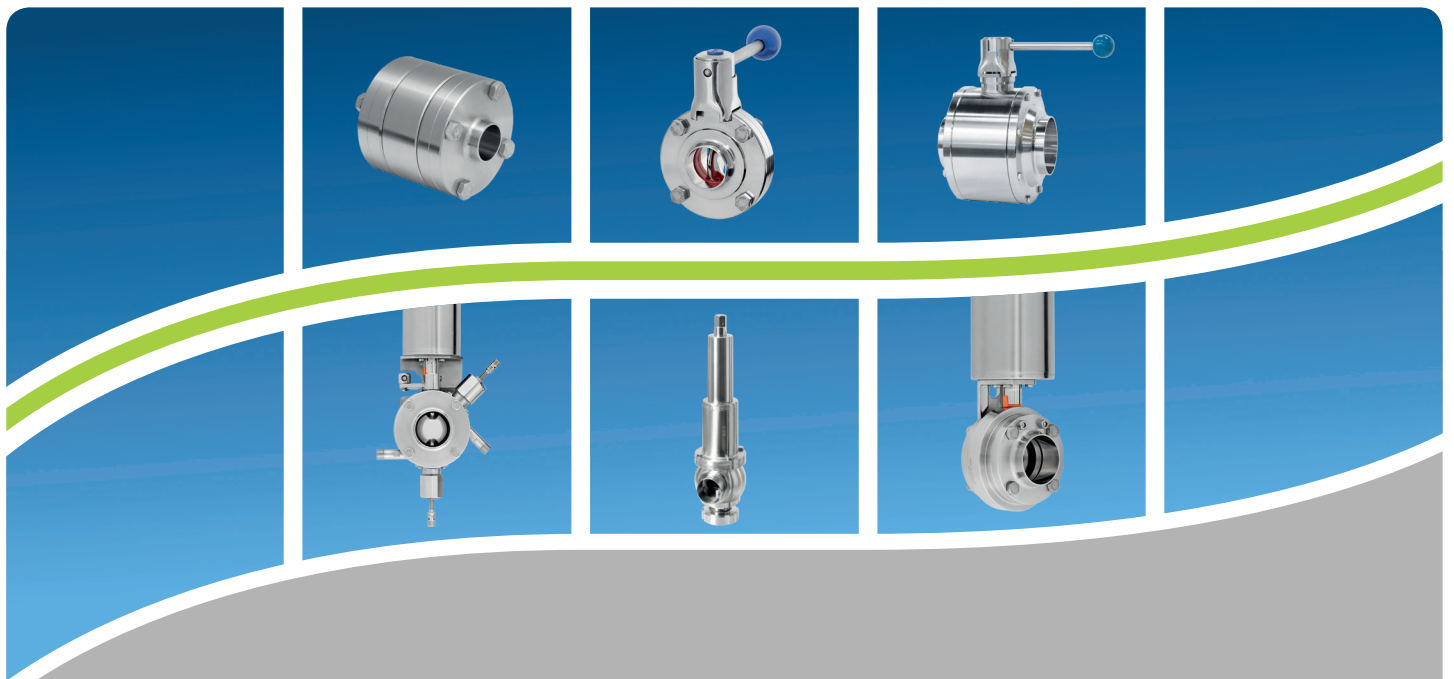


Valve Technology



Contents

Table of Contents

	Page
Contents	3
Tried and Tested Valves for Any Occasion	4
Overview of Handles and Accessories	6
Overview of Actuators and Accessories	7
Overview of Butterfly Valves and Leakage Butterfly Valve Variants	8
Configuration Example of Butterfly Valve	9
Technical Data, Butterfly Valves and Pneumatic Actuators	12
Butterfly Valves	14
Configuration Example T-Butterfly Valve and Switching Combination	28
T-Butterfly Valves and Switching Combinations	30
Seals, valve disks, Bushings and RFID Blanking Plugs	36
Handles and Accessories	40
Actuators and Accessories	46
Inductive Sensor and Mechanical Limit Switches	76
Valve Igel	78
Exploded ViewLeakage Butterfly Valve and Accessories	79
Leakage Butterfly Valves and Accessories	80
Safety Valve	88
Ball Valves and Accessories	106
Vent and Exhaust Valves and Accessories	114
Ball Cocks and Vacuum Valve	116
Non-Return Valves	118
Sampling Valves and Accessories	124

* An asterisk in the pricing column means: on request

Tried and Tested Valves for Any Occasion

ATEX Directive 2014/34/EU

Armaturenwerk Hötensleben GmbH is using the revised catalog to present its proven and expanded range of valves. Specifically with the butterfly valve, we are describing the AWH product with its versatile variants and accessories.

ATEX butterfly valves:

Definition:

As a rule, all electronic and non-electronic components which are deployed in accordance with their intended use in explosion-hazard spaces must be tested pursuant to ATEX Directive 2014/34/EU.

Subsequent to the conformity evaluation, first of all an ATEX analysis is performed which includes an ignition hazard assessment (in accordance with DIN EN ISO 80079-36, Non-electrical equipment for use in potentially explosive atmospheres, Part 1: Basic method and requirements).

If this assessment reveals that no danger of ignition exists or if the definitions for equipment and components pursuant to Directive 2014/34/EU do not apply, then it can be determined that an application of the Directive is not required.

AWH butterfly valve:

With butterfly valves, a distinction is made between the inner and outer areas. When the product is inside the pipe, this is called the inner area. Manual operation or the actuator is assigned to the outer area.

Inner Area:

According to the expert report, the butterfly valve in ATEX design can be used in the area coming into contact with the product (inside the pipe) for the following ATEX zones:

When an EPDM, FKM and HNBR butterfly valve gasket are used, there is no restriction for the zones nor for the hazard class. Up to DN150 VMQ, there is no restriction for the zones nor the hazard class. The DN200 VMQ butterfly valve gasket is permitted to be used in Zone 0 and in the Hazard Classes IIA, IIB and in Zone 20. The use of this gasket for Explosion Group II C is not permitted. The seals installed in these butterfly valves have been inspected for electrostatic charge in accordance with DIN EN ISO 80079-36.

Outer area:

The handle is not equipment pursuant to the Directive and it is therefore subject to no limitations.

The pneumatic actuators (Air/Spring and Air/Air for the nominal widths DN10 - DN100, and for DN125 - DN200) have been investigated accordingly pursuant to the ATEX Directive and are



II 2 G Ex h IIB (T4) Gb $5^{\circ}\text{C} \leq T_a \leq 40^{\circ}\text{C}$
II 2 D Ex h IIIC T135 $^{\circ}\text{C}$ Db $5^{\circ}\text{C} \leq T_a \leq 40^{\circ}\text{C}$

These are permitted to be used in Zone 1 and Zone 21 operating establishments. For these applications, we also offer corresponding responses with approvals for Zones "1", "2" or "22" as accessories.

In contrast to the standard program, the components are identified with "ex" and are always equipped with a conductive bushing!

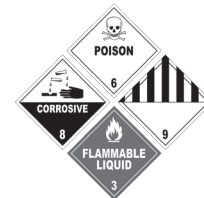
TA-Air certifies AWH butterfly valves and Connections

In accordance with the precautionary principle, we are all under obligation to avoid all hazardous environmental effects and as a precautionary measures to do everything we can to ensure that no contaminations and damage occurs in the environment. This is regulated in a technical instruction, also known as TA-Luft (TA-Air). This is a central administrative regulation for the application of the emission protection law for which compliance is mandatory. AWH valves and Connections have been tested by an independent institute pursuant to the VDI2440 and correspond in their entirety to the requirements of TA-Air. Ensure even as early as the planning stages that only components in compliance with TA-Air are used in your systems. The declared objective of Armaturenwerk Hötensleben GmbH is to comply with this basic principle and thus to make a contribution towards more environmental protection in your company.

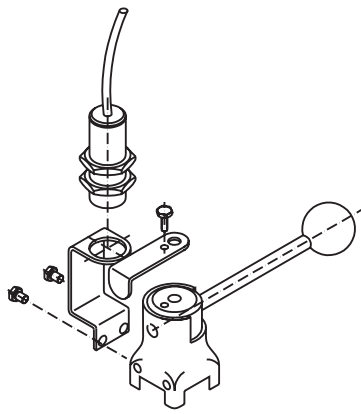


Valves for Transportation of Dangerous Substances acc. to DIN EN 14432

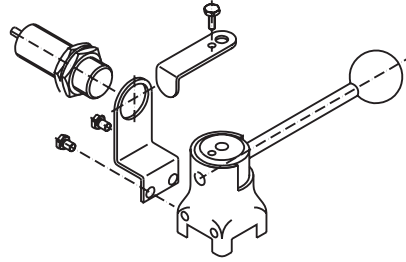
The tried-and-tested AWH butterfly valve is also available as a type-tested valve in accordance with DIN EN 14432. This certification means that the valve is extremely well-suited for use in tankers and containers that are used to transport dangerous substances and liquid chemical products by road, rail or water. Depending on the application requirements, AWH valves can be supplied with either hand actuation or a pneumatic actuator.



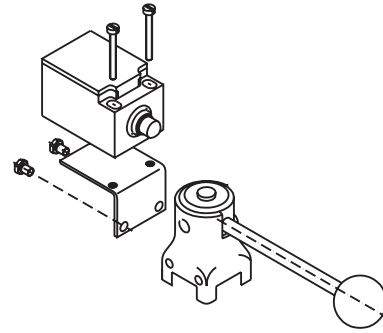
Overview of Handles and Accessories



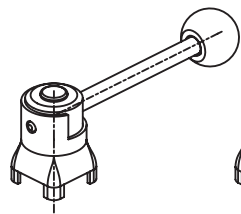
Proximity Initiator
(installation position vertical)



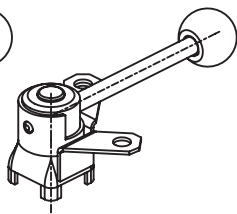
Proximity Initiator
(installation position horizontal)



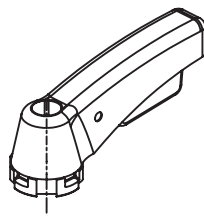
Mechanical Limit Switch



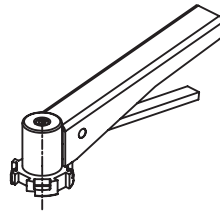
Standard Handle with Ball



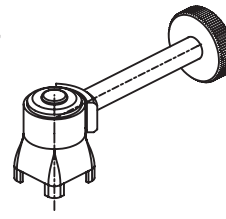
Standard Handle with ball, lockable



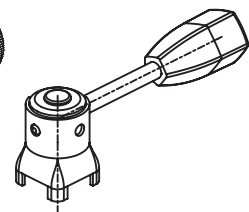
Plastic Handle



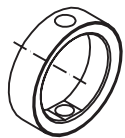
Scissor Handle



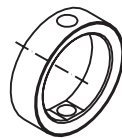
Handle, stepless



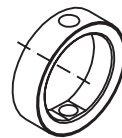
Pentagon Handle



Standard VMQ



FKM

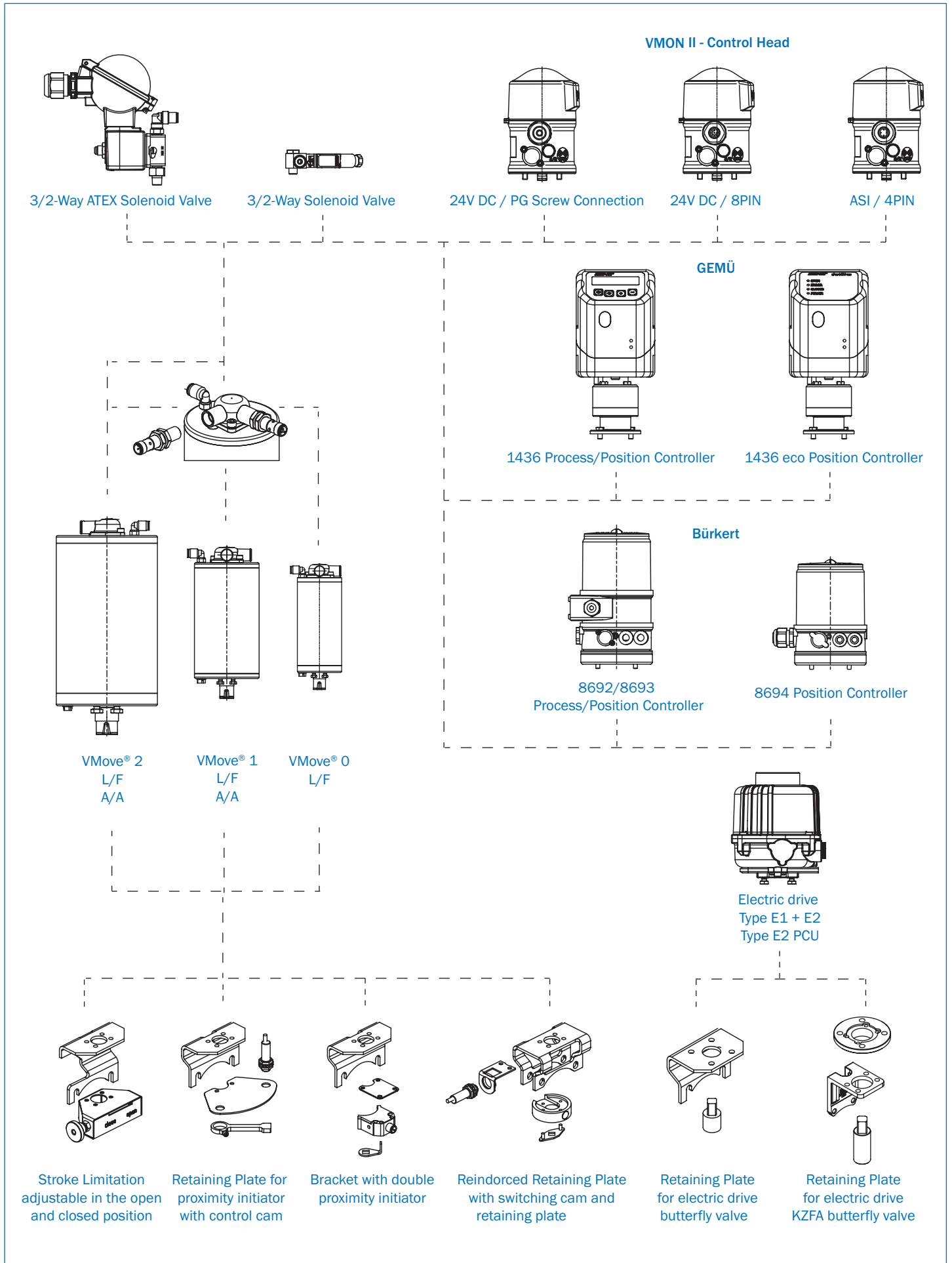


EPDM



HNBR

Overview of Actuators and Accessories

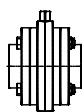


Overview of Butterfly Valves and Leakage Butterfly Valve Variants

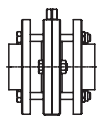
for pipe acc. to DIN EN 10357, Series A



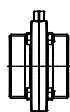
Weld/Weld



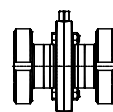
Compact Intermediate Flange Butterfly Valve



Intermediate Flange Butterfly Valve



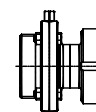
Thread/Thread



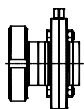
Cone/Cone



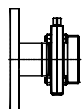
Thread/Weld



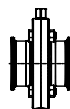
Thread/Cone



Cone/Weld



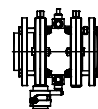
Flange/Thread



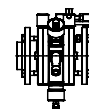
Clamp/Clamp



Ground Drain Valve

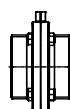


Leakage Butterfly Valve, manually actuated intermediate flange



Leakage Butterfly Valve, pneumatic intermediate flange

Connections acc. to DIN 11864



Thread/Thread



Thread/Weld

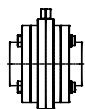


Collar/Thread

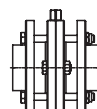
for pipe acc. to DIN EN 10357, Series D Range B



Weld/Weld



Compact intermediate flange Butterfly Valve



Intermediate flange Butterfly Valve



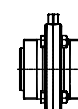
Clamp/Clamp



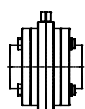
Thread/Weld



IDF thread/thread



RJT thread/thread



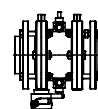
SMS Compact Intermediate Flange Butterfly Valve



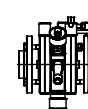
SMS thread/thread



SMS Thread/Weld



Leakage Butterfly Valve, manually actuated intermediate flange

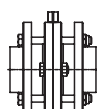


Leakage Butterfly Valve, pneumatic intermediate flange

for pipe acc. to DIN EN 10357, Series C

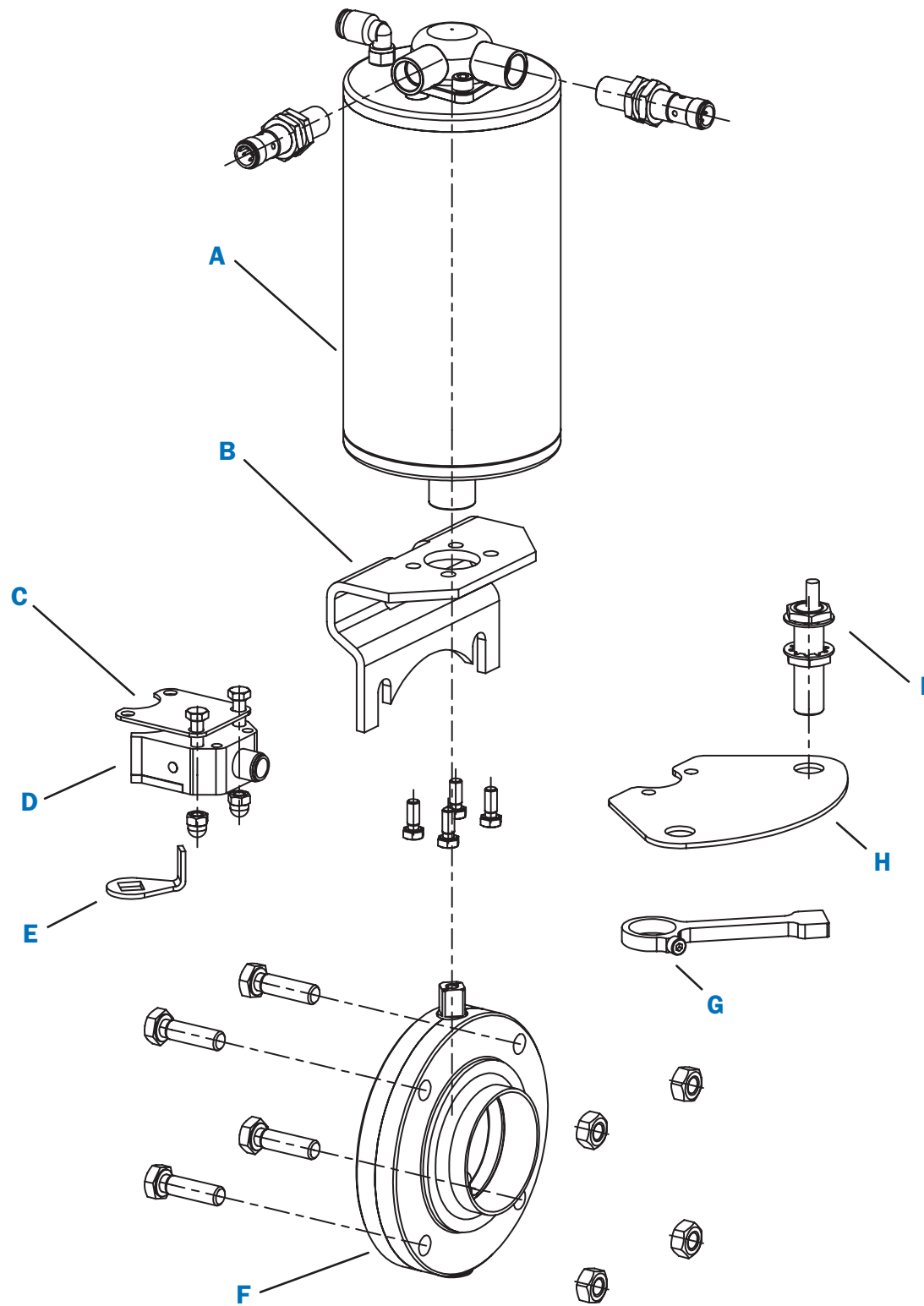


Weld/Weld



Intermediate Flange Butterfly Valve

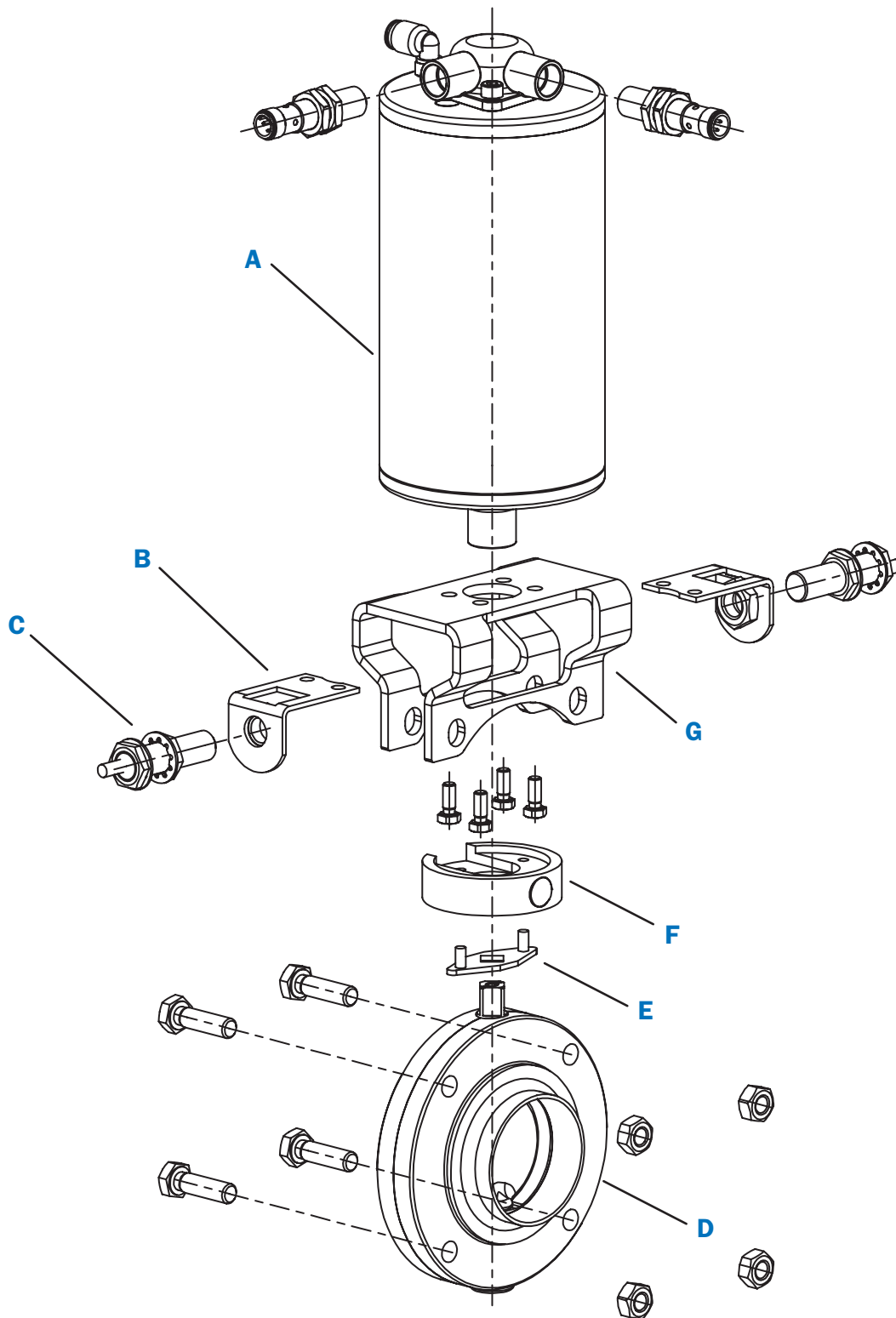
Configuration Example of Butterfly Valve



A Pneumatic actuator version VMove®
B Retaining plate
C Retaining plate for double inductive sensor
D Double inductive sensor
E Switching cam

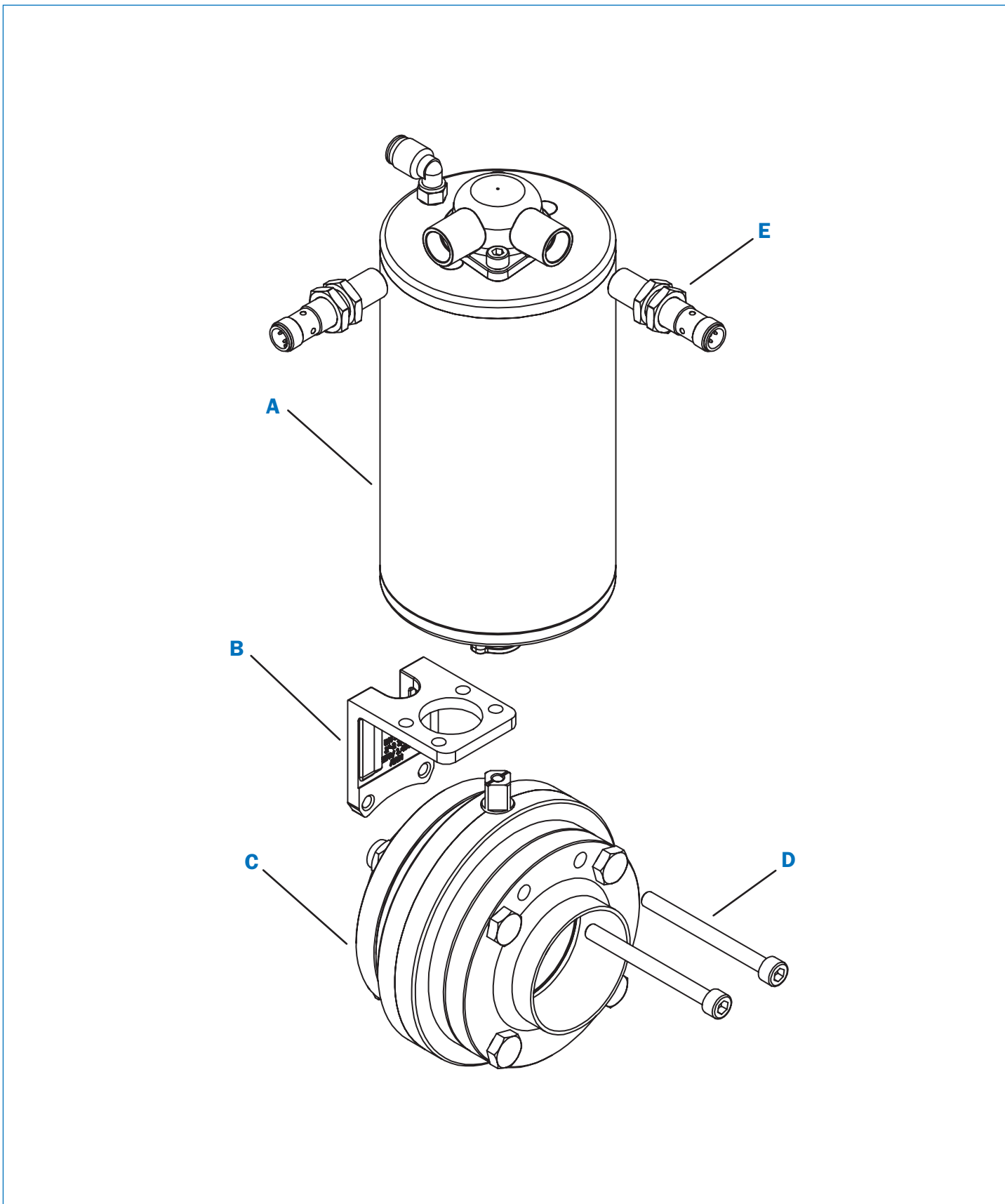
F Butterfly valve
G Control cam
H Retaining plate for inductive sensor
I Inductive sensor

Configuration Example of Butterfly Valve



A Pneumatic actuator version VMove®
B Retaining plate for inductive sensor
C Inductive sensor
D Butterfly valve

E Position indicator for reinforced retaining bracket
F Switching cams for reinforced retaining bracket
G Retaining plate, reinforced



A Pneumatic actuator version VMove®

B Retaining plate for compact intermediate flange butterfly valve

C Compact Intermediate Flange Butterfly Valve

D Fixing screws for Retaining Plate

E Inductive sensor

Technical Data, Butterfly Valves and Pneumatic Actuators

Technical Parameters for Butterfly Valve

Materials:	1.4301 (304), 1.4307 (304L), 1.4404 (316L)		
Materials (optional*):	1.4529 (AL6XN), 1.4539 (904L), 2.4602 (Hastelloy C22)		
Surface (standard):	in contact with product $Ra \leq 0.8 \mu\text{m}$ precision-turned outside		
Surface (optional*):	in contact with product $Ra \leq 0.4 \mu\text{m}$ additionally electropolished		
Operating temperature:	max. value depends on respective sealing material		
Operating pressure:	is max. 10 bar with NW 25 to 150 respectively sealing against 10 bar DN200: 6 bar		
Leak tightness:	Leakage rate A tight according to DIN EN 12266-1		
Service life of the pneumatic actuator (in standard liters)	DN10 - 20 0.6 - 1.7	DN25 - 100 0.3 - 3.1	DN125 - 200 3.2 - 8.8

* for selected models

Kv value

The Kv value describes the rate of flow in m^3/h of water at 5 - 30 °C with a pressure loss of $\Delta p = 1 \text{ bar}$.

DN	10	15	20	25	32	40	50	65	80	100	125	150	200	1"	1 1/2"	2"	2 1/2"	3"	4"
Kv	1	9	9	19	37	60	136	310	465	785	1370	2070	3900	10	51	132	248	397	800

For this, $\Delta p = p_1 - p_2$

when: p_1 = pressure at the valve inlet
 p_2 = pressure at the valve outlet
and one with a valve disk opened 90°

Description of Pneumatic Actuators

AWH has a wide range of actuators for any application!

AWH offers a wide assortment of pneumatic actuators for AWH butterfly valves. Robust and compact, highly reliable and with an ideal torque curve for any application, even at high process temperatures.

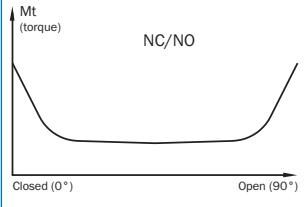
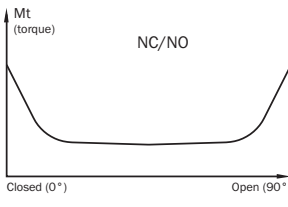
Type Actuator	VMove® 0	VMove® 1	VMove® 2
Square	9.5	9.5	14
Butterfly Valve	DN10 - DN20 (40)	DN25 - DN100	DN125 - DN200
T-butterfly valve		DN25	
Leakage butterfly valve		DN25 - DN100	DN125 - DN150
Ball valve		DN32 - DN65	DN80 - DN100

The torque for opening/closing the valve is determined essentially by the size, the sealing material, the product and the media temperature. Given that the volume of an elastomer changes approximately ten times more than steel when exposed to temperature changes, an increase in torque is also connected with an increase in temperature.

The elastomers of the butterfly valve gaskets contain the surface friction-reducing substances. The torque will also become less when products are conveyed that have lubricating effects (milk). Cleaning agents wash out the lubricating substances on the sealing surface and lead to an increase of the torque. AWH butterfly valves are designed in such a way that they can be switched at the maximum permitted operating temperature by AWH actuators. The actuators have torque characteristic curves which are adapted to the torque sequences of the butterfly valves.

The media pressure, on the other hand, has no influence on the switching behavior. High flow rates support the closing used for the actuation of the butterfly valve. Here the speed of the switching must be lowered with suitable means (throttle check valves in the compressed air line).

Technical Data, Butterfly Valves and Pneumatic Actuators

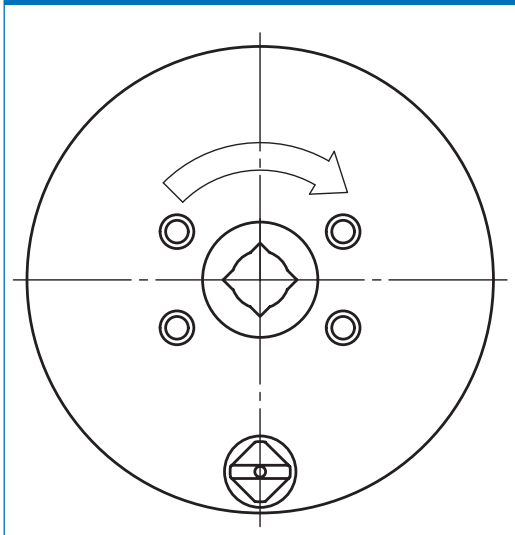
Type	NC-NO	Air/Air
Functional principle	LO/FS	
Torque curve		
Compressed Air Connection	5 - 10 bar	3 - 6 bar
Special features	This actuator has united the torque characteristics of NC and NO. The maximum torque is available in both end positions	Due to its design, the air/air variant has a very high torque at very low pressure. Typical usage with T-Butterfly Valves.

Limitations with respect to permitted air pressures exist for the actuators with control heads/position controllers. Here the max. air pressure is reduced by the pilot valves to 7 bar.

AWH actuators with an L/F function are available with clockwise rotation. Clockwise rotation means: When looking from below at the actuator shaft, the actuator shaft turns clockwise (to the right) after compressed air is supplied.

Standard: Clockwise

View of the actuator shaft from below

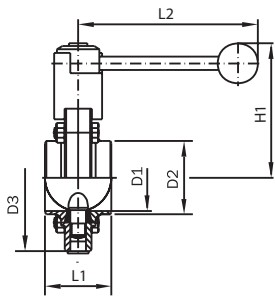


Notes:

The position indication must be monitored accordingly. Leakage butterfly valves can be actuated only with actuators turning clockwise!

The Air/Air actuator requires compressed air for each switching procedure. This must always be ready and available in this Connection, otherwise the butterfly valve can switch automatically through the product flow. If the compressed air fails, it will not be possible to define the valve position precisely.

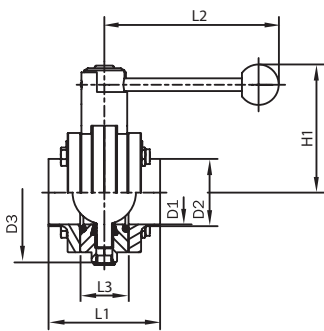
Butterfly Valves



Attention: DN10 to DN20
only with plastic Handle

Butterfly Valve Weld/Weld DIN

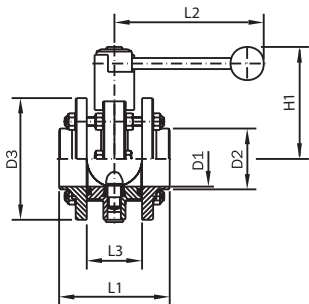
DN DIN	L1	L2	H1	D1	D2	D3	Weight [kg]
10	40	105	79	10	13	58	0.6
15	40	105	79	16	19	58	0.6
20	40	105	79	20	23	58	0.6
25	40	107	90	26	29	87	1.3
32	42	107	92	32	35	92	1.4
40	50	137	94	38	41	97	1.5
50	50	137	101	50	53	110	1.8
65	50	137	110	66	70	127	2.2
80	60	167	123	81	85	142	4.0
100	64	167	134	100	104	162	4.8
125	112	248	168	125	129	200	8.1
150	124	248	183	150	154	230	10.3



Attention: DN10 to DN20
only with plastic Handle

Compact Intermediate Flange Butterfly Valve DIN

DN DIN	L1	L3	L2	H1	D1	D2	D3	Weight [kg]
10	80	40	105	79.5	10	13	58	1.1
15	80	40	105	79.5	16	19	58	1.0
20	80	40	105	79.5	20	23	58	0.9
25	78	38	107.5	90	26	29	78	2.4
32	78	38	107.5	92.5	32	35	78	2.5
40	88	38	137.5	94.5	38	41	97	2.6
50	88	38	137.5	101	50	53	110	3.1
65	88	38	137.5	110	66	70	127	3.7
80	105	45	171	124.5	81	85	142	6.1
100	105	45	171	135	100	104	162	7.6
125	168	88	217	161	125	129	200	16.4
150	168	88	217	175	150	154	230	19.9
200	112	56	277	220	200	204	316	28.5



Attention: DN10 to DN20
only with plastic Handle

Intermediate Flange Butterfly Valve DIN

DN DIN	L1	L3	L2	H1	D1	D2	D3	Weight [kg]
10	80	40	105	79	10	13	58	0.6
15	80	40	105	79	16	19	58	0.6
20	80	40	105	79	20	23	58	0.6
25	90	50	107	90	26	31	87	2.4
32	90	50	107	92	32	37	92	2.6
40	100	50	137	94	38	43	97	2.8
50	100	50	137	101	50	55	110	3.4
65	100	50	137	110	66	70	127	4.1
80	136	76	167	123	81	85	142	7.4
100	136	76	167	134	100	104	162	8.8
125	168	88	248	168	125	129	200	15.1
150	168	88	248	183	150	154	230	18.4
200	112	56	276	220	200	204	274	26.2

Butterfly Valves

Butterfly Valve Weld/Weld DIN

manually actuated 1.4301 (304) Silicone		manually actuated 1.4404 (316L) Silicone		Air/Spring 1.4301 (304) Silicone		Air/Spring 1.4404 (316L) Silicone		Air/Air 1.4301 (304) Silicone		Air/Air 1.4404 (316L) Silicone		
DN DIN	Price/EUR	Article No.	Price/EUR	Article No.	Price/EUR	Article No.	Price/EUR	Article No.	Price/EUR	Article No.	Price/EUR	Article No.
10	88.60	3002 0106 1	112.85	3002 0106 2	305.35	3002 0152 1	329.65	3002 0152 2				
15	88.60	3002 0306 1	112.85	3002 0306 2	305.35	3002 0352 1	329.65	3002 0352 2				
20	88.60	3002 0406 1	112.85	3002 0406 2	305.35	3002 0452 1	329.65	3002 0452 2				
25	74.24	3002 0501 1	96.61	3002 0501 2	277.86	3002 0552 1	300.23	3002 0552 2	263.95	3002 0554 1	286.32	3002 0554 2
32	79.43	3002 0601 1	102.87	3002 0601 2	283.05	3002 0652 1	306.49	3002 0652 2	269.14	3002 0654 1	292.59	3002 0654 2
40	78.53	3002 0701 1	103.97	3002 0701 2	282.16	3002 0752 1	307.59	3002 0752 2	268.25	3002 0754 1	293.69	3002 0754 2
50	84.13	3002 0801 1	109.11	3002 0801 2	287.76	3002 0852 1	312.89	3002 0852 2	273.85	3002 0854 1	298.98	3002 0854 2
65	103.20	3002 0901 1	133.78	3002 0901 2	306.83	3002 0952 1	337.40	3002 0952 2	292.92	3002 0954 1	323.49	3002 0954 2
80	148.07	3002 1001 1	192.35	3002 1001 2	341.59	3002 1052 1	385.87	3002 1052 2	327.69	3002 1054 1	371.96	3002 1054 2
100	183.48	3002 1201 1	238.70	3002 1201 2	377.00	3002 1252 1	432.22	3002 1252 2	363.09	3002 1254 1	418.31	3002 1254 2
125	407.86	3002 1301 1	530.62	3002 1301 2	956.14	3002 1352 1	1078.90	3002 1352 2	895.55	3002 1354 1	1018.31	3002 1354 2
150	592.56	3002 1501 1	766.61	3002 1501 2	1144.17	3002 1552 1	1318.21	3002 1552 2	1083.58	3002 1554 1	1257.62	3002 1554 2

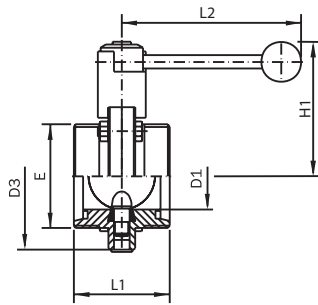
Compact Intermediate Flange Butterfly Valve DIN

manually actuated 1.4301 (304) Silicone			manually actuated 1.4404 (316L) Silicone		VMove® air/spring 1.4301 (304) Silicone		VMove® air/spring 1.4404 (316L) Silicone	
DN DIN	Price/EUR	Article No.	Price/EUR	Article No.	Price/EUR	Article No.	Price/EUR	Article No.
10	176.85	3255 1100 01010	210.10	3255 1100 01030	393.60	3255 2100 01010	426.85	3255 2100 01030
15	176.85	3255 1100 01510	210.10	3255 1100 01530	393.60	3255 2100 01510	426.85	3255 2100 01530
20	176.85	3255 1100 02010	210.10	3255 1100 02030	393.60	3255 2100 02010	426.85	3255 2100 02030
25	131.22	3255 1100 02510	171.13	3255 1100 02530	334.85	3255 2100 02510	374.75	3255 2100 02530
32	138.00	3255 1100 03210	179.69	3255 1100 03230	341.62	3255 2100 03210	383.32	3255 2100 03230
40	140.84	3255 1100 04010	183.12	3255 1100 04030	344.46	3255 2100 04010	386.74	3255 2100 04030
50	146.56	3255 1100 05010	191.25	3255 1100 05030	350.18	3255 2100 05010	394.87	3255 2100 05030
65	185.27	3255 1100 06510	241.18	3255 1100 06530	388.89	3255 2100 06510	444.80	3255 2100 06530
80	266.54	3255 1100 08010	322.14	3255 1100 08030	460.06	3255 2100 08010	515.66	3255 2100 08030
100	324.85	3255 1100 10010	422.66	3255 1100 10030	518.37	3255 2100 10010	616.18	3255 2100 10030
125	937.91	3255 1100 12510	1218.56	3255 1100 12530	1486.20	3255 2100 12510	1766.85	3255 2100 12530
150	1335.11	3255 1100 15010	1734.46	3255 1100 15030	1845.30	3255 2100 15010	2286.06	3255 2100 15030
200	2820.05	3255 1100 20010	3384.10	3255 1100 20030	3370.05	3255 2100 20010	3934.10	3255 2100 20030

Intermediate Flange Butterfly Valve DIN

manually actuated 1.4301 (304) Silicone			manually actuated 1.4404 (316L) Silicone		Air/Spring 1.4301 (304) Silicone		Air/Spring 1.4404 (316L) Silicone		Air/Air 1.4301 (304) Silicone		Air/Air 1.4404 (316L) Silicone	
DN DIN	Price/EUR	Article No.	Price/EUR	Article No.	Price/EUR	Article No.	Price/EUR	Article No.	Price/EUR	Article No.	Price/EUR	Article No.
10	176.85	3202 0106 1	210.10	3202 0106 2	393.60	3202 0152 1	426.85	3202 0152 2				
15	176.85	3202 0306 1	210.10	3202 0306 2	393.60	3202 0352 1	426.85	3202 0352 2				
20	176.85	3202 0406 1	210.10	3202 0406 2	393.60	3202 0452 1	426.85	3202 0452 2				
25	131.22	3202 0501 1	171.13	3202 0501 2	334.85	3202 0552 1	374.75	3202 0552 2	320.94	3202 0554 1	360.84	3202 0554 2
32	138.00	3202 0601 1	179.69	3202 0601 2	341.62	3202 0652 1	383.32	3202 0652 2	327.71	3202 0654 1	369.41	3202 0654 2
40	140.84	3202 0701 1	183.12	3202 0701 2	344.46	3202 0752 1	386.74	3202 0752 2	330.55	3202 0754 1	372.83	3202 0754 2
50	146.56	3202 0801 1	191.25	3202 0801 2	350.18	3202 0852 1	394.87	3202 0852 2	336.28	3202 0854 1	380.96	3202 0854 2
65	185.27	3202 0901 1	241.18	3202 0901 2	388.89	3202 0952 1	444.80	3202 0952 2	374.98	3202 0954 1	430.89	3202 0954 2
80	266.54	3202 1001 1	322.14	3202 1001 2	460.06	3202 1052 1	515.66	3202 1052 2	446.15	3202 1054 1	501.76	3202 1054 2
100	324.85	3202 1201 1	422.66	3202 1201 2	518.37	3202 1252 1	616.18	3202 1252 2	504.47	3202 1254 1	602.28	3202 1254 2
125	937.91	3202 1301 1	1218.56	3202 1301 2	1486.20	3202 1352 1	1766.85	3202 1352 2	1425.61	3202 1354 1	1706.26	3202 1354 2
150	1335.11	3202 1501 1	1734.46	3202 1501 2	1845.30	3202 1552 1	2286.06	3202 1552 2	1826.13	3202 1554 1	2225.47	3202 1554 2
200	2820.05	3202 2001 1	3384.10	3202 2001 2	3370.05	3202 2052 1	3934.10	3202 2052 2	3309.21	3202 2054 1	3873.26	3202 2054 2

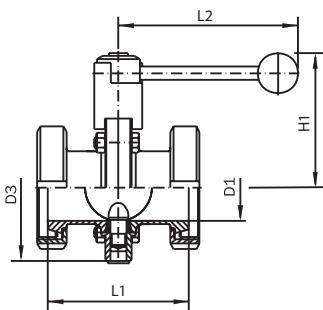
Butterfly Valves



Attention: DN10 to DN20
only with plastic Handle

Butterfly Valve Thread/Thread DIN

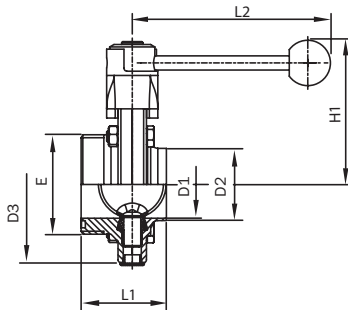
DN DIN	L1	L2	H1	D1	D3	E	Weight [kg]
10	78	105	79	10	58	Rd 28 x 1/8"	0.8
15	78	105	79	16	58	Rd 34 x 1/8"	0.8
20	78	105	79	20	58	Rd 44 x 1/6"	0.8
25	64	107	90	26	87	Rd 52 x 1/6"	1.7
32	64	107	92	32	92	Rd 58 x 1/6"	1.8
40	72	137	94	38	97	Rd 65 x 1/6"	2.0
50	72	137	101	50	110	Rd 78 x 1/6"	2.4
65	76	137	110	66	127	Rd 95 x 1/6"	3.1
80	100	167	123	81	142	Rd 110 x 1/4"	5.2
100	104	167	134	100	162	Rd 130 x 1/4"	6.5
125	112	248	168	125	200	Rd 160 x 1/4"	10.2
150	124	248	183	150	230	Rd 190 x 1/4"	13.9



Attention: DN10 to DN20
only with plastic Handle

Butterfly Valve Cone/Cone DIN

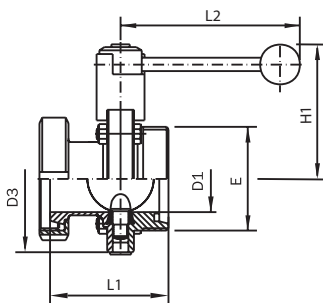
DN DIN	L1	L2	H1	D1	D3	Weight [kg]
10	74	105	79	10	58	0.6
15	74	105	79	16	58	0.6
20	76	105	79	20	58	0.6
25	84	107	90	26	87	2.0
32	92	107	92	32	92	2.2
40	102	137	94	38	97	2.6
50	106	137	101	50	110	3.5
65	114	137	110	66	127	4.3
80	134	167	123	81	142	7.3
100	152	167	134	100	162	9.9
125	180	248	168	125	200	11.8
150	198	248	183	150	230	15.2



Attention: DN10 to DN20
only with plastic Handle

Butterfly Valve Thread/Weld DIN

DN DIN	L1	L2	H1	D1	D2	D3	E	Weight [kg]
10	59	105	79	10	13	58	Rd 28 x 1/8"	0.7
15	59	105	79	16	19	58	Rd 34 x 1/8"	0.7
20	59	105	79	20	23	58	Rd 44 x 1/6"	0.7
25	52	107	90	26	29	87	Rd 52 x 1/6"	1.5
32	53	107	92	32	35	92	Rd 58 x 1/6"	1.6
40	61	137	94	38	41	97	Rd 65 x 1/6"	1.8
50	61	137	101	50	53	110	Rd 78 x 1/6"	2.1
65	63	137	110	66	70	127	Rd 95 x 1/6"	2.6
80	80	167	123	81	85	142	Rd 110 x 1/4"	4.6
100	84	167	134	100	104	162	Rd 130 x 1/4"	5.6
125	112	248	168	125	129	200	Rd 160 x 1/4"	9.2
150	124	248	183	150	154	230	Rd 190 x 1/4"	12.2



Attention: DN10 to DN20
only with plastic Handle

Butterfly Valve Thread/Cone DIN

DN DIN	L1	L2	H1	D1	D3	E	Weight [kg]
10	76	105	79	10	58	Rd 28 x 1/8"	0.7
15	76	105	79	16	58	Rd 34 x 1/8"	0.7
20	76	105	79	20	58	Rd 44 x 1/6"	0.7
25	74	107	90	26	87	Rd 52 x 1/6"	1.8
32	78	107	92	32	92	Rd 58 x 1/6"	1.9
40	87	137	94	38	97	Rd 65 x 1/6"	2.2
50	89	137	101	50	110	Rd 78 x 1/6"	2.7
65	95	137	110	66	127	Rd 95 x 1/6"	3.4
80	117	167	123	81	142	Rd 110 x 1/4"	5.6
100	128	167	134	100	162	Rd 130 x 1/4"	7.1
125	146	248	168	125	200	Rd 160 x 1/4"	11.4
150	161	248	183	150	230	Rd 190 x 1/4"	15.6

Butterfly Valves

Butterfly Valve Thread/Thread DIN

DN DIN	manually actuated 1.4301 (304) Silicone		manually actuated 1.4404 (316L) Silicone		Air/Spring 1.4301 (304) Silicone		Air/Spring 1.4404 (316L) Silicone		Air/Air 1.4301 (304) Silicone		Air/Air 1.4404 (316L) Silicone	
	Price/EUR	Article No.	Price/EUR	Article No.	Price/EUR	Article No.	Price/EUR	Article No.	Price/EUR	Article No.	Price/EUR	Article No.
10	103.60	3003 0106 1	127.85	3003 0106 2	320.35	3003 0130 1	344.65	3003 0130 2				
15	103.60	3003 0306 1	127.85	3003 0306 2	320.35	3003 0330 1	344.65	3003 0330 2				
20	103.60	3003 0406 1	127.85	3003 0406 2	320.35	3003 0430 1	344.65	3003 0430 2				
25	80.63	3003 0501 1	104.81	3003 0501 2	284.25	3003 0530 1	308.44	3003 0530 2	270.35	3003 0520 1	294.53	3003 0520 2
32	83.06	3003 0601 1	108.32	3003 0601 2	286.68	3003 0630 1	311.94	3003 0630 2	272.77	3003 0620 1	298.03	3003 0620 2
40	86.25	3003 0701 1	110.46	3003 0701 2	289.88	3003 0730 1	314.09	3003 0730 2	275.97	3003 0720 1	300.18	3003 0720 2
50	92.83	3003 0801 1	119.95	3003 0801 2	296.45	3003 0830 1	323.57	3003 0830 2	282.54	3003 0820 1	309.66	3003 0820 2
65	109.95	3003 0901 1	137.72	3003 0901 2	313.58	3003 0930 1	341.34	3003 0930 2	299.67	3003 0920 1	327.43	3003 0920 2
80	163.56	3003 1001 1	212.65	3003 1001 2	357.09	3003 1030 1	406.17	3003 1030 2	343.18	3003 1020 1	392.26	3003 1020 2
100	198.30	3003 1201 1	257.61	3003 1201 2	391.83	3003 1230 1	451.14	3003 1230 2	377.92	3003 1220 1	437.23	3003 1220 2
125	424.93	3003 1301 1	552.30	3003 1301 2	973.22	3003 1330 1	1100.58	3003 1330 2	912.63	3003 1320 1	1039.99	3003 1320 2
150	624.70	3003 1501 1	798.80	3003 1501 2	1189.65	3003 1530 1	1374.10	3003 1530 2	1129.05	3003 1520 1	1313.50	3003 1520 2

Butterfly Valve Cone/Cone DIN

DN DIN	manually actuated 1.4301 (304) Silicone		manually actuated 1.4404 (316L) Silicone		Air/Spring 1.4301 (304) Silicone		Air/Spring 1.4404 (316L) Silicone		Air/Air 1.4301 (304) Silicone		Air/Air 1.4404 (316L) Silicone	
	Price/EUR	Article No.	Price/EUR	Article No.	Price/EUR	Article No.	Price/EUR	Article No.	Price/EUR	Article No.	Price/EUR	Article No.
10	114.30	3004 0106 1	143.55	3004 0106 2	331.05	3004 0130 1	356.75	3004 0130 2				
15	119.45	3004 0306 1	146.25	3004 0306 2	336.20	3004 0330 1	363.05	3004 0330 2				
20	119.85	3004 0406 1	149.50	3004 0406 2	336.60	3004 0430 1	363.30	3004 0430 2				
25	108.60	3004 0501 1	141.55	3004 0501 2	312.22	3004 0530 1	345.17	3004 0530 2	298.31	3004 0520 1	331.27	3004 0520 2
32	116.55	3004 0601 1	151.39	3004 0601 2	320.17	3004 0630 1	355.02	3004 0630 2	306.26	3004 0620 1	341.11	3004 0620 2
40	118.88	3004 0701 1	154.26	3004 0701 2	322.50	3004 0730 1	357.88	3004 0730 2	308.59	3004 0720 1	343.97	3004 0720 2
50	127.90	3004 0801 1	166.35	3004 0801 2	331.52	3004 0830 1	369.97	3004 0830 2	317.61	3004 0820 1	356.06	3004 0820 2
65	169.98	3004 0901 1	220.93	3004 0901 2	373.60	3004 0930 1	424.55	3004 0930 2	359.69	3004 0920 1	410.64	3004 0920 2
80	295.71	3004 1001 1	318.59	3004 1001 2	489.23	3004 1030 1	512.11	3004 1030 2	475.32	3004 1020 1	498.20	3004 1020 2
100	302.61	3004 1201 1	393.26	3004 1201 2	496.13	3004 1230 1	586.78	3004 1230 2	482.22	3004 1220 1	572.88	3004 1220 2
125	603.35	3004 1301 1	785.01	3004 1301 2	1151.63	3004 1330 1	1333.30	3004 1330 2	1091.05	3004 1320 1	1272.71	3004 1320 2
150	986.84	3004 1501 1	1283.16	3004 1501 2	1538.45	3004 1530 1	1834.77	3004 1530 2	1477.86	3004 1520 1	1774.18	3004 1520 2

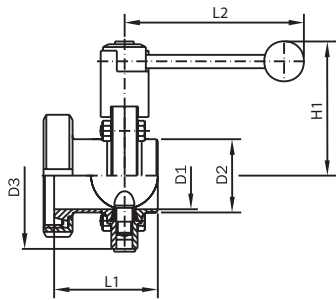
Butterfly Valve Thread/Weld DIN

DN DIN	manually actuated 1.4301 (304) Silicone		manually actuated 1.4404 (316L) Silicone		Air/Spring 1.4301 (304) Silicone		Air/Spring 1.4404 (316L) Silicone		Air/Air 1.4301 (304) Silicone		Air/Air 1.4404 (316L) Silicone	
	Price/EUR	Article No.	Price/EUR	Article No.	Price/EUR	Article No.	Price/EUR	Article No.	Price/EUR	Article No.	Price/EUR	Article No.
10	96.10	3006 0106 1	120.35	3006 0106 2	312.85	3006 0130 1	337.15	3006 0130 2				
15	96.10	3006 0306 1	120.35	3006 0306 2	312.85	3006 0330 1	337.15	3006 0330 2				
20	96.10	3006 0406 1	120.35	3006 0406 2	312.85	3006 0430 1	337.15	3006 0430 2				
25	77.44	3006 0501 1	100.47	3006 0501 2	281.06	3006 0530 1	304.09	3006 0530 2	267.15	3006 0520 1	290.18	3006 0520 2
32	81.12	3006 0601 1	105.51	3006 0601 2	284.74	3006 0630 1	309.13	3006 0630 2	270.83	3006 0620 1	295.22	3006 0620 2
40	81.65	3006 0701 1	106.48	3006 0701 2	285.28	3006 0730 1	310.10	3006 0730 2	271.37	3006 0720 1	296.19	3006 0720 2
50	88.40	3006 0801 1	115.27	3006 0801 2	292.02	3006 0830 1	318.89	3006 0830 2	278.12	3006 0820 1	304.99	3006 0820 2
65	108.16	3006 0901 1	140.53	3006 0901 2	311.76	3006 0930 1	344.15	3006 0930 2	297.88	3006 0920 1	330.24	3006 0920 2
80	159.68	3006 1001 1	207.43	3006 1001 2	353.20	3006 1030 1	400.96	3006 1030 2	339.29	3006 1020 1	387.05	3006 1020 2
100	191.02	3006 1201 1	248.56	3006 1201 2	384.54	3006 1230 1	442.09	3006 1230 2	370.64	3006 1220 1	428.18	3006 1220 2
125	416.40	3006 1301 1	541.46	3006 1301 2	964.68	3006 1330 1	1089.74	3006 1330 2	904.09	3006 1320 1	1029.15	3006 1320 2
150	608.63	3006 1501 1	782.71	3006 1501 2	1166.91	3006 1530 1	1346.16	3006 1530 2	1106.32	3006 1520 1	1285.56	3006 1520 2

Butterfly Valve Thread/Cone DIN

DN DIN	manually actuated 1.4301 (304) Silicone		manually actuated 1.4404 (316L) Silicone		Air/Spring 1.4301 (304) Silicone		Air/Spring 1.4404 (316L) Silicone		Air/Air 1.4301 (304) Silicone		Air/Air 1.4404 (316L) Silicone	
	Price/EUR	Article No.	Price/EUR	Article No.	Price/EUR	Article No.	Price/EUR	Article No.	Price/EUR	Article No.	Price/EUR	Article No.
10	108.95	3005 0106 1	135.70	3005 0106 2	325.70	3005 0130 1	350.70	3005 0130 2				
15	111.53	3005 0306 1	137.05	3005 0306 2	328.28	3005 0330 1	353.85	3005 0330 2				
20	111.73	3005 0406 1	138.68	3005 0406 2	328.48	3005 0430 1	353.98	3005 0430 2				
25	94.46	3005 0501 1	122.56	3005 0501 2	298.08	3005 0530 1	326.18	3005 0530 2	284.18	3005 0520 1	312.27	3005 0520 2
32	99.91	3005 0601 1	129.87	3005 0601 2	303.53	3005 0630 1	333.64	3005 0630 2	289.62	3005 0620 1	319.58	3005 0620 2
40	101.80	3005 0701 1	132.09	3005 0701 2	305.42	3005 0730 1	335.71	3005 0730 2	291.51	3005 0720 1	321.81	3005 0720 2
50	110.36	3005 0801 1	143.83	3005 0801 2	313.98	3005 0830 1	347.45	3005 0830 2	300.08	3005 0820 1	333.54	3005 0820 2
65	140.02	3005 0901 1	182.07	3005 0901 2	343.64	3005 0930 1	385.69	3005 0930 2	329.73	3005 0920 1	371.79	3005 0920 2
80	194.83	3005 1001 1	253.27	3005 1001 2	388.35	3005 1030 1	446.79	3005 1030 2	374.44	3005 1020 1	432.89	3005 1020 2
100	249.05	3005 1201 1	324.31	3005 1201 2	442.57	3005 1230 1	517.84	3005 1230 2	428.67	3005 1220 1	503.62	3005 1220 2
125	500.43	3005 1301 1	650.95	3005 1301 2	1048.71	3005 1330 1	1199.24	3005 1330 2	988.12	3005 1320 1	1138.65	3005 1320 2
150	785.96	3005 1501 1	1016.60	3005 1501 2	1337.57	3005 1530 1	1573.32	3005 1530 2	1276.98	3005 1520 1	1512.73	3005 1520 2

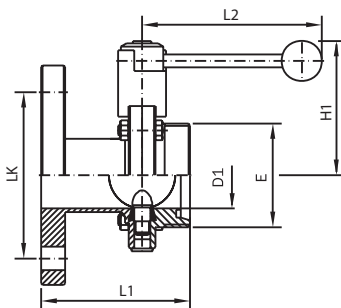
Butterfly Valves



Attention: DN10 to DN20
only with plastic Handle

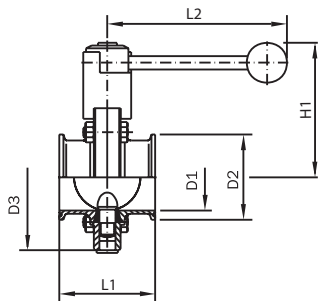
Butterfly Valve Cone/Weld DIN

DN DIN	L1	L2	H1	D1	D2	D3	Weight [kg]
10	57	105	79	10	13	58	0.6
15	57	105	79	16	19	58	0.6
20	57	105	79	20	23	58	0.6
25	62	107	90	26	29	87	1.6
32	67	107	92	32	35	92	1.8
40	76	137	94	38	41	97	2.1
50	78	137	101	50	53	110	2.7
65	82	137	110	66	70	127	3.2
80	97	167	123	81	85	142	5.6
100	108	167	134	100	104	162	7.4
125	146	248	168	125	129	200	10.7
150	161	248	183	150	154	230	13.3



Butterfly Valve Thread/Flange PN 10 DIN

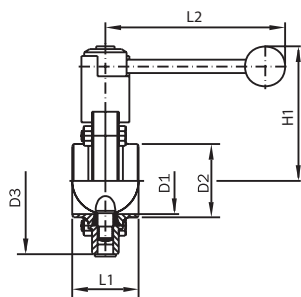
DN DIN	L1	L2	H1	D1	RC	E	Weight [kg]
25	106	107	90	26	85	Rd 52 x 1/6"	2.6
32	106	107	92	32	100	Rd 58 x 1/6"	3.2
40	110	137	94	38	110	Rd 65 x 1/6"	3.6
50	112	137	101	50	125	Rd 78 x 1/6"	4.6
65	122	137	110	66	145	Rd 95 x 1/6"	5.6
80	135	167	123	81	160	Rd 110 x 1/4"	8.0
100	140	167	134	100	180	Rd 130 x 1/4"	9.6
125	167	248	168	125	210	Rd 160 x 1/4"	15.5
150	182	248	183	150	240	Rd 190 x 1/4"	20.0



Attention: DN10 to DN20
only with plastic Handle

Butterfly Valve Clamp/Clamp DIN

DN DIN	L1	L2	H1	D1	D2	D3	Weight [kg]
10	76	105	79	10	34	58	0.6
15	76	105	79	16	34	58	0.6
20	76	105	79	20	34	58	0.6
25	64	107	90	26	50.5	87	1.5
32	64	107	92	32	50.5	92	1.5
40	72	137	94	38	50.5	97	1.7
50	72	137	101	50	64	110	1.9
65	76	137	110	66	91	127	2.4
80	90	167	123	81	106	142	4.4
100	104	167	134	100	119	162	5.2



Butterfly Valve Weld/Weld DIN for ISO pipe

DN ISO	L1	L2	H1	D1	D2	D3	Weight [kg]
33.7	40	107	90	29.7	33.7	87	1.3
42.4	42	107	92	38.4	42.4	92	1.4
48.3	50	137	94	44.3	48.3	97	1.5
60.3	50	137	101	56.3	60.3	110	1.8
76.1	50	137	110	72.1	76.1	127	2.2
88.9	60	167	123	84.3	88.9	142	4.0
114.3	64	167	134	109.7	114.3	162	4.8

Butterfly Valves

Butterfly Valve Cone/Weld DIN

manually actuated 1.4301 (304) Silicone		manually actuated 1.4404 (316L) Silicone		Air/Spring 1.4301 (304) Silicone		Air/Spring 1.4404 (316L) Silicone		Air/Air 1.4301 (304) Silicone		Air/Air 1.4404 (316L) Silicone		
DN DIN	Price/EUR	Article No.	Price/EUR	Article No.	Price/EUR	Article No.	Price/EUR	Article No.	Price/EUR	Article No.	Price/EUR	Article No.
10	101.45	3007 0106 1	128.20	3007 0106 2	318.20	3007 0130 1	343.20	3007 0130 2				
15	104.03	3007 0306 1	129.55	3007 0306 2	320.78	3007 0330 1	346.35	3007 0330 2				
20	104.23	3007 0406 1	131.18	3007 0406 2	320.98	3007 0430 1	346.48	3007 0430 2				
25	91.42	3007 0501 1	118.93	3007 0501 2	295.03	3007 0530 1	322.55	3007 0530 2	281.13	3007 0520 1	308.64	3007 0520 2
32	97.94	3007 0601 1	127.36	3007 0601 2	301.56	3007 0630 1	330.98	3007 0630 2	287.65	3007 0620 1	317.08	3007 0620 2
40	98.70	3007 0701 1	127.36	3007 0701 2	302.33	3007 0730 1	332.80	3007 0730 2	288.42	3007 0720 1	318.89	3007 0720 2
50	105.97	3007 0801 1	137.38	3007 0801 2	309.59	3007 0830 1	341.01	3007 0830 2	295.68	3007 0820 1	327.10	3007 0820 2
65	138.33	3007 0901 1	180.46	3007 0901 2	341.95	3007 0930 1	384.08	3007 0930 2	328.04	3007 0920 1	370.18	3007 0920 2
80	193.83	3007 1001 1	251.91	3007 1001 2	387.35	3007 1030 1	445.44	3007 1030 2	373.45	3007 1020 1	431.53	3007 1020 2
100	244.53	3007 1201 1	317.54	3007 1201 2	438.05	3007 1230 1	511.06	3007 1230 2	424.14	3007 1220 1	497.15	3007 1220 2
125	507.33	3007 1301 1	659.34	3007 1301 2	1055.61	3007 1330 1	1207.62	3007 1330 2	995.03	3007 1320 1	1146.98	3007 1320 2
150	790.61	3007 1501 1	1028.36	3007 1501 2	1342.22	3007 1530 1	1579.97	3007 1530 2	1281.63	3007 1520 1	1519.38	3007 1520 2

Butterfly Valve Thread/Flange PN 10 DIN

manually actuated 1.4301 (304) Silicone		manually actuated 1.4404 (316L) Silicone		Air/Spring 1.4301 (304) Silicone		Air/Spring 1.4404 (316L) Silicone		Air/Air 1.4301 (304) Silicone		Air/Air 1.4404 (316L) Silicone		
DN DIN	Price/EUR	Article No.	Price/EUR	Article No.	Price/EUR	Article No.	Price/EUR	Article No.	Price/EUR	Article No.	Price/EUR	Article No.
25	123.07	3012 0501 1	159.60	3012 0501 2	326.69	3012 0530 1	363.22	3012 0530 2	312.78	3012 0520 1	349.31	3012 0520 2
32	156.51	3012 0601 1	203.16	3012 0601 2	360.13	3012 0630 1	406.78	3012 0630 2	346.22	3012 0620 1	392.88	3012 0620 2
40	149.07	3012 0701 1	193.63	3012 0701 2	352.69	3012 0730 1	397.25	3012 0730 2	338.78	3012 0720 1	383.34	3012 0720 2
50	163.64	3012 0801 1	213.13	3012 0801 2	367.26	3012 0830 1	416.75	3012 0830 2	353.35	3012 0820 1	402.85	3012 0820 2
65	202.98	3012 0901 1	263.95	3012 0901 2	406.60	3012 0930 1	467.58	3012 0930 2	392.70	3012 0920 1	453.67	3012 0920 2
80	276.99	3012 1001 1	360.15	3012 1001 2	470.52	3012 1030 1	553.68	3012 1030 2	456.61	3012 1020 1	539.77	3012 1020 2
100	341.65	3012 1201 1	444.03	3012 1201 2	535.17	3012 1230 1	637.56	3012 1230 2	521.26	3012 1220 1	623.65	3012 1220 2
125	655.25	3012 1301 1	851.76	3012 1301 2	1203.53	3012 1330 1	1400.04	3012 1330 2	1142.94	3012 1320 1	1339.46	3012 1320 2
150	1024.78	3012 1501 1	1334.01	3012 1501 2	1576.39	3012 1530 1	1885.62	3012 1530 2	1515.80	3012 1520 1	1825.03	3012 1520 2

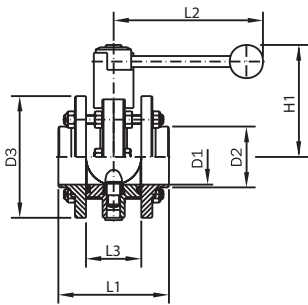
Butterfly Valve Clamp/Clamp DIN

manually actuated 1.4301 (304) Silicone		manually actuated 1.4404 (316L) Silicone		Air/Spring 1.4301 (304) Silicone		Air/Spring 1.4404 (316L) Silicone		Air/Air 1.4301 (304) Silicone		Air/Air 1.4404 (316L) Silicone		
DN DIN	Price/EUR	Article No.	Price/EUR	Article No.	Price/EUR	Article No.	Price/EUR	Article No.	Price/EUR	Article No.	Price/EUR	Article No.
10	117.85	3009 0106 1	145.10	3009 0106 2	334.60	3009 0130 1	361.90	3009 0130 2				
15	117.85	3009 0306 1	145.10	3009 0306 2	334.60	3009 0330 1	361.90	3009 0330 2				
20	117.85	3009 0406 1	145.10	3009 0406 2	334.60	3009 0430 1	361.90	3009 0430 2				
25	87.89	3009 0501 1	114.45	3009 0501 2	291.51	3009 0530 1	318.07	3009 0530 2	277.61	3009 0520 1	304.17	3009 0520 2
32	90.70	3009 0601 1	117.88	3009 0601 2	294.84	3009 0630 1	321.12	3009 0630 2	280.03	3009 0620 1	307.72	3009 0620 2
40	93.13	3009 0701 1	120.97	3009 0701 2	296.75	3009 0730 1	324.59	3009 0730 2	282.85	3009 0720 1	310.69	3009 0720 2
50	101.90	3009 0801 1	132.30	3009 0801 2	305.52	3009 0830 1	335.92	3009 0830 2	291.62	3009 0820 1	322.01	3009 0820 2
65	120.69	3009 0901 1	157.78	3009 0901 2	324.31	3009 0930 1	361.41	3009 0930 2	310.41	3009 0920 1	347.50	3009 0920 2
80	181.20	3009 1001 1	234.96	3009 1001 2	374.73	3009 1030 1	428.49	3009 1030 2	360.82	3009 1020 1	409.98	3009 1020 2
100	229.65	3009 1201 1	318.23	3009 1201 2	423.17	3009 1230 1	511.75	3009 1230 2	409.26	3009 1220 1	497.84	3009 1220 2

Butterfly Valve Weld/Weld DIN for ISO pipe

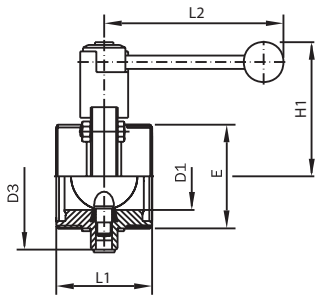
manually actuated 1.4301 (304) Silicone		manually actuated 1.4404 (316L) Silicone		Air/Spring 1.4301 (304) Silicone		Air/Spring 1.4404 (316L) Silicone		Air/Air 1.4301 (304) Silicone		Air/Air 1.4404 (316L) Silicone		
DN ISO	Price/EUR	Article No.	Price/EUR	Article No.	Price/EUR	Article No.	Price/EUR	Article No.	Price/EUR	Article No.	Price/EUR	Article No.
33.7	82.60	3002 7901 1	107.22	3002 7901 2	286.22	3002 7930 1	310.84	3002 7930 2	272.31	3002 7920 1	296.93	3002 7920 2
42.4	88.25	3002 8001 1	114.53	3002 8001 2	291.87	3002 8030 1	318.15	3002 8030 2	277.96	3002 8020 1	304.24	3002 8020 2
48.3	89.40	3002 8101 1	115.76	3002 8101 2	293.02	3002 8130 1	319.38	3002 8130 2	279.11	3002 8120 1	305.47	3002 8120 2
60.3	93.36	3002 8201 1	121.51	3002 8201 2	296.98	3002 8230 1	325.13	3002 8230 2	283.08	3002 8220 1	311.22	3002 8220 2
76.1	114.84	3002 8301 1	148.73	3002 8301 2	318.46	3002 8330 1	352.36	3002 8330 2	304.55	3002 8320 1	338.45	3002 8320 2
88.9	164.38	3002 8401 1	213.85	3002 8401 2	357.90	3002 8430 1	407.37	3002 8430 2	344.00	3002 8420 1	393.46	3002 8420 2
114.3	203.98	3002 8501 1	265.08	3002 8501 2	397.50	3002 8530 1	458.60	3002 8530 2	383.60	3002 8520 1	454.79	3002 8520 2

Butterfly Valves



Intermediate Flange Butterfly Valve DIN for ISO Pipe

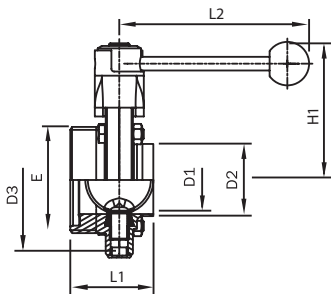
DN ISO	L1	L3	L2	H1	D1	D2	D3	Weight [kg]
33.7	90	50	107	90	29.7	33.7	87	2.4
42.4	90	50	107	92	38.4	42.4	92	2.6
48.3	100	50	137	94	44.3	48.3	97	2.9
60.3	100	50	137	101	56.3	60.3	110	3.4
76.1	100	50	137	110	72.1	76.1	127	4.1
88.9	136	76	167	123	84.3	88.9	142	7.4
114.3	139	76	167	134	109.7	114.3	162	8.8



Butterfly Valve Thread/Thread Aseptic Connection DIN 11864/1

DN DIN	L1	L2	H1	D1	D3	E	Weight [kg]
10	78	105	79	10	58	Rd 28 x 1/8"	0.6
15	78	105	79	16	58	Rd 34 x 1/8"	0.6
20	82	105	79	20	58	Rd 44 x 1/8"	0.6
25	64	107	90	26	87	Rd 52 x 1/6"	1.7
32	64	107	92	32	92	Rd 58 x 1/6"	1.8
40	72	137	94	38	97	Rd 65 x 1/6"	2.0
50	72	137	101	50	110	Rd 78 x 1/6"	2.4
65	76	137	110	66	127	Rd 95 x 1/6"	3.1
80	100	167	123	81	142	Rd 110 x 1/4"	5.2
100	104	167	134	100	162	Rd 130 x 1/4"	6.5

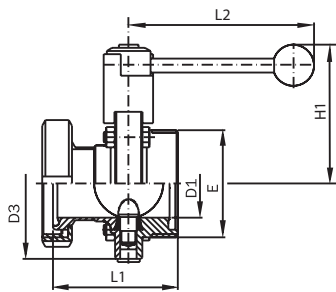
Attention: DN10 to DN20
only with plastic Handle



Butterfly Valve Thread/Weld Aseptic Connection DIN 11864/1

DN DIN	L1	L2	H1	D1	D2	D3	E	Weight [kg]
10	59	105	79	10	13	58	Rd 28 x 1/8"	0.6
15	59	105	79	16	19	58	Rd 34 x 1/8"	0.6
20	61	105	79	20	23	58	Rd 44 x 1/8"	0.6
25	52	107	90	26	29	87	Rd 52 x 1/6"	1.5
32	53	107	92	32	35	92	Rd 58 x 1/6"	1.6
40	61	137	94	38	41	97	Rd 65 x 1/6"	1.8
50	61	137	101	50	53	110	Rd 78 x 1/6"	2.1
65	63	137	110	66	70	127	Rd 95 x 1/6"	2.6
80	80	167	123	81	85	142	Rd 110 x 1/4"	4.6
100	84	167	134	100	104	162	Rd 130 x 1/4"	5.6

Attention: DN10 to DN20
only with plastic Handle



Butterfly Valve Thread/Collar Aseptic Connection DIN 11864/1

DN DIN	L1	L2	H1	D1	D3	E	Weight [kg]
10	76	105	79	10	58	Rd 28 x 1/8"	0.6
15	76	105	79	16	58	Rd 34 x 1/8"	0.6
20	79	105	79	20	58	Rd 44 x 1/8"	0.6
25	74	107	90	26	87	Rd 52 x 1/6"	1.8
32	78	107	92	32	92	Rd 58 x 1/6"	1.9
40	87	137	94	38	97	Rd 65 x 1/6"	2.2
50	91	137	101	50	110	Rd 78 x 1/6"	2.7
65	97	137	110	66	127	Rd 95 x 1/6"	3.4
80	118	167	123	81	142	Rd 110 x 1/4"	5.6
100	130	167	134	100	162	Rd 130 x 1/4"	7.1

Attention: DN10 to DN20
only with plastic Handle

Butterfly Valves

Intermediate Flange Butterfly Valve DIN for ISO Pipe

DN ISO	manually actuated 1.4301 (304) Silicone		manually actuated 1.4404 (316L) Silicone		Air/Spring 1.4301 (304) Silicone		Air/Spring 1.4404 (316L) Silicone		Air/Air 1.4301 (304) Silicone		Air/Air 1.4404 (316L) Silicone	
	Price/EUR	Article No.	Price/EUR	Article No.	Price/EUR	Article No.	Price/EUR	Article No.	Price/EUR	Article No.	Price/EUR	Article No.
33.7	*	3202 7901 1	*	3202 7901 2	*	3202 7930 1	*	3202 7930 2	*	3202 7920 1	*	3202 7920 2
42.4	*	3202 8001 1	*	3202 8001 2	*	3202 8030 1	*	3202 8030 2	*	3202 8020 1	*	3202 8020 2
48.3	*	3202 8101 1	*	3202 8101 2	*	3202 8130 1	*	3202 8130 2	*	3202 8120 1	*	3202 8120 2
60.3	*	3202 8201 1	*	3202 8201 2	*	3202 8230 1	*	3202 8230 2	*	3202 8220 1	*	3202 8220 2
76.1	*	3202 8301 1	*	3202 8301 2	*	3202 8330 1	*	3202 8330 2	*	3202 8320 1	*	3202 8320 2
88.9	*	3202 8401 1	*	3202 8401 2	*	3202 8430 1	*	3202 8430 2	*	3202 8420 1	*	3202 8420 2
114.3	*	3202 8501 1	*	3202 8501 2	*	3202 8530 1	*	3202 8530 2	*	3202 8520 1	*	3202 8520 2

Butterfly Valve Thread/Thread Aseptic Connection DIN 11864/1

DN DIN	manually actuated 1.4404 (316L) Silicone		Air/Spring 1.4404 (316L) Silicone		Air/Air 1.4404 (316L) Silicone	
	Price/EUR	Article No.	Price/EUR	Article No.	Price/EUR	Article No.
10	172.54	3020 0106 2	376.16	3020 0130 2		
15	172.54	3020 0306 2	376.16	3020 0330 2		
20	172.54	3020 0406 2	376.16	3020 0430 2		
25	172.54	3020 0501 2	376.16	3020 0530 2	362.25	3020 0520 2
32	183.09	3020 0601 2	386.72	3020 0630 2	372.81	3020 0620 2
40	187.21	3020 0701 2	390.83	3020 0730 2	376.92	3020 0720 2
50	213.52	3020 0801 2	417.14	3020 0830 2	403.23	3020 0820 2
65	262.22	3020 0901 2	465.84	3020 0930 2	451.93	3020 0920 2
80	350.85	3020 1001 2	544.37	3020 1030 2	530.47	3020 1020 2
100	484.78	3020 1201 2	678.31	3020 1230 2	664.40	3020 1220 2

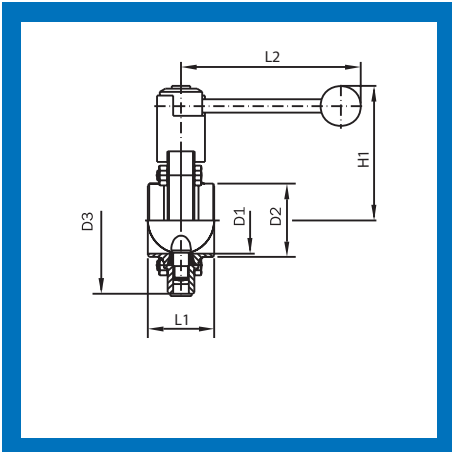
Butterfly Valve Thread/Weld Aseptic Connection DIN 11864/1

DN DIN	manually actuated 1.4404 (316L) Silicone		Air/Spring 1.4404 (316L) Silicone		Air/Air 1.4404 (316L) Silicone	
	Price/EUR	Article No.	Price/EUR	Article No.	Price/EUR	Article No.
10	124.91	3021 0106 2	328.53	3021 0130 2		
15	124.91	3021 0306 2	328.53	3021 0330 2		
20	124.91	3021 0406 2	328.53	3021 0430 2		
25	124.91	3021 0501 2	328.53	3021 0530 2	314.62	3021 0520 2
32	132.35	3021 0601 2	335.97	3021 0630 2	322.06	3021 0620 2
40	133.63	3021 0701 2	337.25	3021 0730 2	323.34	3021 0720 2
50	148.07	3021 0801 2	351.69	3021 0830 2	337.78	3021 0820 2
65	182.58	3021 0901 2	386.20	3021 0930 2	372.30	3021 0920 2
80	251.07	3021 1001 2	444.59	3021 1030 2	430.69	3021 1020 2
100	319.92	3021 1201 2	513.44	3021 1230 2	499.53	3021 1220 2

Butterfly Valve Thread/Collar Aseptic Connection DIN 11864/1

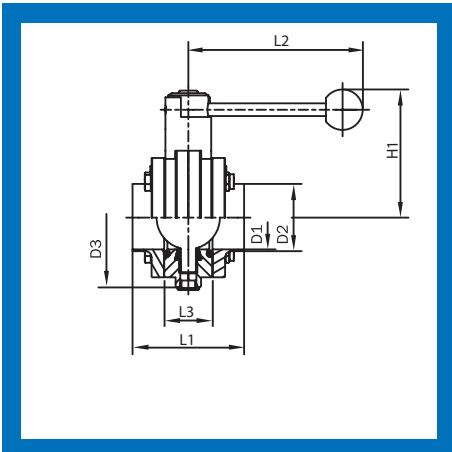
DN DIN	manually actuated 1.4404 (316L) Silicone		Air/Spring 1.4404 (316L) Silicone		Air/Air 1.4404 (316L) Silicone	
	Price/EUR	Article No.	Price/EUR	Article No.	Price/EUR	Article No.
10	172.54	3022 0106 2	376.16	3022 0130 2		
15	172.54	3022 0306 2	376.16	3022 0330 2		
20	172.54	3022 0406 2	376.16	3022 0430 2		
25	172.54	3022 0501 2	376.16	3022 0530 2	362.25	3022 0520 2
32	183.09	3022 0601 2	386.72	3022 0630 2	372.81	3022 0620 2
40	187.21	3022 0701 2	390.83	3022 0730 2	376.92	3022 0720 2
50	213.52	3022 0801 2	417.14	3022 0830 2	403.23	3022 0820 2
65	262.22	3022 0901 2	465.84	3022 0930 2	451.93	3022 0920 2
80	350.85	3022 1001 2	544.37	3022 1030 2	530.47	3022 1020 2
100	484.78	3022 1201 2	678.31	3022 1230 2	664.40	3022 1220 2

Butterfly Valves



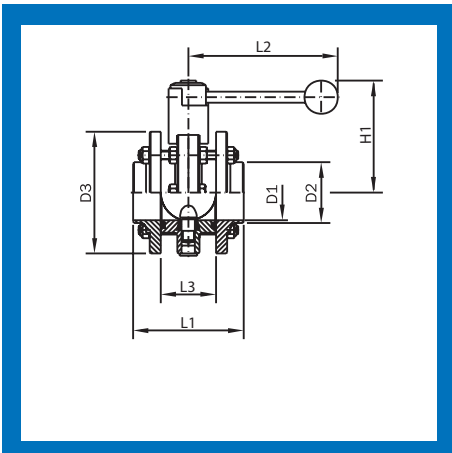
Butterfly Valve Weld/Weld Inch (Series B)

DN Inch	L1	L2	H1	D1	D2	D3	Weight [kg]
1"	38	107.5	90.5	22.1	25.4	87	1.3
1 1/2"	48	137.5	94.5	34.8	38.1	97	1.5
2"	48	137.5	101	47.5	50.8	110	1.8
2 1/2"	47	137.5	110	60.2	63.5	127	2.2
3"	60	167	123	72.1	76.1	142	4.2
4"	64	167	136	97.38	101.6	162	4.8
5"	112	217	161	122.8	127	200	7.8
6"	124	217	176	148.2	152.4	230	9.8



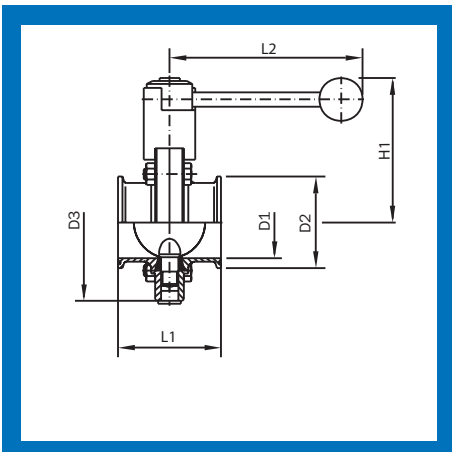
Compact Intermediate Flange Butterfly Valve Inch (Series B)

DN Inch	L1	L2	L3	H1	D1	D2	D3	Weight [kg]
1"	78	107.5	38	90	22.1	25.4	87	2.4
1 1/2"	88	137.5	38	94.5	34.8	38.1	97	2.6
2"	88	137.5	38	101	47.5	50.8	110	3.1
2 1/2"	88	137.5	38	110	60.2	63.5	127	3.6
3"	105	171	45	124.5	72.9	76.2	142	6.7
4"	105	171	45	135.5	97.38	101.6	162	7.6
5"	168	217	88	161	122.8	127	200	16.4
6"	168	217	88	176	148.2	152.4	230	19.9



Intermediate Flange Butterfly Valve Inch (Series B)

DN Inch	L1	L2	L3	H1	D1	D2	D3	Weight [kg]
1"	90	107.5	50	90.5	22.1	25.4	87	2.4
1 1/2"	100	137.5	50	94.5	34.8	38.1	97	2.8
2"	100	137.5	50	101	47.5	50.8	110	3.4
2 1/2"	100	137.5	50	110	60.2	63.5	127	4.1
3"	136	167	76	123	72.1	78	142	7.2
4"	136	167	76	136	97.38	101.6	162	8.8



Butterfly Valve Clamp/Clamp Inch (Series B)

DN Inch	L1	L2	H1	D1	D2	D3	Weight [kg]
1"	64	107.5	90.5	22.1	50.5	87	1.5
1 1/2"	72	137.5	94.5	34.8	50.5	97	1.6
2"	72	137.5	101	47.5	64	110	1.9
2 1/2"	76	137.5	110	60.2	77.5	127	2.4
3"	90	167	123	72.1	91	142	4.2
4"	104	167	136	97.38	119	162	5.2

Butterfly Valves

Butterfly Valve Weld/Weld Inch (Series B)

DN Inch	manually actuated 1.4301 (304) Silicone		manually actuated 1.4404 (316L) Silicone		Air/Spring 1.4301 (304) Silicone		Air/Spring 1.4404 (316L) Silicone		Air/Air 1.4301 (304) Silicone		Air/Air 1.4404 (316L) Silicone	
	Price/EUR	Article No.	Price/EUR	Article No.	Price/EUR	Article No.	Price/EUR	Article No.	Price/EUR	Article No.	Price/EUR	Article No.
1"	75.90	360254011/0	98.50	360254012/0	279.50	360254301/0	302.10	360254302/0	265.60	360254201/0	288.20	360254202/0
1 1/2"	81.70	360257011/0	105.75	360257012/0	285.35	360257301/0	309.35	360257302/0	271.40	360257201/0	295.45	360257202/0
2"	85.95	360258011/0	107.20	360258012/0	289.60	360258301/0	310.80	360258302/0	275.65	360258201/0	296.90	360258202/0
2 1/2"	107.75	360259011/0	141.95	360259012/0	311.40	360259301/0	345.55	360259302/0	297.50	360259201/0	331.65	360259202/0
3"	155.95	360260011/0	203.55	360260012/0	349.50	360260301/0	397.05	360260302/0	335.55	360260201/0	383.15	360260202/0
4"	195.00	360262011/0	252.50	360262012/0	388.50	360262301/0	446.00	360262302/0	374.60	360262201/0	432.10	360262202/0
5"	432.35	300263011	562.50	300263012	1013.55	300263521	1143.65	300263522				
6"	628.15	300264011	812.65	300264012	1212.85	300264521	1397.35	300264522				

Compact Intermediate Flange Butterfly Valve Inch (Series B)

DN Inch	manually actuated 1.4301 (304) Silicone		manually actuated 1.4404 (316L) Silicone		VMove® air/spring 1.4301 (304) Silicone		VMove® air/spring 1.4404 (316L) Silicone	
	Price/EUR	Article No.	Price/EUR	Article No.	Price/EUR	Article No.	Price/EUR	Article No.
1"	131.22	3255 1100 05410	171.13	3255 1100 05430	334.85	3255 2100 05410	374.75	3255 2100 05430
1 1/2"	140.84	3255 1100 05710	183.12	3255 1100 05730	344.46	3255 2100 05710	386.74	3255 2100 05730
2"	146.56	3255 1100 05810	191.25	3255 1100 05830	350.18	3255 2100 05810	394.87	3255 2100 05830
2 1/2"	185.27	3255 1100 05910	241.18	3255 1100 05930	388.89	3255 2100 05910	444.80	3255 2100 05930
3"	266.54	3255 1100 06010	322.14	3255 1100 06030	460.06	3255 2100 06010	515.66	3255 2100 06030
4"	324.85	3255 1100 06210	422.66	3255 1100 06230	518.37	3255 2100 06210	616.18	3255 2100 06230
5"	937.91	3255 1100 06310	1218.56	3255 1100 06330	1486.20	3255 2100 06310	1766.85	3255 2100 06330
6"	1335.11	3255 1100 06410	1734.46	3255 1100 06430	1845.30	3255 2100 06410	2286.06	3255 2100 06430

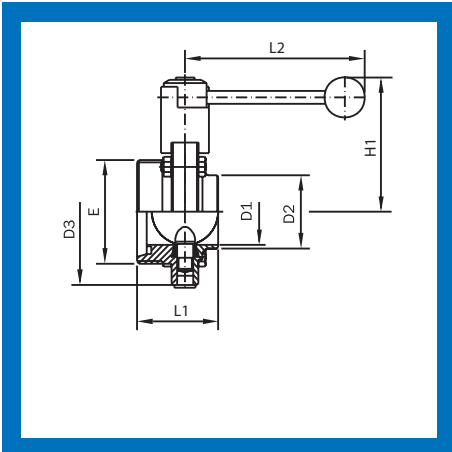
Intermediate Flange Butterfly Valve Inch (Series B)

DN Inch	manually actuated 1.4301 (304) Silicone		manually actuated 1.4404 (316L) Silicone		Air/Spring 1.4301 (304) Silicone		Air/Spring 1.4404 (316L) Silicone		Air/Air 1.4301 (304) Silicone		Air/Air 1.4404 (316L) Silicone	
	Price/EUR	Article No.	Price/EUR	Article No.	Price/EUR	Article No.	Price/EUR	Article No.	Price/EUR	Article No.	Price/EUR	Article No.
1"	133.05	363254011/0	172.75	363254012/0	336.70	363254301/0	376.40	363254302/0	322.80	363254201/0	362.50	363254202/0
1 1/2"	143.10	363257011/0	186.05	363257012/0	346.75	363257301/0	389.65	363257302/0	332.85	363257201/0	375.75	363257202/0
2"	148.85	363258011/0	194.60	363258012/0	352.50	363258301/0	398.25	363258302/0	338.60	363258201/0	384.30	363258202/0
2 1/2"	187.95	363259011/0	244.70	363259012/0	391.60	363259301/0	448.35	363259302/0	377.65	363259201/0	434.40	363259202/0
3"	272.10	363260011/0	354.90	363260012/0	465.60	363260301/0	548.45	363260302/0	451.70	363260201/0	534.55	363260202/0
4"	329.45	363262011/0	428.75	363262012/0	523.00	363262301/0	622.30	363262302/0	509.05	363262201/0	608.40	363262202/0

Butterfly Valve Clamp/Clamp Inch (Series B)

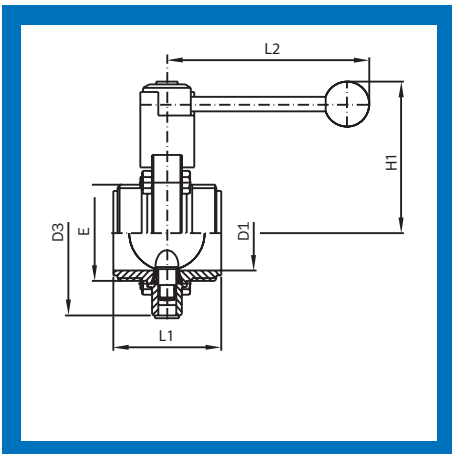
DN Inch	manually actuated 1.4301 (304) Silicone		manually actuated 1.4404 (316L) Silicone		Air/Spring 1.4301 (304) Silicone		Air/Spring 1.4404 (316L) Silicone		Air/Air 1.4301 (304) Silicone		Air/Air 1.4404 (316L) Silicone	
	Price/EUR	Article No.	Price/EUR	Article No.	Price/EUR	Article No.	Price/EUR	Article No.	Price/EUR	Article No.	Price/EUR	Article No.
1"	91.55	360654011/0	117.15	360654012/0	295.15	360654301/0	320.75	360654302/0	281.25	360654201/0	306.85	360654202/0
1 1/2"	95.15	360657011/0	123.85	360657012/0	298.75	360657301/0	327.50	360657302/0	284.85	360657201/0	313.60	360657202/0
2"	104.15	360658011/0	135.20	360658012/0	307.75	360658301/0	344.20	360658302/0	293.85	360658201/0	324.90	360658202/0
2 1/2"	123.75	360659011/0	161.40	360659012/0	327.40	360659301/0	365.05	360659302/0	313.50	360659201/0	351.10	360659202/0
3"	185.20	360660011/0	240.70	360660012/0	378.70	360660301/0	434.25	360660302/0	364.80	360660201/0	420.35	360660202/0
4"	235.35	360662011/0	325.50	360662012/0	428.85	360662301/0	519.05	360662302/0	414.95	360662201/0	505.15	360662202/0

Butterfly Valves



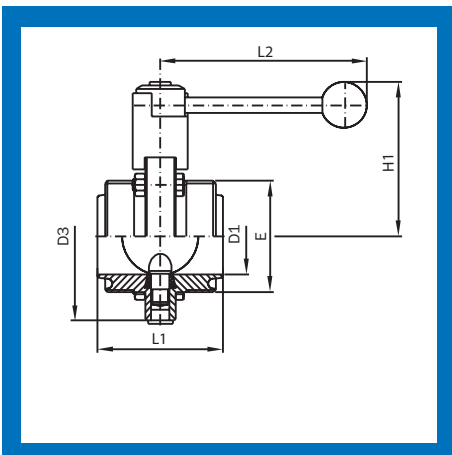
Butterfly Valve Thread/Weld Inch (Series B) similar DIN 11851

DN Inch	L1	L2	H1	D1	D2	D3	E	Weight [kg]
1"	51	107.5	90.5	22.1	25.4	87	Rd 52 x 1/6"	1.5
1 1/2"	60	137.5	94.5	34.8	38.1	97	Rd 65 x 1/6"	1.8
2"	60	137.5	101	47.5	50.8	110	Rd 78 x 1/6"	2.1
2 1/2"	61.5	137.5	110	60.2	63.5	127	Rd 95 x 1/6"	2.7
3"	75	167	123	72.1	76.1	142	Rd 104 x 1/6"	5.0
4"	84	167	136	97.38	101.6	162	Rd 130 x 1/4"	5.7



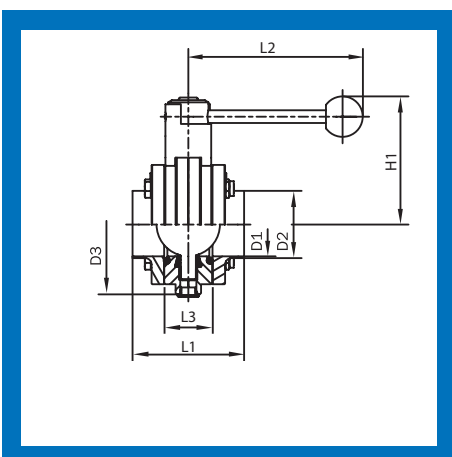
Butterfly Valve IDF Thread/Thread (Series B)

DN Inch	L1	L2	H1	D1	D3	E	Weight [kg]
1"	72	107.5	90.5	22.1	87	1"	1.5
1 1/2"	72	137.5	94.5	34.8	97	1 1/2"	1.8
2"	72	137.5	101	47.5	110	2"	2.1
2 1/2"	76	137.5	110	60.2	127	2 1/2"	2.7
3"	90	167	123	72.1	142	3"	4.8
4"	104	167	136	97.38	162	4"	7.1



Butterfly Valve RJT Thread/Thread (Series B)

DN Inch	L1	L2	H1	D1	D3	E	Weight [kg]
1"	74	107.5	90.5	22.1	87	45.7 x 1/8"	1.2
1 1/2"	82	137.5	94.5	34.8	97	58.4 x 1/8"	2.0
2"	82	137.5	101	47.5	110	72.7 x 1/6"	2.3
2 1/2"	86	137.5	110	60.2	127	85.4 x 1/6"	3.0
3"	100	167	123	72.1	142	98.1 x 1/6"	4.8
4"	100	167	136	97.38	162	123.5 x 1/6"	7.1



Compact Intermediate Flange Butterfly Valve SMS (FR) (Series B)

DN SMS	L1	L2	L3	H1	D1	D2	D3	Weight [kg]
25	78	107.5	38	90	22.5	25	87	2.4
38	88	137.5	38	94.5	35.5	38	97	2.6
51	88	137.5	38	101	48.5	51	110	3.1
63.5	88	137.5	38	110	60.5	63.5	127	3.6
76.1	105	171	45	124.5	72.1	76.1	142	6.7
101.6	105	171	45	135.5	97.6	101.6	162	7.6

Butterfly Valves

Butterfly Valve Thread/Weld Inch (Series B) similar DIN 11851

DN Inch	manually actuated 1.4301 (304) Silicone		manually actuated 1.4404 (316L) Silicone		Air/Spring 1.4301 (304) Silicone		Air/Spring 1.4404 (316L) Silicone		Air/Air 1.4301 (304) Silicone		Air/Air 1.4404 (316L) Silicone	
	Price/EUR	Article No.	Price/EUR	Article No.	Price/EUR	Article No.	Price/EUR	Article No.	Price/EUR	Article No.	Price/EUR	Article No.
1"	78.92	360354011/0	101.85	360354012/0	282.57	360354301/0	305.50	360354302/0	268.62	360354201/0	291.55	360354202/0
1 1/2"	83.78	360357011/0	107.45	360357012/0	287.43	360357301/0	311.10	360357302/0	273.48	360357201/0	297.15	360357202/0
2"	89.35	360358011/0	115.91	360358012/0	293.00	360358301/0	319.54	360358302/0	279.05	360358201/0	305.61	360358202/0
2 1/2"	108.75	360359011/0	153.20	360359012/0	312.40	360359301/0	346.69	360359302/0	298.45	360359201/0	342.90	360359202/0
3"	162.88	360360011/0	212.52	360360012/0	356.40	360360301/0	406.02	360360302/0	342.48	360360201/0	392.12	360360202/0
4"	203.60	360362011/0	264.50	360362012/0	397.10	360362301/0	458.00	360362302/0	383.20	360362201/0	444.10	360362202/0

Butterfly Valve IDF Thread/Thread (Series B)

DN Inch	manually actuated 1.4301 (304) Silicone		manually actuated 1.4404 (316L) Silicone		Air/Spring 1.4301 (304) Silicone		Air/Spring 1.4404 (316L) Silicone		Air/Air 1.4301 (304) Silicone		Air/Air 1.4404 (316L) Silicone	
	Price/EUR	Article No.	Price/EUR	Article No.	Price/EUR	Article No.	Price/EUR	Article No.	Price/EUR	Article No.	Price/EUR	Article No.
1"	87.15	361454011/0	112.45	361454012/0	290.75	361454301/0	316.05	361454302/0	276.85	361454201/0	302.15	361454202/0
1 1/2"	91.75	361457011/0	118.50	361457012/0	295.40	361457301/0	322.15	361457302/0	281.50	361457201/0	308.25	361457202/0
2"	100.75	361458011/0	136.80	361458012/0	304.35	361458301/0	340.40	361458302/0	290.45	361458201/0	326.50	361458202/0
2 1/2"	119.75	361459011/0	164.20	361459012/0	323.35	361459301/0	367.85	361459302/0	309.45	361459201/0	353.95	361459202/0
3"	179.15	361460011/0	231.90	361460012/0	372.70	361460301/0	425.45	361460302/0	358.80	361460201/0	411.55	361460202/0
4"	*	361462011/0	*	361462012/0	*	361462301/0	*	361462302/0	*	361462201/0	*	361462202/0

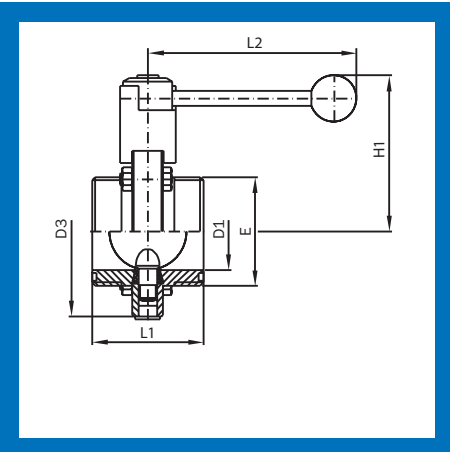
Butterfly Valve RJT Thread/Thread (Series B)

DN Inch	manually actuated 1.4301 (304) Silicone		manually actuated 1.4404 (316L) Silicone		Air/Spring 1.4301 (304) Silicone		Air/Spring 1.4404 (316L) Silicone		Air/Air 1.4301 (304) Silicone		Air/Air 1.4404 (316L) Silicone	
	Price/EUR	Article No.	Price/EUR	Article No.	Price/EUR	Article No.	Price/EUR	Article No.	Price/EUR	Article No.	Price/EUR	Article No.
1"	103.00	361554011/0	128.30	361554012/0	290.75	361554301/0	316.05	361554302/0	276.85	361554201/0	302.15	361554202/0
1 1/2"	109.05	361557011/0	135.80	361557012/0	295.40	361557301/0	322.15	361557302/0	281.50	361557201/0	308.25	361557202/0
2"	118.80	361558011/0	154.85	361558012/0	304.35	361558301/0	340.40	361558302/0	290.45	361558201/0	326.50	361558202/0
2 1/2"	142.90	361559011/0	187.40	361559012/0	323.35	361559301/0	367.85	361559302/0	309.45	361559201/0	353.95	361559202/0
3"	207.50	361560011/0	260.25	361560012/0	372.70	361560301/0	425.45	361560302/0	358.80	361560201/0	411.55	361560202/0
4"	*	361562011/0	*	361562012/0	*	361562301/0	*	361562302/0	*	361562201/0	*	361562202/0

Compact Intermediate Flange Butterfly Valve SMS (FR) (Series B)

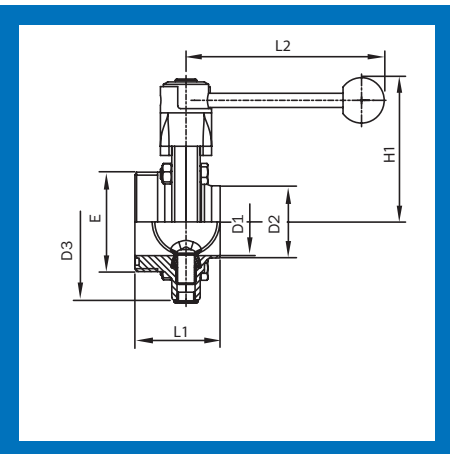
DN SMS	manually actuated 1.4301 (304) Silicone		manually actuated 1.4404 (316L) Silicone		VMove® air/spring 1.4301 (304) Silicone		VMove® air/spring 1.4404 (316L) Silicone	
	Price/EUR	Article No.	Price/EUR	Article No.	Price/EUR	Article No.	Price/EUR	Article No.
25	131.22	3255 1100 09110	171.13	3255 1100 09130	334.85	3255 2100 09110	374.75	3255 2100 09130
38	140.84	3255 1100 09210	183.12	3255 1100 09230	344.46	3255 2100 09210	386.74	3255 2100 09230
51	146.56	3255 1100 09310	191.25	3255 1100 09330	350.18	3255 2100 09310	394.87	3255 2100 09330
63.5	185.27	3255 1100 09410	241.18	3255 1100 09430	388.89	3255 2100 09410	444.80	3255 2100 09430
76.1	266.54	3255 1100 09510	322.14	3255 1100 09530	460.06	3255 2100 09510	515.66	3255 2100 09530
101.6	324.85	3255 1100 09610	422.66	3255 1100 09630	518.37	3255 2100 09610	616.18	3255 2100 09630

Butterfly Valves



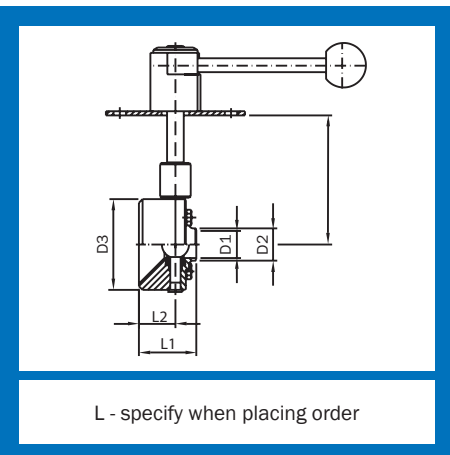
Butterfly Valve SMS Thread/Thread (Series B)

DN SMS	L1	L2	H1	D1	D3	E	Weight [kg]
25	64	107.5	90.5	22.1	87	Rd 40 x 1/6"	1.5
38	72	137.5	94.5	34.8	97	Rd 60 x 1/6"	2.0
51	72	137.5	101	47.5	110	Rd 70 x 1/6"	2.3
63.5	76	137.5	110	60.2	127	Rd 85 x 1/6"	3.0
76.1	90	167	123	72.1	142	Rd 98 x 1/6"	5.0
101.6	104	167	136	97.38	162	Rd 132 x 1/6"	7.3



Butterfly Valve SMS Thread/Weld (Series B)

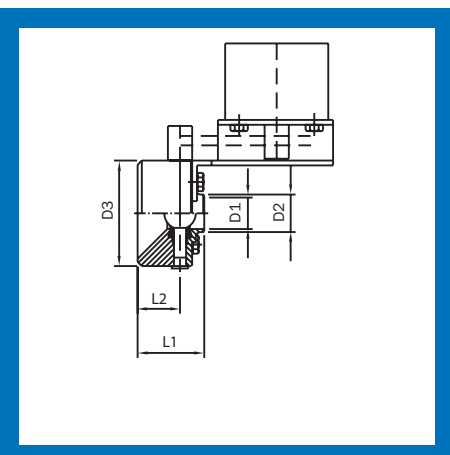
DN SMS	L1	L2	H1	D1	D2	D3	E	Weight [kg]
25	51	107.5	90.5	22.1	25.4	87	Rd 40 x 1/6"	1.4
38	60	137.5	94.5	34.8	38.1	97	Rd 60 x 1/6"	1.8
51	60	157.5	101	47.5	50.8	110	Rd 70 x 1/6"	2.1
63.5	61.5	157.5	110	60.2	63.5	127	Rd 85 x 1/6"	2.6
76.1	75	167	123	72.1	76.1	142	Rd 98 x 1/6"	4.6
101.6	84	167	138	97.38	101.6	162	Rd 132 x 1/6"	6.1



Ground Drain Valve

DN DIN	L1	L2	D1	D2	D3
25	55	35	26	29	87
40	60	35	38	41	97
50	60	35	50	53	110
65	60	35	66	70	127
80	70	40	81	85	142
100	72	40	100	104	162

L - specify when placing order



Ground Drain Valve

DN DIN	L1	L2	D1	D2	D3
25	55	35	26	29	87
40	60	35	38	41	97
50	60	35	50	53	110
65	60	35	66	70	127
80	70	40	81	85	142
100	72	40	100	104	162

Butterfly Valves

Butterfly Valve SMS Thread/Thread (Series B)

DN SMS	manually actuated 1.4301 (304) Silicone		manually actuated 1.4404 (316L) Silicone		Air/Spring 1.4301 (304) Silicone		Air/Spring 1.4404 (316L) Silicone		Air/Air 1.4301 (304) Silicone		Air/Air 1.4404 (316L) Silicone	
	Price/EUR	Article No.	Price/EUR	Article No.	Price/EUR	Article No.	Price/EUR	Article No.	Price/EUR	Article No.	Price/EUR	Article No.
25	85.95	361654011/0	111.25	361654012/0	289.60	361654301/0	314.90	361654302/0	275.65	361654201/0	301.00	361654202/0
38	90.30	361657011/0	117.05	361657012/0	293.90	361657301/0	320.65	361657302/0	280.00	361657201/0	306.75	361657202/0
51	99.10	361658011/0	135.15	361658012/0	302.70	361658301/0	338.75	361658302/0	288.80	361658201/0	324.85	361658202/0
63.5	108.75	361659011/0	153.20	361659012/0	312.35	361659301/0	356.85	361659302/0	312.35	361659201/0	342.95	361659202/0
76.1	176.20	361660011/0	228.95	361660012/0	369.70	361660301/0	422.45	361660302/0	355.80	361660201/0	408.55	361660202/0
101.6	223.85	361662011/0	295.65	361662012/0	417.40	361662301/0	489.15	361662302/0	403.50	361662201/0	427.25	361662202/0

Butterfly Valve SMS Thread/Weld (Series B)

DN SMS	manually actuated 1.4301 (304) Silicone		manually actuated 1.4404 (316L) Silicone		Air/Spring 1.4301 (304) Silicone		Air/Spring 1.4404 (316L) Silicone		Air/Air 1.4301 (304) Silicone		Air/Air 1.4404 (316L) Silicone	
	Price/EUR	Article No.	Price/EUR	Article No.	Price/EUR	Article No.	Price/EUR	Article No.	Price/EUR	Article No.	Price/EUR	Article No.
25	78.92	360454011/0	101.85	360454012/0	282.57	360454301/0	305.50	360454302/0	268.62	360454201/0	291.55	360454202/0
38	83.78	360457011/0	107.45	360457012/0	287.43	360457301/0	311.10	360457302/0	273.48	360457201/0	297.15	360457202/0
51	89.35	360458011/0	115.91	360458012/0	293.00	360458301/0	319.54	360458302/0	279.05	360458201/0	305.61	360458202/0
63.5	108.75	360459011/0	153.20	360459012/0	312.40	360459301/0	346.69	360459302/0	298.45	360459201/0	342.90	360459202/0
76.1	162.88	360460011/0	212.52	360460012/0	356.40	360460301/0	406.02	360460302/0	342.48	360460201/0	392.12	360460202/0
101.6	203.60	360462011/0	264.50	360462012/0	397.10	360462301/0	458.00	360462302/0	383.20	360462201/0	444.10	360462202/0

Ground Drain Valve

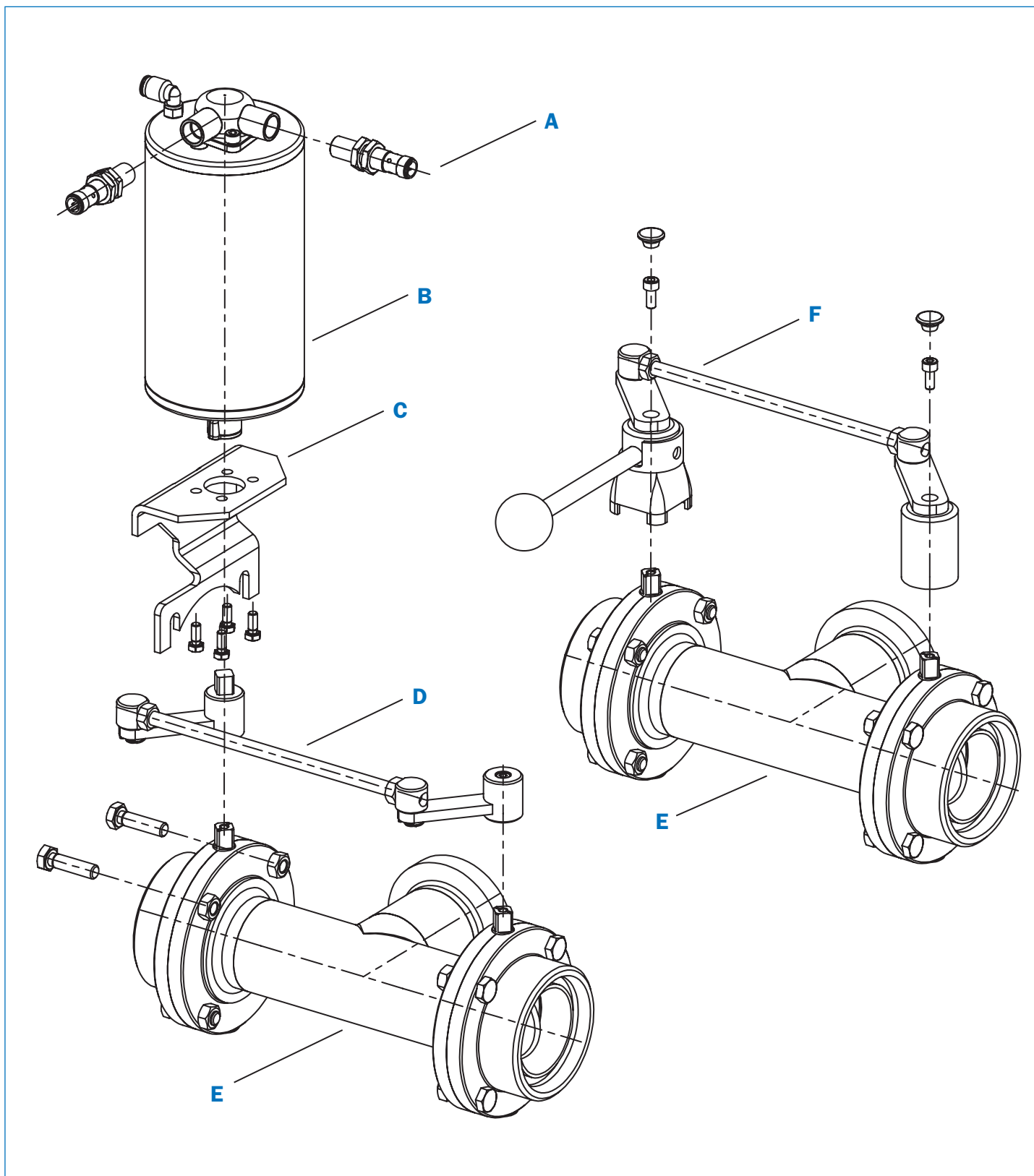
DN DIN	manually actuated 1.4301 (304) Silicone		manually actuated 1.4404 (316L) Silicone		Handle extension 1.4301 (304)	
	Price/EUR	Article No.	Price/EUR	Article No.	Price/EUR	Article No.
25	*	3018 0501 1	*	3018 0501 2	*	3907 09 000
40	*	3018 0701 1	*	3018 0701 2	*	3907 09 000
50	*	3018 0801 1	*	3018 0801 2	*	3907 09 000
65	*	3018 0901 1	*	3018 0901 2	*	3907 09 000
80	*	3018 1001 1	*	3018 1001 2	*	3907 12 000
100	*	3018 1201 1	*	3018 1201 2	*	3907 12 000

Ground Drain Valve

DN DIN	Air/Spring 1.4301 (304) Silicone		Air/Spring 1.4404 (316L) Silicone		Air/Air 1.4301 (304) Silicone		Air/Air 1.4404 (316L) Silicone	
	Price/EUR	Article No.	Price/EUR	Article No.	Price/EUR	Article No.	Price/EUR	Article No.
25	*	3018 0530 1	*	3018 0530 2	*	3018 0520 1	*	3018 0520 2
40	*	3018 0730 1	*	3018 0730 2	*	3018 0720 1	*	3018 0720 2
50	*	3018 0830 1	*	3018 0830 2	*	3018 0820 1	*	3018 0820 2
65	*	3018 0930 1	*	3018 0930 2	*	3018 0920 1	*	3018 0920 2
80	*	3018 1030 1	*	3018 1030 2	*	3018 1020 1	*	3018 1020 2
100	*	3018 1230 1	*	3018 1230 2	*	3018 1220 1	*	3018 1220 2

Configuration Example T-Butterfly Valve and Switching Combination

Straight Form



A Proximity initiator, inductive

B Pneumatic actuator version VMove®

C Retaining plate

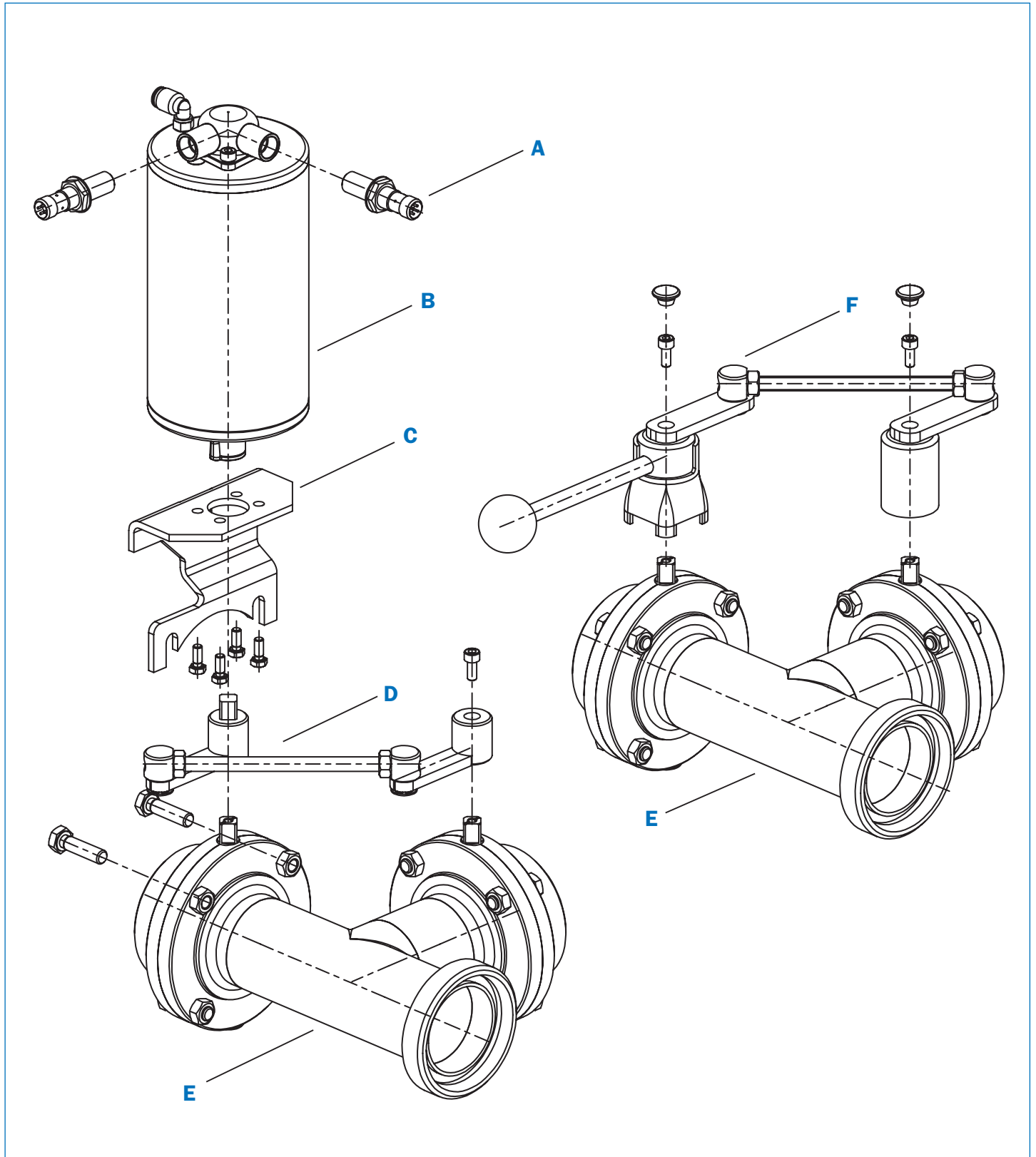
D Switching combination

E T-Butterfly valve

F Switching combination with handle

Configuration Example T-Butterfly Valve and Switching Combination

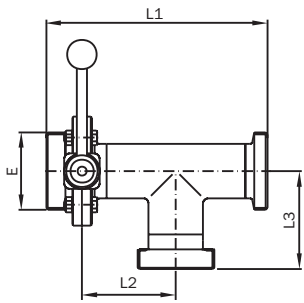
Angular shape



A Proximity initiator, inductive
B Pneumatic actuator version VMove®
C Retaining plate

D Switching combination
E T-Butterfly valve
F Switching combination with handle

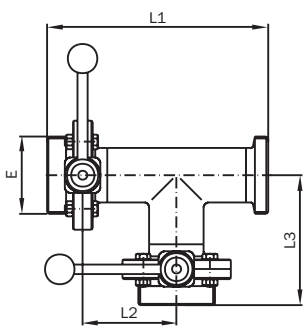
T-Butterfly Valves and Switching Combinations



larger nominal widths upon request

T-Butterfly Valve Thread/Thread/Thread DIN Type "A"

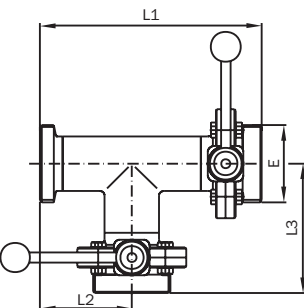
DN DIN	E	L1	L2	L3	Weight [kg]
25	Rd 52 x 1/6"	173	102	72	1.8
32	Rd 58 x 1/6"	184	108	77	1.9
40	Rd 65 x 1/6"	202	121	82	2.2
50	Rd 78 x 1/6"	223	131	93	2.7
65	Rd 95 x 1/6"	247	143	105	3.7
80	Rd 110 x 1/4"	284	170	115	7.6
100	Rd 130 x 1/4"	313	184	130	8.4



larger nominal widths upon request

T-Butterfly Valve Thread/Thread/Thread DIN Type "B"

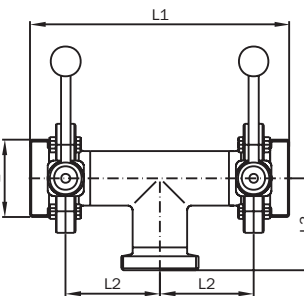
DN DIN	E	L1	L2	L3	Weight [kg]
25	Rd 52 x 1/6"	173	70	102	3.2
32	Rd 58 x 1/6"	184	76	108	3.4
40	Rd 65 x 1/6"	202	85	121	3.9
50	Rd 78 x 1/6"	223	95	131	4.6
65	Rd 95 x 1/6"	247	105	143	6.0
80	Rd 110 x 1/4"	284	120	170	10.5
100	Rd 130 x 1/4"	313	132	184	13.0



larger nominal widths upon request

T-Butterfly Valve Thread/Thread/Thread DIN Type "C"

DN DIN	E	L1	L2	L3	Weight [kg]
25	Rd 52 x 1/6"	173	70	102	3.2
32	Rd 58 x 1/6"	184	76	108	3.4
40	Rd 65 x 1/6"	202	85	121	3.9
50	Rd 78 x 1/6"	223	95	131	4.6
65	Rd 95 x 1/6"	247	105	143	6.0
80	Rd 110 x 1/4"	284	120	170	10.5
100	Rd 130 x 1/4"	313	132	184	13.0



larger nominal widths upon request

T-Butterfly Valve Thread/Thread/Thread DIN Type "D"

DN DIN	E	L1	L2	L3	Weight [kg]
25	Rd 52 x 1/6"	203	70	72	3.2
32	Rd 58 x 1/6"	215	76	77	3.4
40	Rd 65 x 1/6"	241	85	82	3.9
50	Rd 78 x 1/6"	261	95	93	4.6
65	Rd 95 x 1/6"	285	105	105	6.0
80	Rd 110 x 1/4"	339	120	115	10.5
100	Rd 130 x 1/4"	367	132	130	13.0

T-Butterfly Valves and Switching Combinations

T-Butterfly Valve Thread/Thread/Thread DIN Type “A”

DN DIN	manually actuated 1.4301 (304) Silicone		manually actuated 1.4404 (316L) Silicone		Air/Spring 1.4301 (304) Silicone		Air/Spring 1.4404 (316L) Silicone		Air/Air 1.4301 (304) Silicone		Air/Air 1.4404 (316L) Silicone	
	Price/EUR	Article No.	Price/EUR	Article No.	Price/EUR	Article No.	Price/EUR	Article No.	Price/EUR	Article No.	Price/EUR	Article No.
25	125.91	3301 0501 1	163.87	3301 0501 2	329.53	3301 0552 1	367.49	3301 0552 2	315.62	3301 0554 1	353.58	3301 0554 2
32	133.11	3301 0601 1	173.15	3301 0601 2	336.71	3301 0652 1	376.77	3301 0652 2	322.80	3301 0654 1	362.86	3301 0654 2
40	139.05	3301 0701 1	180.61	3301 0701 2	342.67	3301 0752 1	384.24	3301 0752 2	328.76	3301 0754 1	370.33	3301 0754 2
50	153.95	3301 0801 1	200.63	3301 0801 2	357.57	3301 0852 1	404.25	3301 0852 2	343.66	3301 0854 1	390.35	3301 0854 2
65	185.83	3301 0901 1	241.89	3301 0901 2	385.87	3301 0952 1	445.51	3301 0952 2	375.54	3301 0954 1	431.61	3301 0954 2
80	267.20	3301 1001 1	347.86	3301 1001 2	460.73	3301 1052 1	541.38	3301 1052 2	446.82	3301 1054 1	527.47	3301 1054 2
100	333.41	3301 1201 1	433.78	3301 1201 2	526.94	3301 1252 1	627.30	3301 1252 2	513.03	3301 1254 1	613.40	3301 1254 2

T-Butterfly Valve Thread/Thread/Thread DIN Type “B”

DN DIN	manually actuated 1.4301 (304) Silicone		manually actuated 1.4404 (316L) Silicone		Air/Spring 1.4301 (304) Silicone		Air/Spring 1.4404 (316L) Silicone		Air/Air 1.4301 (304) Silicone		Air/Air 1.4404 (316L) Silicone	
	Price/EUR	Article No.	Price/EUR	Article No.	Price/EUR	Article No.	Price/EUR	Article No.	Price/EUR	Article No.	Price/EUR	Article No.
25	202.39	3305 0501 1	263.19	3305 0501 2	609.64	3305 0552 1	670.43	3305 0552 2	581.82	3305 0554 1	642.62	3305 0554 2
32	213.00	3305 0601 1	276.43	3305 0601 2	620.25	3305 0652 1	683.67	3305 0652 2	592.43	3305 0654 1	655.86	3305 0654 2
40	218.96	3305 0701 1	284.53	3305 0701 2	626.20	3305 0752 1	691.78	3305 0752 2	598.39	3305 0754 1	663.96	3305 0754 2
50	238.52	3305 0801 1	309.74	3305 0801 2	645.76	3305 0852 1	716.98	3305 0852 2	617.95	3305 0854 1	689.17	3305 0854 2
65	290.80	3305 0901 1	378.53	3305 0901 2	698.04	3305 0952 1	785.78	3305 0952 2	670.23	3305 0954 1	757.96	3305 0954 2
80	430.48	3305 1001 1	546.67	3305 1001 2	817.53	3305 1052 1	933.72	3305 1052 2	815.28	3305 1054 1	905.91	3305 1054 2
100	535.27	3305 1201 1	669.28	3305 1201 2	922.32	3305 1252 1	1056.33	3305 1252 2	894.51	3305 1254 1	1028.51	3305 1254 2

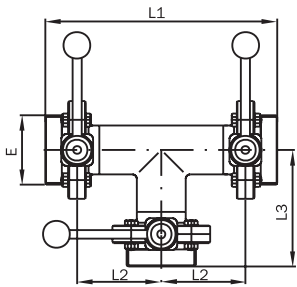
T-Butterfly Valve Thread/Thread/Thread DIN Type “C”

DN DIN	manually actuated 1.4301 (304) Silicone		manually actuated 1.4404 (316L) Silicone		Air/Spring 1.4301 (304) Silicone		Air/Spring 1.4404 (316L) Silicone		Air/Air 1.4301 (304) Silicone		Air/Air 1.4404 (316L) Silicone	
	Price/EUR	Article No.	Price/EUR	Article No.	Price/EUR	Article No.	Price/EUR	Article No.	Price/EUR	Article No.	Price/EUR	Article No.
25	202.39	3306 0501 1	263.19	3306 0501 2	609.64	3306 0552 1	670.43	3306 0552 2	581.82	3306 0554 1	642.62	3306 0554 2
32	213.00	3306 0601 1	276.43	3306 0601 2	620.25	3306 0652 1	683.67	3306 0652 2	592.43	3306 0654 1	655.86	3306 0654 2
40	218.96	3306 0701 1	284.53	3306 0701 2	626.20	3306 0752 1	691.78	3306 0752 2	598.39	3306 0754 1	663.96	3306 0754 2
50	238.52	3306 0801 1	309.74	3306 0801 2	645.76	3306 0852 1	716.98	3306 0852 2	617.95	3306 0854 1	689.17	3306 0854 2
65	290.80	3306 0901 1	378.53	3306 0901 2	698.04	3306 0952 1	785.78	3306 0952 2	670.23	3306 0954 1	757.96	3306 0954 2
80	430.48	3306 1001 1	546.67	3306 1001 2	817.53	3306 1052 1	933.72	3306 1052 2	815.28	3306 1054 1	905.91	3306 1054 2
100	535.27	3306 1201 1	669.28	3306 1201 2	922.32	3306 1252 1	1056.33	3306 1252 2	894.51	3306 1254 1	1028.51	3306 1254 2

T-Butterfly Valve Thread/Thread/Thread DIN Type “D”

DN DIN	manually actuated 1.4301 (304) Silicone		manually actuated 1.4404 (316L) Silicone		Air/Spring 1.4301 (304) Silicone		Air/Spring 1.4404 (316L) Silicone		Air/Air 1.4301 (304) Silicone		Air/Air 1.4404 (316L) Silicone	
	Price/EUR	Article No.	Price/EUR	Article No.	Price/EUR	Article No.	Price/EUR	Article No.	Price/EUR	Article No.	Price/EUR	Article No.
25	202.39	3304 0501 1	263.19	3304 0501 2	609.64	3304 0552 1	670.43	3304 0552 2	581.82	3304 0554 1	642.62	3304 0554 2
32	213.00	3304 0601 1	276.43	3304 0601 2	620.25	3304 0652 1	683.67	3304 0652 2	592.43	3304 0654 1	655.86	3304 0654 2
40	218.96	3304 0701 1	284.53	3304 0701 2	626.20	3304 0752 1	691.78	3304 0752 2	598.39	3304 0754 1	663.96	3304 0754 2
50	238.52	3304 0801 1	309.74	3304 0801 2	645.76	3304 0852 1	716.98	3304 0852 2	617.95	3304 0854 1	689.17	3304 0854 2
65	290.80	3304 0901 1	378.53	3304 0901 2	698.04	3304 0952 1	785.78	3304 0952 2	670.23	3304 0954 1	757.96	3304 0954 2
80	430.48	3304 1001 1	546.67	3304 1001 2	817.53	3304 1052 1	933.72	3304 1052 2	815.28	3304 1054 1	905.91	3304 1054 2
100	535.27	3304 1201 1	669.28	3304 1201 2	922.32	3304 1252 1	1056.33	3304 1252 2	894.51	3304 1254 1	1028.51	3304 1254 2

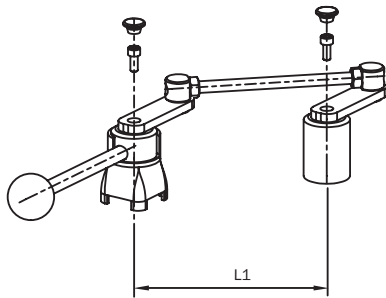
T-Butterfly Valves and Switching Combinations



larger nominal widths upon request

T-Butterfly Valve Thread/Thread/Thread DIN Type "E"

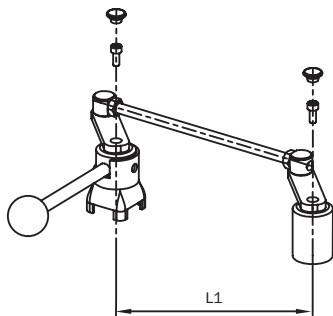
DN DIN	E	L1	L2	L3	Weight [kg]
25	Rd 52 x 1/6"	203	70	102	3.2
32	Rd 58 x 1/6"	215	76	108	3.4
40	Rd 65 x 1/6"	241	85	121	3.9
50	Rd 78 x 1/6"	261	95	131	4.6
65	Rd 95 x 1/6"	285	105	143	6.0
80	Rd 110 x 1/4"	339	120	170	10.5
100	Rd 130 x 1/4"	367	132	184	13.0



for T-Butterfly Valve Type "B" + "C"

Switching Combination angular Shape for T-Butterfly Valve manually actuated

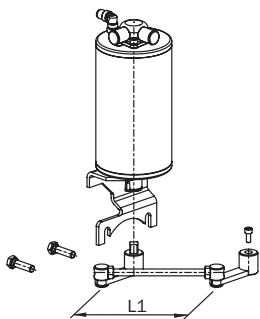
DN DIN	L1	Weight [kg]
25	99	0.85
32	107.5	0.86
40	120.2	0.88
50	134.4	0.89
65	148.5	0.89
80	167.7	1.70
100	186.7	1.70



for T-Butterfly Valve Type "D"

Switching Combination straight Form for T-Butterfly Valve manually actuated

DN DIN	L1	Weight [kg]
25	140	0.87
32	152	0.87
40	170	0.90
50	190	0.91
65	210	0.91
80	240	1.73
100	264	1.73



for T-Butterfly Valve Type "B" + "C"

Switching Combination angular Shape for T-Butterfly Valve with Actuator VMove®

DN DIN	L1
25	99
32	107.5
40	120.2
50	134.4
65	148.5
80	169.7
100	186.7

T-Butterfly Valves and Switching Combinations

T-Butterfly Valve Thread/Thread/Thread DIN Type "E"

DN DIN	manually actuated 1.4301 (304) Silicone		manually actuated 1.4404 (316L) Silicone		Air/Spring 1.4301 (304) Silicone		Air/Spring 1.4404 (316L) Silicone		Air/Air 1.4301 (304) Silicone		Air/Air 1.4404 (316L) Silicone	
	Price/EUR	Article No.	Price/EUR	Article No.	Price/EUR	Article No.	Price/EUR	Article No.	Price/EUR	Article No.	Price/EUR	Article No.
25	278.88	3307 0501 1	362.51	3307 0501 2	889.75	3307 0530 1	973.37	3307 0530 2	848.03	3307 0520 1	931.65	3307 0520 2
32	292.89	3307 0601 1	379.71	3307 0601 2	903.79	3307 0630 1	990.58	3307 0630 2	862.06	3307 0620 1	948.86	3307 0620 2
40	298.88	3307 0701 1	388.45	3307 0701 2	909.74	3307 0730 1	999.32	3307 0730 2	868.02	3307 0720 1	957.60	3307 0720 2
50	323.09	3307 0801 1	418.85	3307 0801 2	933.95	3307 0830 1	1029.72	3307 0830 2	892.23	3307 0820 1	987.99	3307 0820 2
65	395.77	3307 0901 1	515.18	3307 0901 2	1010.21	3307 0930 1	1126.04	3307 0930 2	964.91	3307 0920 1	1084.32	3307 0920 2
80	593.76	3307 1001 1	745.49	3307 1001 2	1174.34	3307 1030 1	1326.06	3307 1030 2	1183.74	3307 1020 1	1284.34	3307 1020 2
100	737.13	3307 1201 1	904.78	3307 1201 2	1317.70	3307 1230 1	1485.35	3307 1230 2	1275.98	3307 1220 1	1443.63	3307 1220 2

Switching Combination angular Shape for T-Butterfly Valve manually actuated

1.4301 (304)		
DN DIN	Price/EUR	Article No.
25	120.20	3920 050 00
32	120.20	3920 060 00
40	120.20	3920 070 00
50	120.20	3920 080 00
65	120.20	3920 090 00
80	143.95	3920 100 00
100	143.95	3920 120 00

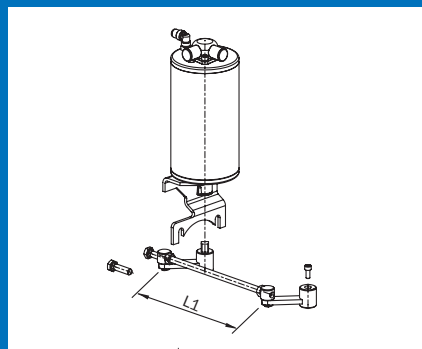
Switching Combination straight Form for T-Butterfly Valve manually actuated

1.4301 (304)		
DN DIN	Price/EUR	Article No.
25	120.20	3921 050 00
32	120.20	3921 060 00
40	120.20	3921 070 00
50	120.20	3921 080 00
65	120.20	3921 090 00
80	143.95	3921 100 00
100	143.95	3921 120 00

Switching Combination angular Shape for T-Butterfly Valve with Actuator VMove®

DN DIN	VMove® air/spring 1.4301 (304)		VMove® air/air 1.4301 (304)	
	Price/EUR	Article No.	Price/EUR	Article No.
25	414.41	3922 0552 1	341.44	3922 0554 1
32	414.41	3922 0652 1	341.44	3922 0654 1
40	414.41	3922 0752 1	341.44	3922 0754 1
50	414.41	3922 0852 1	341.44	3922 0854 1
65	414.41	3922 0952 1	341.44	3922 0954 1
80	478.28	3922 1052 1	405.30	3922 1054 1
100	478.28	3922 1252 1	405.30	3922 1254 1

T-Butterfly Valves and Switching Combinations



for T-Butterfly Valve Type "D"

Switching Combination straight form for T-Butterfly Valve with Actuator VMove®

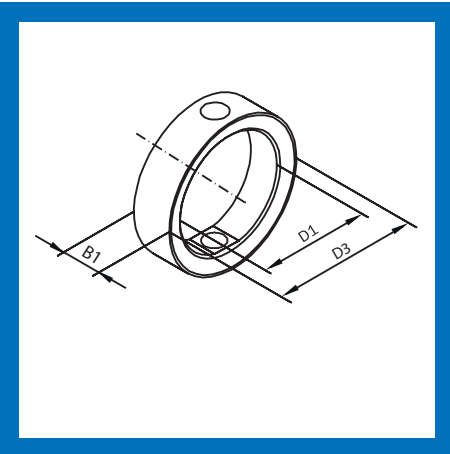
DN DIN	L1
25	140
32	152
40	170
50	190
65	210
80	240
100	264

T-Butterfly Valves and Switching Combinations

Switching Combination straight form for T-Butterfly Valve with Actuator VMove®

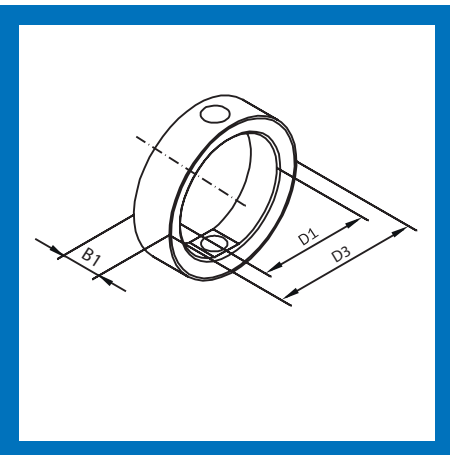
VMove® air/spring 1.4301 (304)		VMove® air/air 1.4301 (304)		
DN DIN	Price/EUR	Article No.	Price/EUR	Article No.
25	446.03	3923 0552 1	373.06	3923 0554 1
32	446.03	3923 0652 1	373.06	3923 0654 1
40	446.03	3923 0752 1	373.06	3923 0754 1
50	446.03	3923 0852 1	373.06	3923 0854 1
65	446.03	3923 0952 1	373.06	3923 0954 1
80	446.03	3923 1052 1	373.06	3923 1054 1
100	446.03	3923 1252 1	373,06	3923 1254 1

Seals, Valve Disks, Bushings and RFID Blanking Plugs



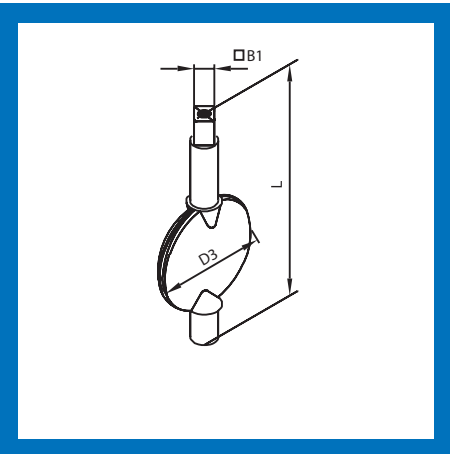
Seals for Butterfly Valve DIN

DN DIN	D1	D3	B1	Weight [kg]
10	12	20	12.5	0.02
15	18	28	14.5	0.02
20	20	32	14.5	0.02
25	26	40	20	0.02
32	32	48	20	0.03
40	38	54	21	0.04
50	51	67	21	0.05
65	67	85	22	0.07
80	82	101	24	0.10
100	101	116	26	0.10
125	125	151	29	0.25
150	150	175	29	0.27
200	203	230	37	0.42



Seals for Butterfly Valve Inch (Series B)

DN Inch	D1	D3	B1	Weight [kg]
1"	22	36	20	0.01
1 1/2"	35	52	20.4	0.02
2"	48	64	21.2	0.03
2 1/2"	60	79	22	0.04
3"	74	93	24	0.09
4"	96	117	23.7	0.08



Valve Disk for Butterfly Valve DIN

DN DIN	D3	B1	L	Weight [kg]
10	10	9.5	47	0.03
15	16	9.5	49.5	0.03
20	20	9.5	60.5	0.04
25	26	9.5	80	0.05
32	32	9.5	87.5	0.06
40	38	9.5	93.5	0.10
50	50	9.5	111	0.15
65	66	9.5	128	0.24
80	81	9.5	144	0.39
100	100	9.5	164	0.63
125	125	14	207	1.16
150	150	14	236.5	2.00
200	200	14	320	4.25

Seals, Valve Disks, Bushings and RFID Blanking Plugs

Seals for Butterfly Valve DIN

VMQ (silicone)			EPDM			FKM			HNBR		
DN DIN	Price/EUR	Article No.	Price/EUR	Article No.	Additional cost	Price/EUR	Article No.	Additional cost	Price/EUR	Article No.	Additional cost
10	14.61	3801 0100 0	14.61	3801 0100 1		39.11	3801 0100 2	24.50			
15	14.61	3801 0300 0	14.61	3801 0300 1		39.11	3801 0300 2	24.50			
20	14.61	3801 0400 0	14.61	3801 0400 1		39.11	3801 0400 2	24.50			
25	6.00	3801 0500 0	10.19	3801 0500 1	4.19	14.10	3801 0500 2	8.10	13.28	3801 0500 5	7.28
32	6.35	3801 0600 0	11.97	3801 0600 1	5.62	17.27	3801 0600 2	10.92	16.23	3801 0600 5	9.88
40	6.76	3801 0700 0	14.89	3801 0700 1	8.13	22.71	3801 0700 2	15.95	21.39	3801 0700 5	14.63
50	7.12	3801 0800 0	17.29	3801 0800 1	10.17	27.93	3801 0800 2	20.81	26.29	3801 0800 5	19.17
65	9.32	3801 0900 0	21.08	3801 0900 1	11.76	33.07	3801 0900 2	23.75	31.08	3801 0900 5	21.76
80	13.70	3801 1000 0	28.02	3801 1000 1	14.32	41.41	3801 1000 2	27.71	42.00	3801 1000 5	28.30
100	22.70	3801 1200 0	39.06	3801 1200 1	16.36	59.39	3801 1200 2	36.69	55.89	3801 1200 5	33.19
125	33.73	3801 1300 0	54.23	3801 1300 1	20.50	75.35	3801 1300 2	41.62	80.88	3801 1300 5	47.15
150	43.64	3801 1500 0	89.65	3801 1500 1	46.04	134.01	3801 1500 2	90.37	156.21	3801 1500 5	112.57
200	*	3801 2000 0	*	3801 2000 1	*	*	3801 2000 2	*	*	3801 2000 5	*

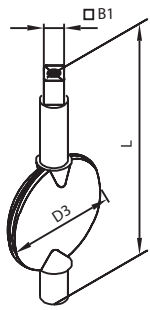
Seals for Butterfly Valve Inch (Series B)

VMQ (silicone)			EPDM			FKM			
DN Inch	Price/EUR	Article No.	Price/EUR	Article No.	Additional cost	Price/EUR	Article No.	Additional cost	
1"	6.00	3801 5400 0	10.19	3801 5400 1	4.19	14.10	3801 5400 2	8.10	
1 1/2"	6.76	3801 5700 0	14.89	3801 5700 1	8.13	22.71	3801 5700 2	15.95	
2"	7.12	3801 5800 0	17.29	3801 5800 1	10.17	27.93	3801 5800 2	20.81	
2 1/2"	9.32	3801 5900 0	21.08	3801 5900 1	11.76	33.07	3801 5900 2	23.75	
3"	11.82	3801 6000 0	26.44	3801 6000 1	14.62	34.65	3801 6000 2	22.83	
4"	22.70	3801 6200 0	39.06	3801 6200 1	16.36	59.39	3801 6200 2	36.69	

Valve Disk for Butterfly Valve DIN

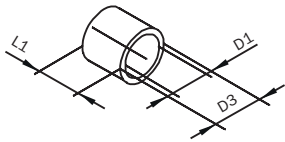
1.4301 (304)/1.4307 (304L)			1.4404 (316L)		
DN DIN	Price/EUR	Article No.	Price/EUR	Article No.	
10	18.85	3800 0101 1	20.40	3800 0101 2	
15	18.85	3800 0301 1	20.40	3800 0301 2	
20	18.85	3800 0401 1	20.40	3800 0401 2	
25	18.30	3800 0501 1	19.94	3800 0501 2	
32	19.38	3800 0601 1	21.07	3800 0601 2	
40	19.58	3800 0701 1	21.32	3800 0701 2	
50	22.14	3800 0801 1	23.88	3800 0801 2	
65	27.46	3800 0901 1	29.30	3800 0901 2	
80	38.86	3800 1001 1	41.47	3800 1001 2	
100	48.52	3800 1201 1	53.74	3800 1201 2	
125	101.08	3800 1301 1	110.59	3800 1301 2	
150	179.46	3800 1501 1	191.73	3800 1501 2	
200			423.80	3800 2001 2	

Seals, Valve Disks, Bushings and RFID Blanking Plugs



Valve Disk for Butterfly Valve Inch Series B

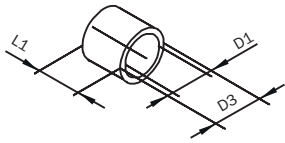
DN Inch	D3	B1	L	Weight [kg]
1"	22.3	9.5	80	0.06
1 1/2"	35.1	9.5	93.5	0.09
2"	47.5	9.5	111	0.13
2 1/2"	60.2	9.5	128	0.20
3"	72.1	9.5	144	0.30
4"	97.4	9.5	165	0.53



Bushing

DN DIN	DN Inch	D1	D3	L1	Weight [kg]
10		6	8	5	0.001
15 - 20		8	10	6	0.001
25 - 32	1"	10	12	5	0.001
40 - 65	1 1/2" - 2 1/2"	12	14	10	0.001
80 - 100	3" - 4"	14	16	12	0.001
125 - 150		18	20	18	0.001
200		22	26	30	0.001

For use at up to 150 °C

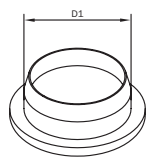


Bushing, conductive for ATEX

DN DIN	DN Inch	D1	D3	L1
10		6	8	5
15 - 20		8	10	6
25 - 32	1"	10	12	5
40 - 65	1 1/2" - 2 1/2"	12	14	9
80 - 100	3" - 4"	14	16	11
125 - 150		18	20	18
200		22	26	30

RFID blanking plugs

DN DIN	DN Inch	DN ISO	DN SMS	D1	Weight [kg]
20 - 32	1"	33.7 - 42.4	25	10	0.002
40 - 65	1 1/2" - 2 1/2"	48.3 - 76.1	38 - 63.5	12	0.002
80 - 100	3" - 4"	88.9 - 114.3	76.1 - 101.6	14	0.003
125 - 150		139.7 - 168.3		18	0.004
200				26	0.006



Color: bright orange

Seals, Valve Disks, Bushings and RFID Blanking Plugs

Valve Disk for Butterfly Valve Inch Series B

1.4301 (304)/1.4307 (304L)			1.4404 (316L)	
DN Inch	Price/EUR	Article No.	Price/EUR	Article No.
1"	18.30	3600 5401 1	19.95	3600 5401 2
1 1/2"	19.60	3600 5701 1	21.35	3600 5701 2
2"	22.15	3600 5801 1	23.90	3600 5801 2
2 1/2"	27.50	3600 5901 1	29.30	3600 5901 2
3"	38.86	3800 6001 1	41.47	3800 6001 2
4"	48.55	3600 6201 1	53.75	3600 6201 2

Bushing

DN DIN	DN Inch	Price/EUR	Article No.
10		2.20	1131
15 - 20		2.20	1032
25 - 32	1"	2.20	3810 060 14
40 - 65	1 1/2" - 2 1/2"	2.70	3810 090 14
80 - 100	3" - 4"	3.00	3810 120 14
125 - 150		3.75	3810 150 14
200		6.20	3810 200 14

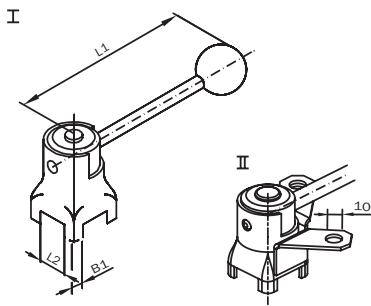
Bushing, conductive for ATEX

DN DIN	DN Inch	Price/EUR	Article No.	Additional cost
10		4.35	1137	2.15
15 - 20		4.35	1071	2.15
25 - 32	1"	4.50	1040	2.30
40 - 65	1 1/2" - 2 1/2"	9.65	1050	6.95
80 - 100	3" - 4"	10.25	1051	7.25
125 - 150		13.25	1065	9.50
200		18.60	1072	12.40

RFID blanking plugs

DN DIN	DN Inch	DN ISO	DN SMS	Price/EUR	Article No.
20 - 32	1"	33.7 - 42.4	25	11.65	3955 060 00
40 - 65	1 1/2" - 2 1/2"	48.3 - 76.1	38 - 63.5	11.65	3955 090 00
80 - 100	3" - 4"	88.9 - 114.3	76.1 - 101.6	12.70	3955 120 00
125 - 150		139.7 - 168.3		13.60	3955 150 00
200				14.45	3955 200 00

Handles and Accessories



I - Standard II - lockable also available with stainless steel ball

Standard Handle with Ball

DN DIN	DN Inch	B1	L1	L2	Weight [kg]
10 - 32	1"	9.5	107	20	0.40
40 - 65	1 1/2" - 2 1/2"	9.5	137	20	0.41
80 - 100	3" - 4"	9.5	167	32	0.85
125 - 150		14	248	32	1.83
200		14	276	32	1.92

Plastic Handle

DN DIN	DN Inch	B1	L1	L2	Weight [kg]
10 - 40	1" - 1 1/2"	9.5	105	20	0.15
50 - 65	2" - 2 1/2"	9.5	166	20	0.18
80 - 100	3" - 4"	9.5	166	32	0.17

Scissor Handle

DN DIN	DN Inch	B1	L1	L2	Weight [kg]
25 - 65	1" - 2 1/2"	9.5	145	20	0.29
80 - 100	3" - 4"	9.5	145	32	0.29

Handle, stepless

DN DIN	DN Inch	B1	L1	L2	Weight [kg]
25 - 65	1" - 2 1/2"	9.5	126	20	0.59
80 - 100	3" - 4"	9.5	145	32	0.97
125 - 200		14	233	32	2.17

Handles and Accessories

Standard Handle with Ball

		with plastic ball 1.4307 (304L)		with stainless steel ball 1.4307 (304L)		lockable with plastic ball 1.4307 (304L)	
DN DIN	DN Inch	Price/EUR	Article No.	Price/EUR	Article No.	Price/EUR	Article No.
10 - 32	1"	18.53	3901 060 00	40.94	3940 060 00	78.08	3961 060 00
40 - 65	1 1/2" - 2 1/2"	18.53	3901 090 00	40.94	3940 090 00	78.08	3961 090 00
80 - 100	3" - 4"	34.00	3901 120 00	64.72	3940 120 00	94.84	3961 120 00
125 - 150		67.57	3901 150 00	71.92	3940 150 00	102.66	3961 150 00
200		72.22	3901 200 00	138.31	3940 200 00		

Plastic Handle

DN DIN	DN Inch	Price/EUR	Article No.
10 - 40	1" - 1 1/2"	12.88	3903 072 00
50 - 65	2" - 2 1/2"	13.86	3903 092 00
80 - 100	3" - 4"	13.86	3903 122 00

Scissor Handle

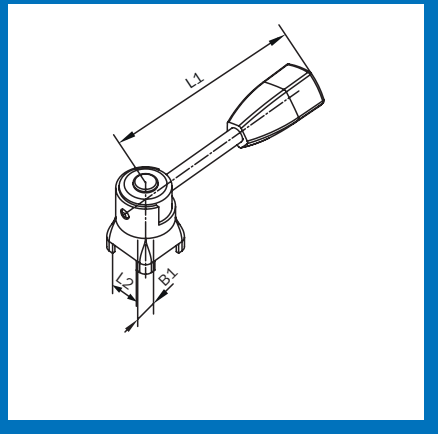
1.4307 (304L)			
DN DIN	DN Inch	Price/EUR	Article No.
25 - 65	1" - 2 1/2"	22.29	3903 090 00
80 - 100	3" - 4"	25.31	3903 120 00

Handle, stepless

1.4301 (304)			
DN DIN	DN Inch	Price/EUR	Article No.
25 - 65	1" - 2 1/2"	39.42	3902 090 00
80 - 100	3" - 4"	48.19	3902 120 00
125 - 200		84.90	3902 200 00

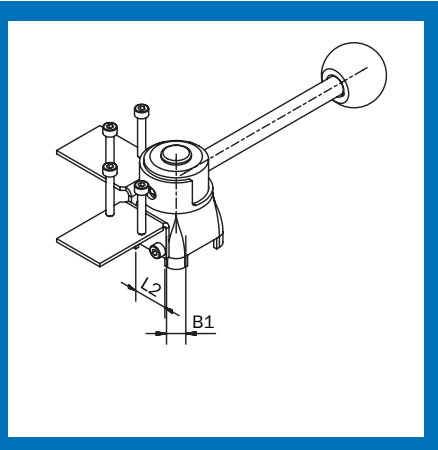
Handles and Accessories

Five-corner Handle



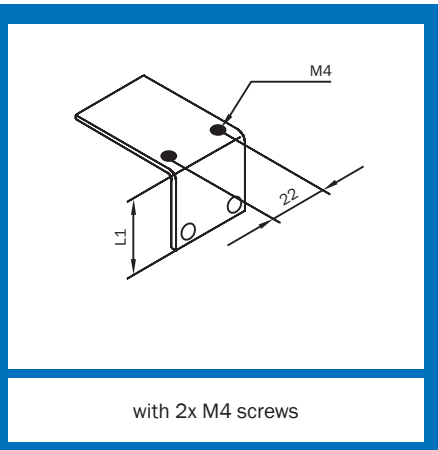
DN DIN	DN Inch	B1	L1	L2	Weight [kg]
10 - 32	1"	9.5	107	20	0.41
40 - 65	1 1/2" - 2 1/2"	9.5	137	20	0.43
80 - 100	3" - 4"	9.5	170	32	0.90

Handle for mechanical Limit Switch



DN DIN	DN Inch	B1	L2	Weight [kg]
10 - 32	1"	9.5	20	0.62
40 - 65	1 1/2" - 2 1/2"	9.5	20	0.63
80 - 100	3" - 4"	9.5	32	1.06
125 - 150		14	32	2.04
200		14	32	2.12

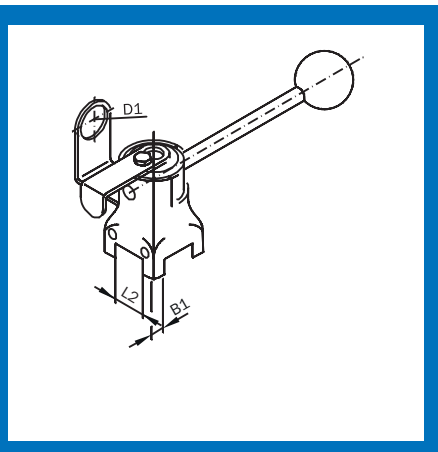
Retaining Plate for mechanical Limit Switch



with 2x M4 screws

DN DIN	DN Inch	L1
10 - 65	1" - 2 1/2"	15
80 - 100	3" - 4"	20
125 - 200		25

Handle for Inductive Sensor (installation position horizontal)



DN DIN	DN Inch	D1	B1	L2	Weight [kg]
10 - 32	1"	12.3	9.5	20	0.8
40 - 65	1 1/2" - 2 1/2"	12.3	9.5	20	0.9
80 - 100	3" - 4"	12.3	9.5	32	1.3
125 - 150		12.3	14	32	2.3
200		12.3	14	32	2.0
10 - 32	1"	18.3	9.5	20	0.8
40 - 65	1 1/2" - 2 1/2"	18.3	9.5	20	0.9
80 - 100	3" - 4"	18.3	9.5	32	1.3
125 - 150		18.3	14	32	2.3
200		18.3	14	32	2.0

Handles and Accessories

Five-corner Handle

1.4307 (304L)			
DN DIN	DN Inch	Price/EUR	Article No.
10 - 32	1"	18.53	3943 060 00
40 - 65	1 1/2" - 2 1/2"	18.53	3943 090 00
80 - 100	3" - 4"	34.00	3943 120 00

Handle for mechanical Limit Switch

Open/Closed 1.4301 (304) / 1.4307 (304L)			
DN DIN	DN Inch	Price/EUR	Article No.
10 - 32	1"	51.03	3904 060 00
40 - 65	1 1/2" - 2 1/2"	51.03	3904 090 00
80 - 100	3" - 4"	72.11	3904 120 00
125 - 150		*	3904 150 00
200		*	3904 200 00

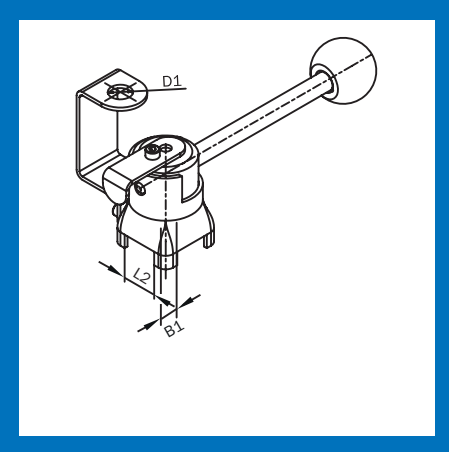
Retaining Plate for mechanical Limit Switch

1.4301 (304)			
DN DIN	DN Inch	Price/EUR	Article No.
10 - 65	1" - 2 1/2"	14.05	3904 090 01
80 - 100	3" - 4"	16.87	3904 120 01
125 - 200		*	3904 200 01

Handle for Inductive Sensor (installation position horizontal)

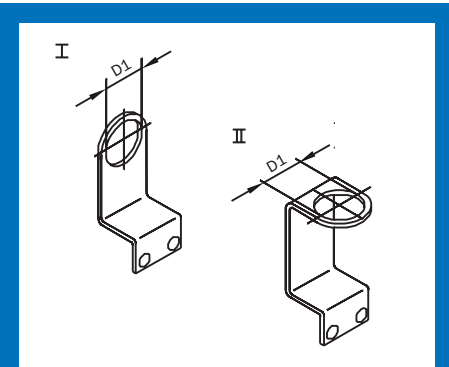
Open/Closed 1.4301 (304) / 1.4307 (304L)			
DN DIN	DN Inch	Price/EUR	Article No.
10 - 32	1"	38.24	3905 060 10
40 - 65	1 1/2" - 2 1/2"	38.24	3905 090 10
80 - 100	3" - 4"	57.62	3905 120 10
125 - 150		102.46	3905 150 10
200		102.46	3905 200 10
10 - 32	1"	38.24	3905 060 00
40 - 65	1 1/2" - 2 1/2"	38.24	3905 090 00
80 - 100	3" - 4"	57.62	3905 120 00
125 - 150		102.46	3905 150 00
200		102.46	3905 200 00

Handles and Accessories



Handle for Inductive Sensor (installation position vertical)

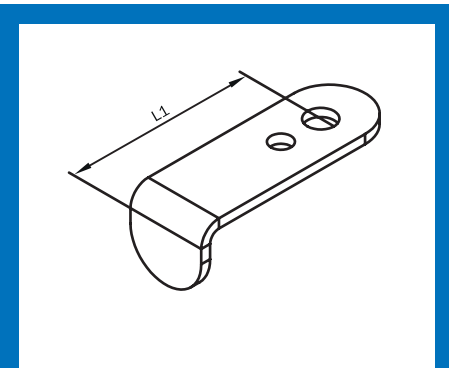
DN DIN	DN Inch	D1	B1	L2	Weight [kg]
10 - 32	1"	12.3	9.5	20	0.8
40 - 65	1 1/2" - 2 1/2"	12.3	9.5	20	0.9
80 - 100	3" - 4"	12.3	9.5	32	1.3
125 - 150		12.3	14	32	2.3
200		12.3	14	32	2.4
10 - 32	1"	18.3	9.5	20	0.8
40 - 65	1 1/2" - 2 1/2"	18.3	9.5	20	0.9
80 - 100	3" - 4"	18.3	9.5	32	1.3
125 - 150		18.3	14	32	2.3
200		18.3	14	32	2.4



I - horizontal II - vertical
Not suitable for retrofitting.

Spare Part Retaining Plate for Inductive Sensor

DN DIN	DN Inch	D1
10 - 65	1" - 2 1/2"	12.3
80 - 100	3" - 4"	12.3
125 - 200		12.3
10 - 65	1" - 2 1/2"	18.3
80 - 100	3" - 4"	18.3
125 - 200		18.3



with 1 x M4 screw

Contact Plate for Inductive Sensor

DN DIN	DN Inch	L1
10 - 100	1" - 4"	35
125 - 200		45

Handles and Accessories

Handle for Inductive Sensor (installation position vertical)

		Open/Closed 1.4301 (304) /1.4307 (304L)	
DN DIN	DN Inch	Price/EUR	Article No.
10 - 32	1"	38.24	3906 060 10
40 - 65	1 1/2" - 2 1/2"	38.24	3906 090 10
80 - 100	3" - 4"	57.62	3906 120 10
125 - 150		102.46	3906 150 10
200		102.46	3906 200 10
10 - 32	1"	38.24	3906 060 00
40 - 65	1 1/2" - 2 1/2"	38.24	3906 090 00
80 - 100	3" - 4"	57.62	3906 120 00
125 - 150		102.46	3906 150 00
200		102.46	3906 200 00

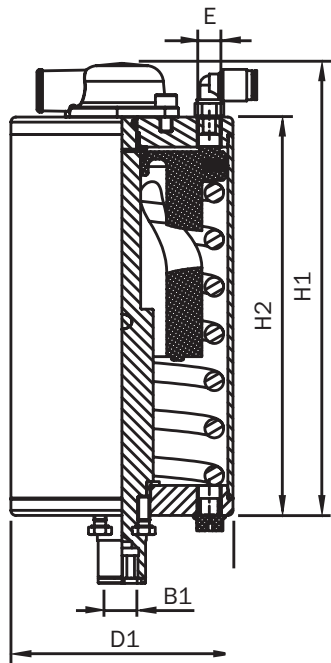
Spare Part Retaining Plate for Inductive Sensor

		horizontal 1.4301 (304) /1.4307 (304L)		vertical 1.4301 (304) /1.4307 (304L)	
DN DIN	DN Inch	Price/EUR	Article No.	Price/EUR	Article No.
10 - 65	1" - 2 1/2"	5.55	3905 091 03	5.55	3906 091 03
80 - 100	3" - 4"	7.52	3905 121 03	7.52	3906 121 03
125 - 200		11.73	3905 201 03	11.73	3906 201 03
10 - 65	1" - 2 1/2"	5.55	3905 091 01	5.55	3906 091 01
80 - 100	3" - 4"	7.52	3905 121 01	7.52	3906 121 01
125 - 200		11.73	3905 201 01	11.73	3906 201 01

Contact Plate for Inductive Sensor

		1.4301 (304) /1.4307 (304L)	
DN DIN	DN Inch	Price/EUR	Article No.
10 - 100	1" - 4"	4.22	3905 121 02
125 - 200		6.98	3905 201 02

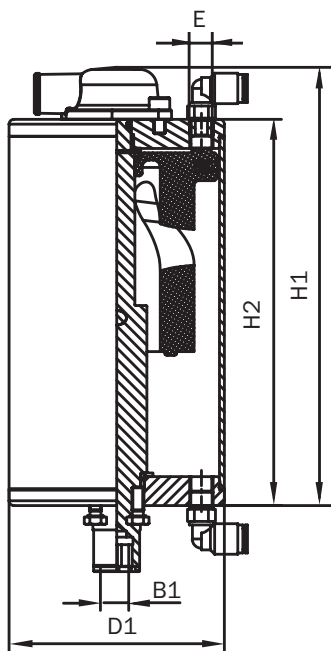
Actuators and Accessories



5 - 10 bar

Pneumatic Actuator VMove® Air/Spring

DN DIN	DN Inch	D1	E	B1	H1	H2	Design	Weight [kg]
10 - 40		70	G 1/8"	9.5	171.5	150	VMove® 0	2.4
25 - 100	1" - 4"	89	G 1/8"	9.5	181	159.50	VMove® 1	3.14
125 - 200	5" - 6"	129	G 1/8"	14	238.5	217	VMove® 2	9.45



3 - 6 bar

Pneumatic Actuator VMove® Air/Air

DN DIN	DN Inch	D1	E	B1	H1	H2	Design	Weight [kg]
25 - 100	1" - 4"	89	G 1/8"	9.5	181	159.5	VMove® 1	2.22
125 - 200	5" - 6"	129	G 1/8"	14	238.5	217	VMove® 2	7.5

Actuators and Accessories

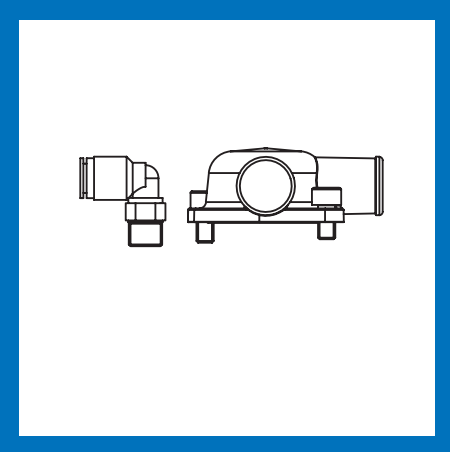
Pneumatic Actuator VMove® Air/Spring

clockwise			
DN DIN	DN Inch	Price/EUR	Article No.
10 - 40		189.35	3950 070 00E
25 - 100	1" - 4"	202.22	3952 120 00
125 - 200	5" - 6"	566.00	3952 200 00

Pneumatic Actuator VMove® Air/Air

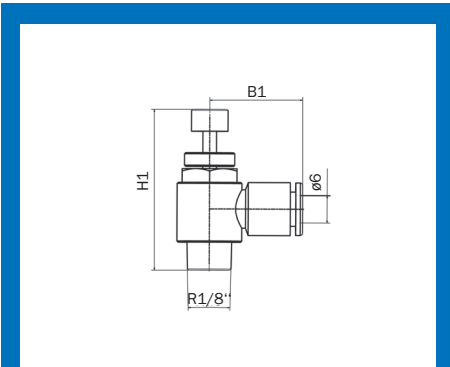
clockwise			
DN DIN	DN Inch	Price/EUR	Article No.
25 - 100	1" - 4"	188.31	3954 120 00
125 - 200	5" - 6"	505.16	3954 200 00

Actuators and Accessories



Service Kit Position Indicator for VMove®

DN DIN	Weight [kg]
10 - 100	0.07
125 - 200	0.08



Angle Throttle Check Valve

E	H1	B1	Weight [kg]
R 1/8"	35	28	0.019

Exhaust air throttled

Actuators and Accessories

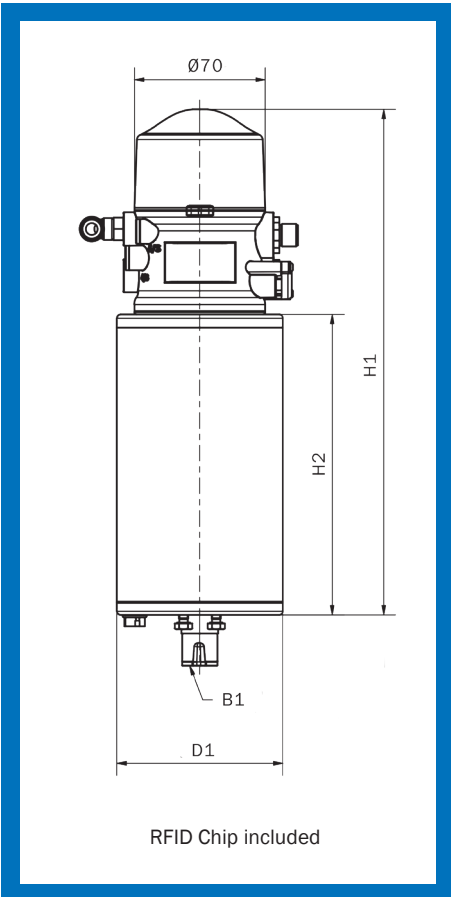
Service Kit Position Indicator for VMove®

DN DIN	Price/EUR	Article No.
10 - 100	9.20	3952 122 00
125 - 200	9.80	3952 202 00

Angle Throttle Check Valve

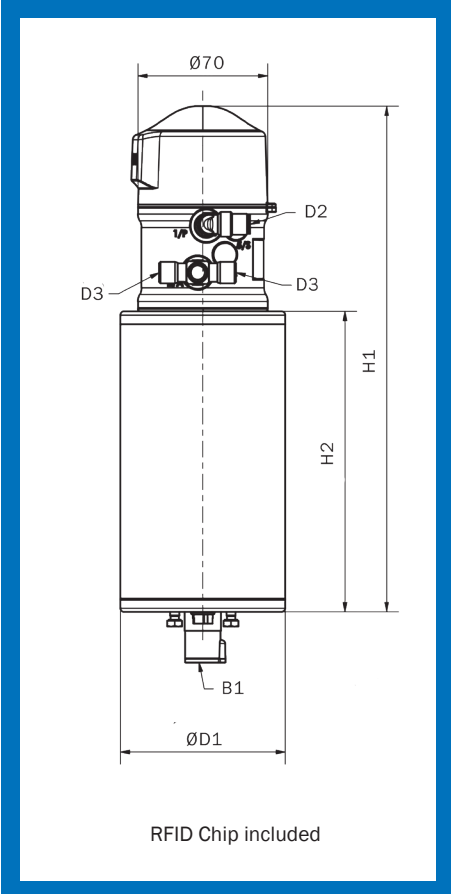
E	Price/EUR	Article No.
R 1/8"	16.50	420093

Actuators and Accessories



Actuator VMove® Air/Spring with VMON® II Control Head

DN DIN	D1	B1	H1	H2	Design	Wt. [kg]
10-40	70	9.5	259	150	VMove 0	2.75
25 - 100	89	9.5	268	159.5	VMove 1	3.47
125 - 200	129	14	326	217	VMove 2	9.73



Actuator VMove® Air/Spring with VMON® II Control Head f. Leakage Butterfly Valves pn.

DN DIN	D1	D2	D3	B1	H1	H2	Design	Wt. [kg]
25-100	89	6	6	9,5	268	159.5	for LSVP without sensor preparation + VMove1	3.49
25-100	89	6	4	9,5	268	159.5	for LSVP with sensor preparation + VMove 1	3.48
125-150	129	6	6	14	326	217	for LSVP without sensor prep. + VMove 2	9.76
125-150	129	6	4	14	326	217	for LSVP with sensor preparation + VMove 2	9.75

Actuators and Accessories

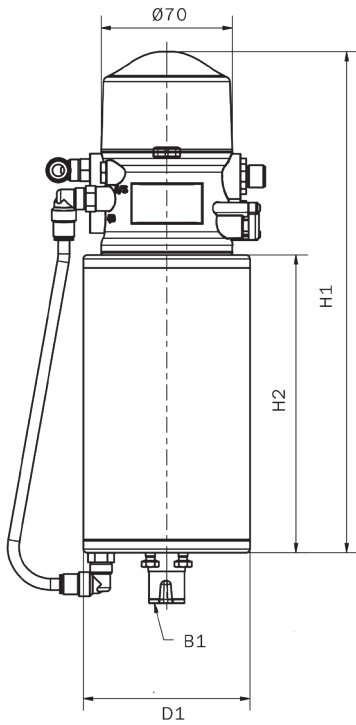
Actuator VMove® Air/Spring mit VMON® II Control Head

24V DC / Terminal Bar a. Screw Connection			ASi / 4 Pin Plug Connection		24V DC / 8 Pin Plug Connection	
DN DIN	Price/EUR	Article No.	Price/EUR	Article No.	Price/EUR	Article No.
10-40	590.43	3970 071 10R	649.03	3970 071 20R	646.43	3970 071 40R
25 - 100	603.30	3970 121 10R	661.90	3970 121 20R	659.30	3970 121 40R
125 - 200	967.08	3970 201 10R	1025.68	3970 201 20R	1023.08	3970 201 40R

Actuator VMove® Air/Spring mit VMON® II Control Head for Leakage Butterfly Valves pn.

24V DC / Terminal Bar a. Screw Connection			ASi / 4 Pin Plug Connection		24V DC / 8 Pin Plug Connection	
DN DIN	Price/EUR	Article No.	Price/EUR	Article No.	Price/EUR	Article No.
25-100	649.00	3970 121 16R	707.60	3970 121 26R	705.00	3970 121 46R
25-100	649.00	3970 121 14R	707.60	3970 121 24R	705.00	3970 121 44R
125-150	1012.78	3970 201 16/70R	1071.38	3970 201 26/70R	1068.78	3970 201 46/70R
125-150	1012.78	3970 201 14/70R	1071.38	3970 201 24/70R	1068.78	3970 201 44/70R

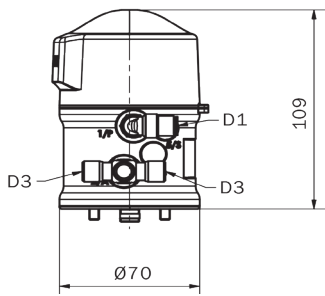
Actuators and Accessories



RFID Chip included

Actuator VMove® Air/Air with VMON® II Control Head

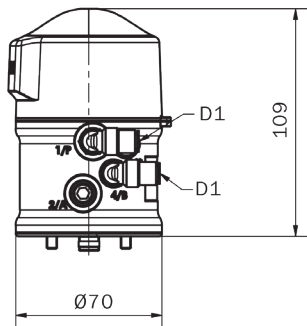
DN DIN	D1	B1	H1	H2	Design	Weight [kg]
25 - 100	89	9.5	268	159.5	VMove 1	2.47
125 - 200	129	14	326	217	VMove 2	7.77



RFID Chip included

VMON® II Control Head Single act

DN	Designation	D1	D3	Weight [kg]
10 - 200	for VMove® 0+1+2	6	-	0.27
25 - 100	for Leakage Butterfly Valve without Sensor Preparation + VMove® 1	6	6	0.29
25 - 100	for Leakage Butterfly Valve with Sensor Preparation + VMove® 1	6	4	0.29
125-150	for Leakage Butterfly Valve without Sensor Preparation + VMove® 2	6	6	0.29
125-150	for Leakage Butterfly Valve with Sensor Preparation+ VMove® 2	6	4	0.29



RFID Chip included

VMON® II Control Head Double act

DN	Designation	D1	D2	Weight [kg]
25 - 200	für VMove® 1+2	6	-	0.28

Actuators and Accessories

Actuator VMove® Air/Air with VMON II® Control Head

24V DC / Terminal Bar a. Screw Connection		ASi / 4 Pin Plug Connection	
DN DIN	Price/EUR	Article No.	Article No.
25 - 100	691.20	3970 122 10R	3970 122 20R
125 - 200	1054.60	3970 202 10R	3970 202 20R

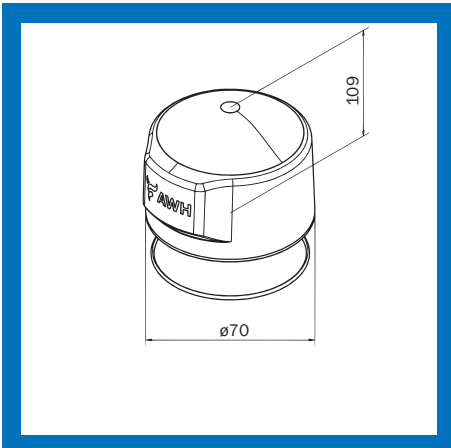
VMON® II Control Head Single act

24V DC / Terminal Bar a. Screw Connection		ASi / 4 Pin Plug Connection		24V DC / 8 Pin Plug Connection		
DN	Price/EUR	Article No.	Price/EUR	Article No.	Price/EUR	Article No.
10 - 200	341.60	3957 071 10R	459.40	3957 071 20R	397.60	3957 071 40R
25 - 100	387.30	3957 071 16R	505.10	3957 071 26R	443.30	3957 071 46R
25 - 100	387.30	3957 071 14R	505.10	3957 071 24R	443.30	3957 071 44R
125-150	387.30	3957 071 16/70R	505.10	3957 071 26/70R	443.30	3957 071 46/70R
125-150	387.30	3957 071 14/70R	505.10	3957 071 24/70R	443.30	3957 071 44/70R

VMON® II Control Head Double act

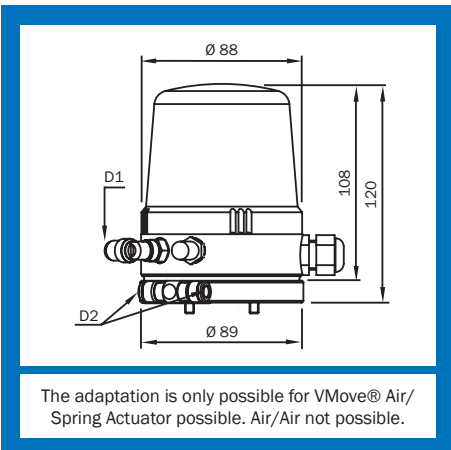
24V DC / Terminal Bar a. Screw Connection		ASi / 4 Pin Plug Connection	
DN	Price/EUR	Article No.	Article No.
25 - 200	429.50	3957 072 10R	3957 072 20R

Actuators and Accessories



Spare Parts for VMON® II Control Head

Spare Part	Weight [kg]
Accessories VMON® II	0.056
Accessories VMON® II for LSVP DN125-150	0.056
Cap for VMON® II included. O-Ring	0.032
3/2-Way-Valve Set inkluded. Gasket and Screws	0.030
5/2-Way-Valve Set inkluded Gasket and Screws	0.050
Gasket for 3/2-Way-Valve	0.001
Gasket for 5/2-Way-Valve	0.001
O-Ringe for VMON® II for Hood and Base	0.003



The adaptation is only possible for VMove® Air/
Spring Actuator possible. Air/Air not possible.

Retrofit Set VMON® for VMove®

DN	Designation	D1	D2	Weight [kg]
25 - 200	VMON®-VMove® Adaptation Standard			0.93
25 - 150	VMON®-VMove® Adaptation Leakage Butterfly Valve with Sensor Feedback	6	4	0.94
25 - 150	VMON®-VMove® Adaptation Leakage Butterfly Valve without Sensor Feedback	6	6	0.97

Spare Parts:

O-Ring

Solenoid Control complete

Actuators and Accessories

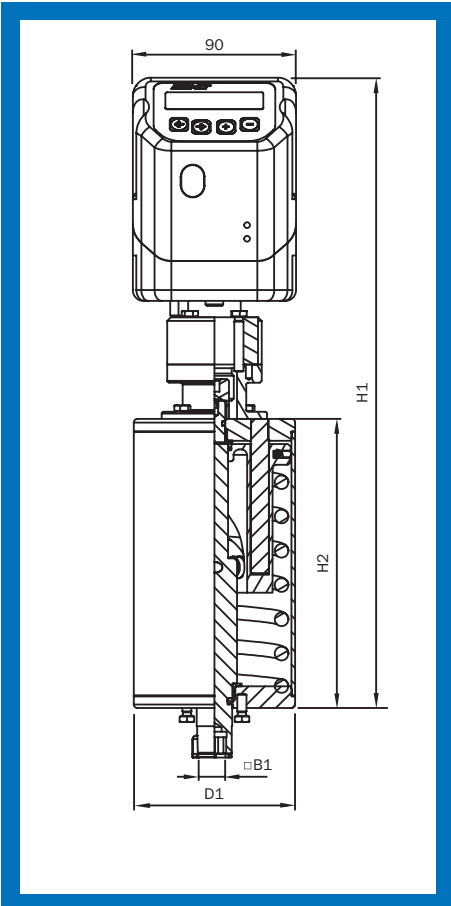
Spare Parts for VMON® II Control Head

	Price/EUR	Article No.
	20.15	3957 07 200
	20.15	3957 07 270
	76.10	3957 07 801
	200.05	3957 07 813
	203.95	3957 07 815
	5.60	3957 07 803
	5.70	3957 07 804
	15.25	3957 07 810

Retrofit Set VMON® for VMove®

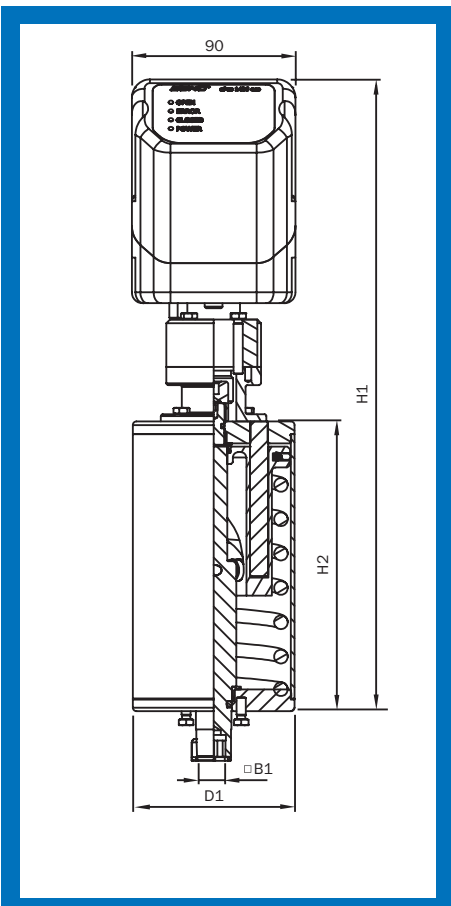
DN	24V DC / Terminal Bar a. Screw Connection		ASi / 4 Pin Plug Connection		24V DC / 8 Pin Plug Connection		
	Price/EUR	Article No.	Price/EUR	Article No.	Price/EUR	Article No.	
25 - 200	348.29	3958 12 001	468.30	3958 12 101	398.69	3958 12 071	
25 - 150	380.73	3958 12 051	500.85	3958 12 151	431.13	3958 12 081	4 mm tube required
25 - 150	380.73	3958 12 061	500.85	3958 12 161	431.13	3958 12 091	
	2.10	1060 500 003 254					
	23.94	3958 120 30					

Actuators and Accessories



Actuator VMove® with Gemü 1436cPos

DN DIN	D1	B1	H1	H2	Weight [kg]
25 - 100	89	9.5	347.5	159.5	4.40
125 - 200	129	14	405	217	10.71



Actuator VMove® with Gemü 1436cPos eco

DN DIN	D1	B1	H1	H2	Weight [kg]
25 - 100	89	9.5	347.5	159.5	4.38
125 - 200	129	14	405	217	10.69

Actuators and Accessories

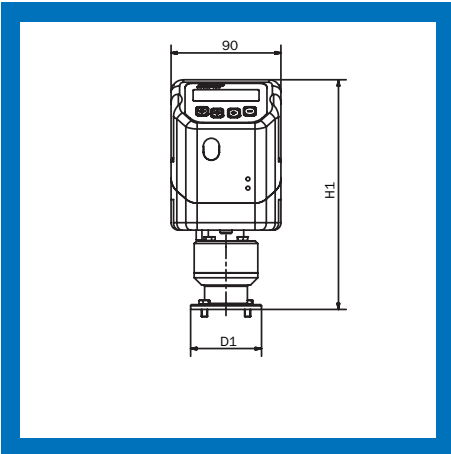
Actuator VMove® with Gemü 1436cPos

Position Controller			Process and Position Controller	
DN DIN	Price/EUR	Article No.	Price/EUR	Article N..
25 - 100	2172.00	3958 122 00	2399.15	3958 123 50
125 - 200	2470.00	3958 202 00	2697.15	3958 203 50

Actuator VMove® with Gemü 1436cPos eco

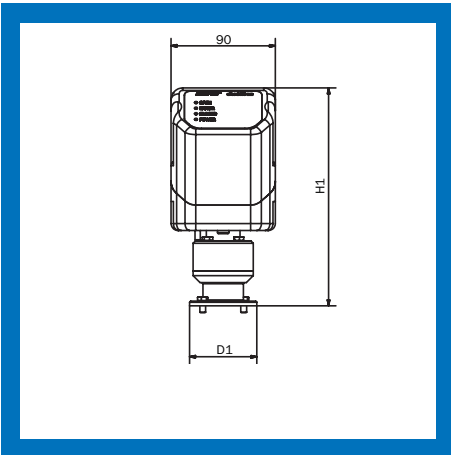
Position Controller		
DN DIN	Price/EUR	Article No.
25 - 100	1780.00	3958 123 00
125 - 200	2221.00	3958 203 00

Actuators and Accessories



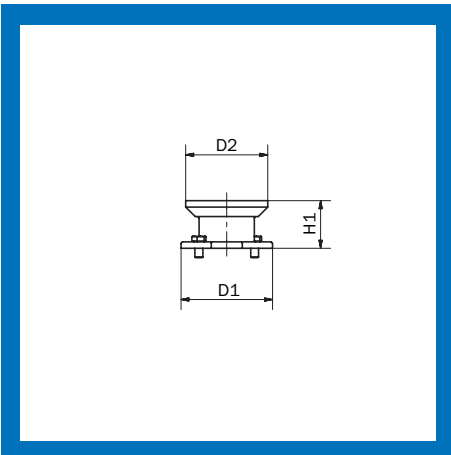
Retrofit Set GEMÜ 1436cPos for VMove®

DN DIN	D1	H1	Weight [kg]
25 - 200	58	188	1.29



Retrofit Set GEMÜ 1436cPos eco for VMove®

DN DIN	D1	H1	Weight [kg]
25 - 200	58	188	1.27



Retrofit Set GEMÜ 1436 and GEMÜ 1436eco for VMove®

DN DIN	D1	D2	H1	Weight [kg]
25 - 200	58	52	30	0.28

Actuators and Accessories

Retrofit set GEMÜ 1436cPos for VMove®

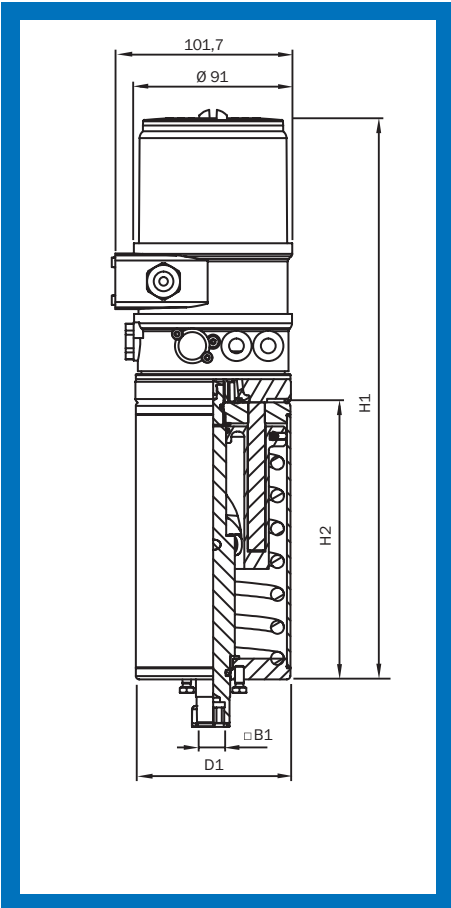
Position Controller			Process and Position Controller	
DN DIN	Price/EUR	Article No.	Price/EUR	Article No.
25 - 200	1984.00	3958 122 01	2211.15	3958 123 51

Retrofit Set GEMÜ 1436cPos eco for VMove®

Position Controller		
DN DIN	Price/EUR	Article No.
25 - 200	1592.00	3958 123 01

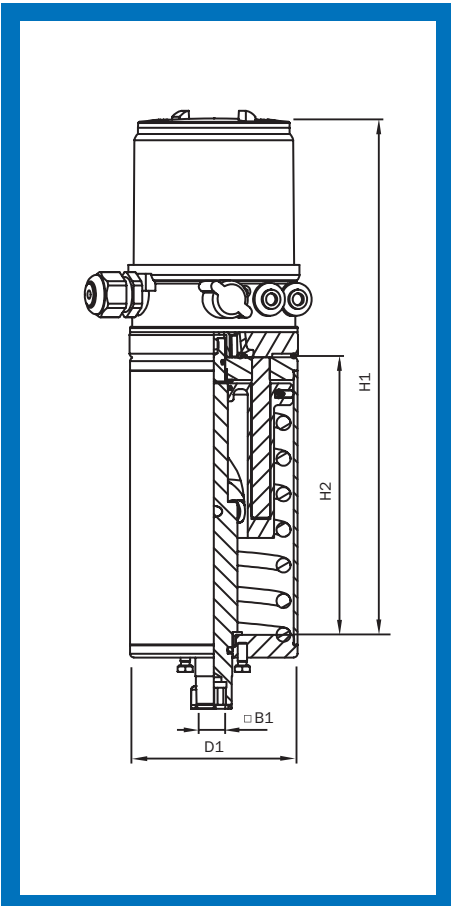
Retrofit Set GEMÜ 1436 and GEMÜ 1436eco for VMove®

1.4301 (304) /1.4307 (304L)		
DN DIN	Price/EUR	Article No.
25 - 200	87.65	3958 122 51



Actuator VMove® with Bürkert 8692 and Bürkert 8693

DN DIN	D1	B1	H1	H2	Weight [kg]
25 - 100	89	9.5	323.5	159.5	4.75
125 - 200	129	14	381	217	11.06



Actuator VMove® with Bürkert 8694

DN DIN	D1	B1	H1	H2	Weight [kg]
25 - 100	89	9.5	286.2	159.5	4.52
125 - 200	129	14	343.7	217	10.83

Actuators and Accessories

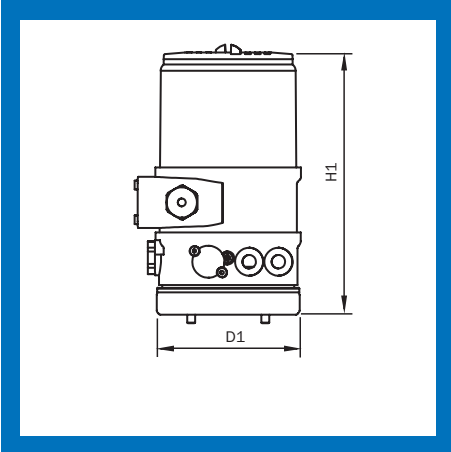
Actuator VMove® with Bürkert 8692 and Bürkert 8693

Position Controller 8692			Process and Position Controller 8693	
DN DIN	Price/EUR	Article No.	Price/EUR	Article No.
25 - 100	2975.00	3958 125 00	3053.00	3958 124 00
125 - 200	3338.00	3958 205 00	3415.00	3958 204 00

Actuator VMove® with Bürkert 8694

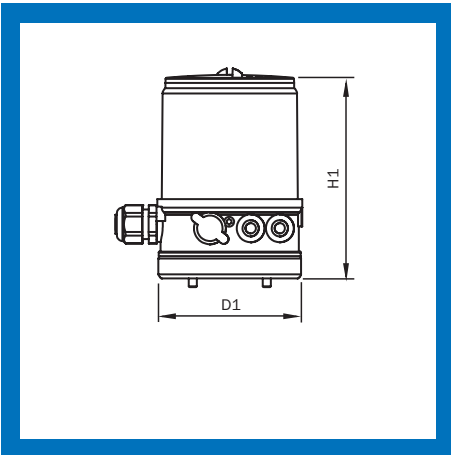
Position Controller 8694		
DN DIN	Price/EUR	Article No.
25 - 100	2115.00	3958 124 50
125 - 200	2479.00	3958 204 50

Actuators and Accessories



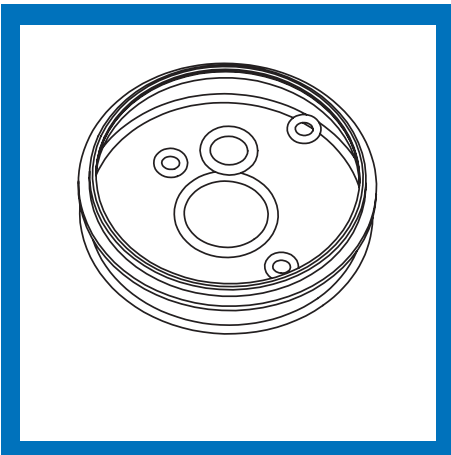
Retrofit set Bürkert 8692 and Bürkert 8693 for VMove®

DN DIN	D1	H1	Weight [kg]
25 - 200	89.5	164	1.66



Retrofit Set Bürkert 8694 for VMove®

DN DIN	D1	H1	Weight [kg]
25 - 200	89.5	126.7	1.48



Sealing Set VMove® 1-and -2 Bürkert for 8692/8693/8694

DN DIN	Weight [kg]
25 - 200	0.007

Actuators and Accessories

Retrofit set Bürkert 8692 and Bürkert 8693 for VMove®

Position Controller 8692			Process and Position Controller 8693	
DN DIN	Price/EUR	Article No.	Price/EUR	Article No.
25 - 200	2772.50	3958 125 01	2850.50	3958 124 01

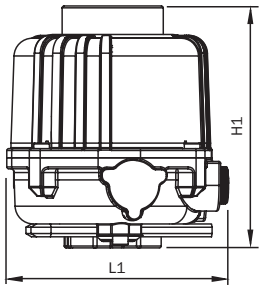
Retrofit Set Bürkert 8694 for VMove®

Position Controller 8694		
DN DIN	Price/EUR	Article No.
25 - 200	1912.50	3958 124 51

Sealing Set VMove® 1- and -2 Bürkert for 8692/8693/8694

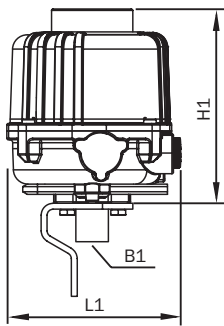
Sealing Set		
DN DIN	Price/EUR	Article No.
25 - 200	49.20	3958 124 10

Actuators and Accessories



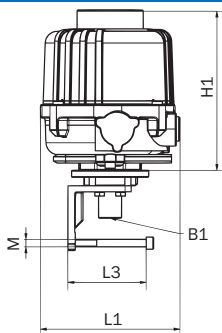
E-Actuator Type E1

DN	L1	H1	Weight [kg]
25 - 50	121	132	1.50



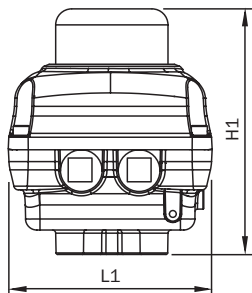
Set E-Actuator Type E1 for Butterfly Valve

DN	L1	H1	B1	Weight [kg]
25	121	132	9.5	1.85
32	121	132	9.5	1.86
40	121	132	9.5	1.88
50	121	132	9.5	1.91



Set E-Actuator Type E1 for KZFA Butterfly Valve

DN	L1	H1	B1	L3	M	Weight [kg]
25 - 32	121	132	9.5	65	M6	1.95
40	121	132	9.5	65	M6	1.94
50	121	132	9.5	65	M6	1.95



E-Actuator Typ E2

DN	L1	H1	Weight [kg]
65 - 100	127	153	2.87

Actuators and Accessories

E-Actuator Type E1

24V			230V	
DN	Price/EUR	Article No.	Price/EUR	Article No.
25 - 50	397.00	39124	397.00	39123

Set E-Actuator Type E1 for Butterfly Valve

24V			230V	
DN	Price/EUR	Article No.	Price/EUR	Article No.
25	511.20	3912 051 01	511.20	3912 051 11
32	516.30	3912 061 01	516.30	3912 061 11
40	521.30	3912 071 01	521.30	3912 071 11
50	523.00	3912 081 01	523.00	3912 081 11

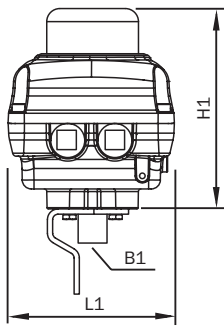
Set E-Actuator Type E1 for KZFA Butterfly Valve

24V			230V	
DN	Price/EUR	Article No.	Price/EUR	Article No.
25 - 32	542.15	3912 062 01	542.15	3912 062 11
40	547.40	3912 072 01	547.40	3912 072 11
50	549.15	3912 082 01	519.15	3912 082 11

E-Actuator Typ E2

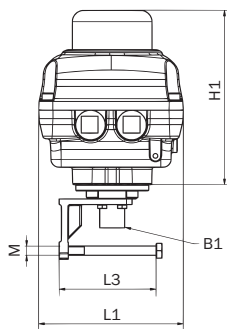
24V			230V	
DN	Price/EUR	Article No.	Price/EUR	Article No.
65 - 100	581.00	39126	581.00	39125

Actuators and Accessories



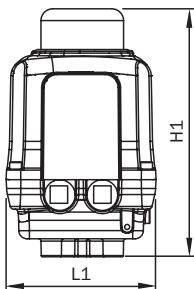
Set E-Actuator Type E2 for Butterfly Valve

DN	L1	H1	B1	Weight [kg]
65	127	153	9.5	3.33
80	127	153	9.5	3.40
100	127	153	9.5	3.45



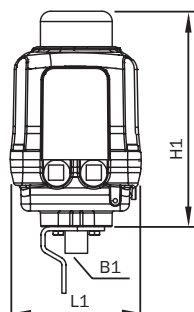
Set E-Actuator Type E2 for KZFA Butterfly Valve

DN	L1	H1	B1	L3	M	Weight [kg]
65	127	153	9.5	65	M6	3.34
80 - 100	127	153	9.5	85	M8	3.43



E-Actuator Type E2-PCU (Position Controller)

DN	L1	H1	Weight [kg]
65 - 100	127	210	4.09



Set E-Actuator Type E2-PCU for Butterfly Valve (Position Controller)

DN	L1	H1	B1	Weight [kg]
65	127	210	9.5	4.55
80	127	210	9.5	4.61
100	127	210	9.5	4.67

Actuators and Accessories

Set E-Actuator Type E2 for Butterfly Valve

24V			230V	
DN	Price/EUR	Article No.	Price/EUR	Article No.
65	740.60	3912 091 01	740.60	3912 091 11
80	748.00	3912 101 01	748.00	3912 101 11
100	755.50	3912 121 01	755.50	3912 121 11

Set E-Actuator Type E2 for KZFA Butterfly Valve

24V			230V	
DN	Price/EUR	Article No.	Price/EUR	Article No.
65	777.65	3912 092 01	777.65	3912 092 11
80 - 100	793.28	3912 102 01	793.28	3912 122 11

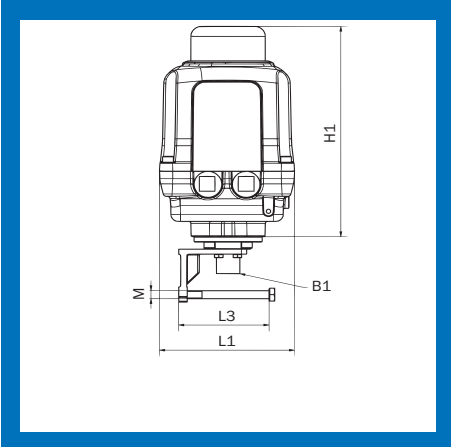
E-Actuator Type E2-PCU (Position Controller)

24V			230V	
DN	Price/EUR	Article No.	Price/EUR	Article No.
65 - 100	1582.00	39128	1582.00	39127

Set E-Actuator Type E2-PCU for Butterfly Valve (Position Controller)

24V			230V	
DN	Price/EUR	Article No.	Price/EUR	Article No.
65	1789.40	3912 091 21	1789.40	3912 091 31
80	1807.30	3912 101 21	1807.30	3912 101 31
100	1889.50	3912 121 21	1889.50	3912 121 31

Actuators and Accessories



Set E-Actuator Type E2-PCU for KZFA Butterfly Valve

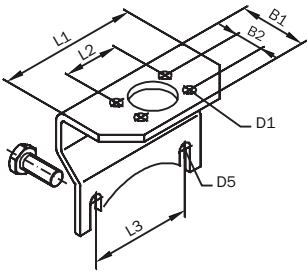
DN	L1	H1	B1	L3	M	Weight [kg]
65	127	210	9.5	65	M6	4.57
80 - 100	127	210	9.5	85	M8	4.66

Actuators and Accessories

Set E-Actuator Type E2-PCU for KZFA Butterfly Valve

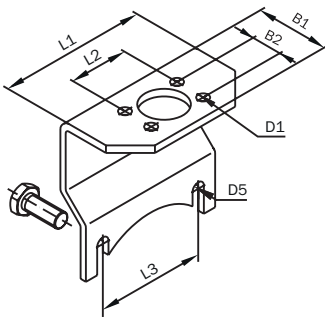
24V		230V		
DN	Price/EUR	Article No.	Price/EUR	Article No.
65	1878.90	3912 092 21	1878.90	3912 092 31
80 - 100	1984.00	3912 122 21	1984.00	3912 122 31

Actuators and Accessories



Retaining bracket

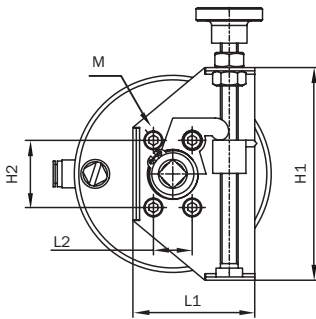
DN DIN	DN Inch	D1	D5	B1	B2	L1	L2	L3	Weight [kg]
10 - 20		5.5	6.6	52	17.5	55	30.3	31.1	0.096
25	1"	6	9	52	17.5	78	30.3	51.6	0.201
32		6	9	52	17.5	82	30.3	55.1	0.211
40	1 1/2"	6	9	52	17.5	86	30.3	58.3	0.233
50	2"	6	9	52	17.5	96	30.3	67.5	0.250
65	2 1/2"	6	9	52	17.5	108	30.3	79.5	0.286
80	3"	6	9	59	17.5	118	30.3	90.2	0.335
100	4"	6	9	59	17.5	132	30.3	104.3	0.380
125		9	11	60	25.4	120	44	90	0.342
150 - 200		9	11	60	25.4	135	44	105	0.408



Retaining Plate raised

DN DIN	DN Inch	D1	D5	B1	B2	L1	L2	L3	Weight [kg]
25	1"	6	9	52	17.5	78	30.3	51.6	0.242
32		6	9	52	17.5	82	30.3	55.1	0.254
40	1 1/2"	6	9	52	17.5	86	30.3	58.3	0.265
50	2"	6	9	52	17.5	96	30.3	67.5	0.289
65	2 1/2"	6	9	52	17.5	108	30.3	79.5	0.329
80	3"	6	9	59	17.5	118	30.3	90.2	0.393
100	4"	6	9	59	17.5	132	30.3	104.3	0.438
125		9.5	11	64	25.4	120	44	90	0.464
150 - 200		9.5	11	64	25.4	135	44	105	0.529

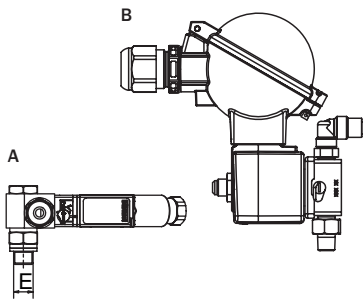
Raised retaining plate for stroke limitation and T-butterfly valve with switching combination



Stroke Limitation

DN DIN	DN Inch	D1	L1	L2	H1	H2	Weight [kg]
25 - 100	1" - 4"	M5	55	17.6	96	30.3	0.25
125 - 200		M8	75	25.4	118	44	0.70

Raised retaining plate is not included in the scope of delivery



Solenoid Valve

DN DIN	E
10 - 200	R 1/8"

A - Standard B - ATEX

Actuators and Accessories

Retaining bracket

1.4307 (304L)			
DN DIN	DN Inch	Price/EUR	Article No.
10 - 20		21.50	3912 040 01
25	1"	19.94	3912 050 01
32		19.94	3912 060 01
40	1 1/2"	19.94	3912 070 01
50	2"	19.94	3912 080 01
65	2 1/2"	19.94	3912 090 01
80	3"	25.31	3912 100 01
100	4"	25.31	3912 120 01
125		50.11	3912 130 01
150 - 200		53.44	3912 150 01

Retaining Plate raised

1.4307 (304L)			
DN DIN	DN Inch	Price/EUR	Article No.
25	1"	49.85	3919 050 01
32		49.85	3919 060 01
40	1 1/2"	49.85	3919 070 01
50	2"	49.85	3919 080 01
65	2 1/2"	49.85	3919 090 01
80	3"	63.30	3919 100 01
100	4"	63.30	3919 120 01
125		125.30	3919 130 01
150 - 200		133.60	3919 150 01

Stroke Limitation

Open position adjustable 1.4307 (304L)				Closed position adjustable 1.4307 (304L)	
DN DIN	DN Inch	Price/EUR	Article No.	Price/EUR	Article No.
25 - 100	1" - 4"	195.25	3950 120 01	195.25	3962 120 01
125 - 200		396.10	3950 200 01	396.10	3962 200 01

Stroke Limitation

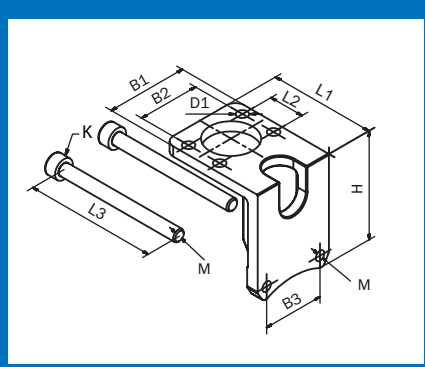
The setting is performed using a handwheel and with the aid of a scale.
Important!
 Open position adjustable: The adjustment may not be actuated unless the valve is closed!
 Closed position adjustable: The adjustment may not be actuated unless the valve is open!
 A locknut is used to secure against inadvertent adjustment. The stroke limitation can be set up on actuators of butterfly valves DN25 - DN200.
 A raised retaining plate is required for the assembly of the stroke limitation.

Solenoid Valve

Standard (A)			ATEX (B)	
DN DIN	Price/EUR	Article No.	Price/EUR	Article No.
10 - 200	216.70	3900 46	379.50	3900 47

24V / DC
 Connection: R 1/8"
 Hose diameter: D = 6 mm
 Manual override type: 3/2-way

Actuators and Accessories



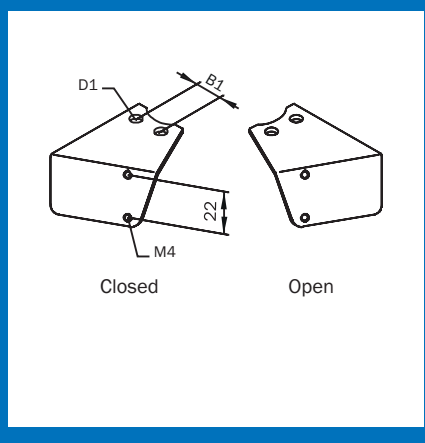
Screws are not included in the scope of delivery.

Retaining Plate for Compact Intermediate Flange Butterfly Valve

DN DIN	DN Inch	D1	M	L1	L2	H	B1	B2	B3	$\frac{L}{3}$	K	Weight [kg]
10 - 20		6	M5	52.5	17.5	53	40	30.3	27.6	65	Hex.	0.13
25 - 32	1"	6	M6	52.5	17.5	50.5	40	30.3	19	65	Cyl.	0.12
40	1 1/2"	6	M6	52.5	17.5	53	40	30.3	22	65	Cyl.	0.13
50 - 65	2" - 2 1/2"	6	M6	52.5	17.5	53	40	30.3	30	65	Cyl.	0.14
80 - 100	3" - 4"	6	M8	62	17.5	53	40	30.3	30	85	Hex.	0.16
125 - 150		8.5	M10	90.5	25.4	70	60	44	40	130	Hex.	0.41

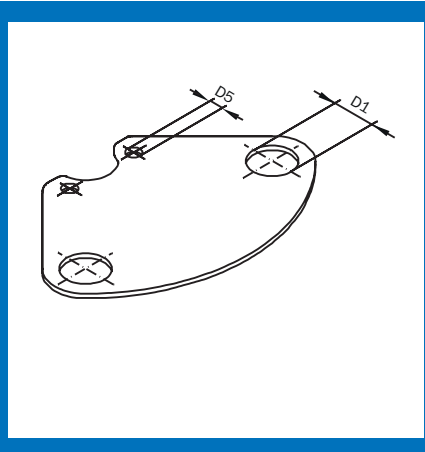
Retaining Plate for mechanical Limit Switch

DN DIN	DN Inch	D1	B1
25 - 100	1" - 4"	5.5	17.6
125 - 200		9	25.4



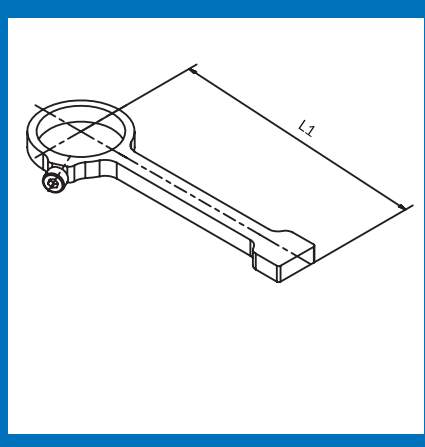
Retaining Plate for Proximity Initiator

DN DIN	DN Inch	D1	D5	Weight [kg]
25 - 100	1" - 4"	12.3	6	0.11
125 - 200		12.3	9	0.16
25 - 100	1" - 4"	18.3	6	0.11
125 - 200		18.3	9	0.16



Signal Contact Arm

DN DIN	DN Inch	L1	Weight [kg]
25 - 100	1" - 4"	72	0.03
125 - 200		92	0.04



Actuators and Accessories

Retaining Plate for Compact Intermediate Flange Butterfly Valve

1.4301 (304)			
DN DIN	DN Inch	Price/EUR	Article No.
10 - 20		23.65	325 500 010 0510
25 - 32	1"	21.95	325 500 025 0510
40	1 1/2"	21.95	325 500 040 0510
50 - 65	2" - 2 1/2"	21.95	325 500 050 0510
80 - 100	3" - 4"	27.85	325 500 080 0510
125 - 150		58.80	325 500 125 0510

Retaining Plate for mechanical Limit Switch

Open/Closed 1.4301 (304)			
DN DIN	DN Inch	Price/EUR	Article No.
25 - 100	1" - 4"	9.66	3912 122 00
125 - 200		12.07	3912 202 00

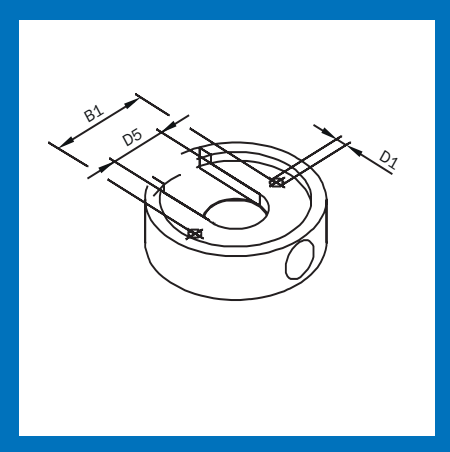
Retaining Plate for Proximity Initiator

1.4301 (304)			
DN DIN	DN Inch	Price/EUR	Article No.
25 - 100	1" - 4"	5.27	3912 123 01
125 - 200		8.74	3912 203 01
25 - 100	1" - 4"	5.27	3912 123 00
125 - 200		8.74	3912 203 00

Signal Contact Arm

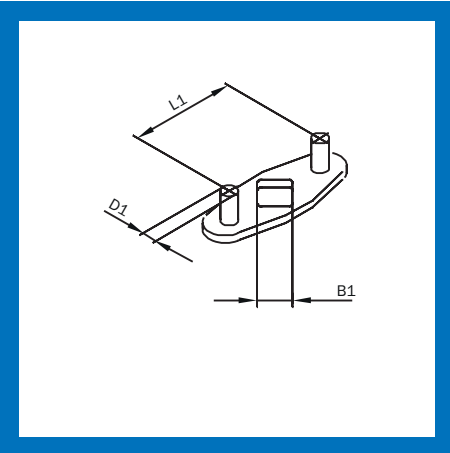
1.4301 (304)			
DN DIN	DN Inch	Price/EUR	Article No.
25 - 100	1" - 4"	3.04	3912 124 00
125 - 200		4.96	3912 204 00

Actuators and Accessories



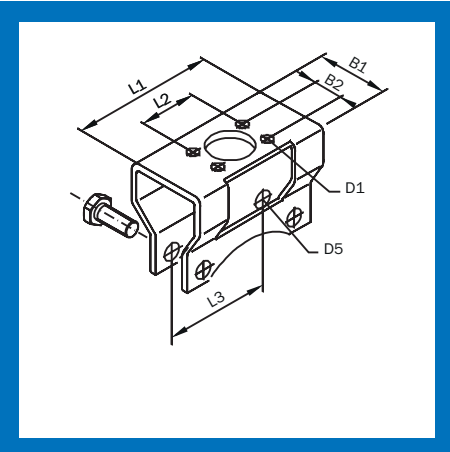
Switching Cam for reinforced Retaining Bracket

DN DIN	DN Inch	D1	D5	B1	Weight [kg]
25 - 100	1" - 4"	4	55	35	0.04
125 - 200		4	62	42	0.05



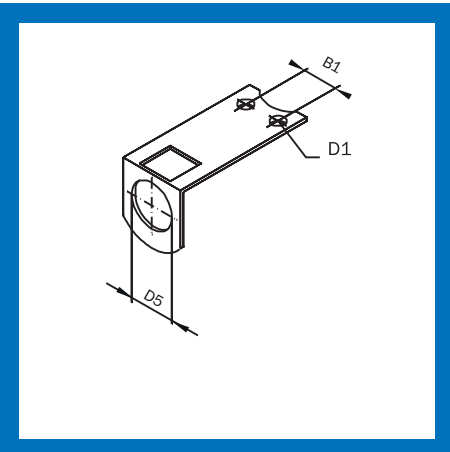
Position Indicator for reinforced Retaining Bracket

DN DIN	DN Inch	D1	B1	L1	Weight [kg]
25 - 100	1" - 4"	4	9.5	35	0.01
125 - 200		4	14	42	0.02



Retaining Plate, reinforced

DN DIN	DN Inch	D1	D5	B1	B2	L1	L2	L3	Weight [kg]
25	1"	6	9	60	17.6	79.5	30.3	51.5	0.3
32		6	9	60	17.6	83	30.3	55	0.3
40	1 1/2"	6	9	60	17.6	86	30.3	58	0.3
50	2"	6	9	60	17.6	95.5	30.3	67.5	0.3
65	2 1/2"	6	9	60	17.6	107.5	30.3	79.5	0.4
80	3"	6	9	72	17.6	118	30.3	90	0.5
100	4"	6	9	72	17.6	132	30.3	104	0.6
125		9	11	72	25.4	118	44	90	0.6
150		9	11	72	25.4	132	44	105	0.6
200		9	11	72	25.4	132	44	105	0.6



Retaining Plate for Inductive Sensor for reinforced Retaining Bracket

DN DIN	DN Inch	D1	D5	B1	Weight [kg]
25 - 100	1" - 4"	6	12.3	17.6	0.032
125 - 200		9	12.3	25.4	0.050
25 - 100	1" - 4"	6	18.3	17.6	0.028
125 - 200		9	18.3	25.4	0.041

Actuators and Accessories

Switching Cam for reinforced Retaining Bracket

1.4301 (304)			
DN DIN	DN Inch	Price/EUR	Article No.
25 - 100	1" - 4"	6.95	3914 123 00
125 - 200		21.60	3914 203 00

Position Indicator for reinforced Retaining Bracket

1.4301 (304)			
DN DIN	DN Inch	Price/EUR	Article No.
25 - 100	1" - 4"	5.95	3914 124 00
125 - 200		13.46	3914 204 00

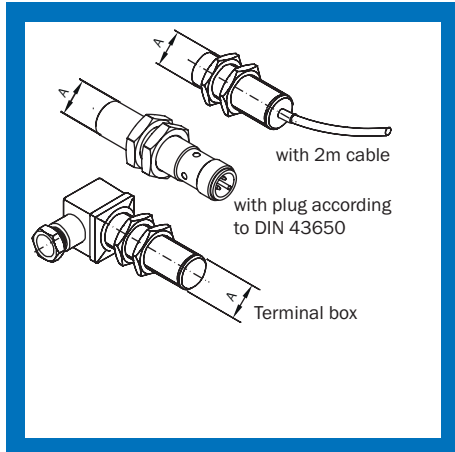
Retaining Plate, reinforced

1.4301 (304)			
DN DIN	DN Inch	Price/EUR	Article No.
25	1"	37.61	3914 050 01
32		37.61	3914 060 01
40	1 1/2"	37.61	3914 070 01
50	2"	37.61	3914 080 01
65	2 1/2"	37.61	3914 090 01
80	3"	45.20	3914 100 01
100	4"	45.20	3914 120 01
125		87.69	3914 130 01
150		93.49	3914 150 01
200		93.49	3914 200 01

Retaining Plate for Inductive Sensor for reinforced Retaining Bracket

1.4301 (304)			
DN DIN	DN Inch	Price/EUR	Article No.
25 - 100	1" - 4"	4.19	3914 122 01
125 - 200		7.08	3914 202 01
25 - 100	1" - 4"	4.19	3914 122 00
125 - 200		7.08	3914 202 00

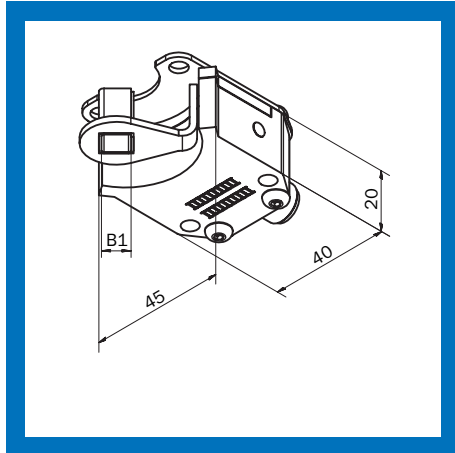
Inductive Sensor and Mechanical Limit Switch



Inductive Sensor

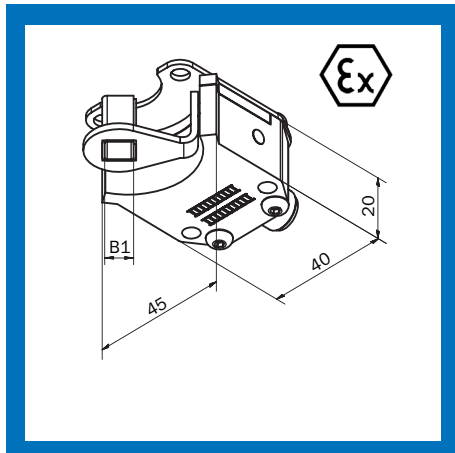
DN DIN	DN Inch	A	Weight [kg]
10 - 200	1" - 4"	M 12 x 1	0.12
10 - 200	1" - 4"	M 18 x 1	0.15

Inductive Double Sensor



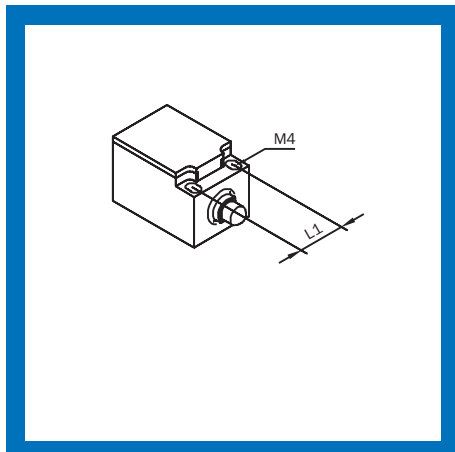
DN DIN	B1	Weight [kg]
10	8	
15 - 100	9.5	
125 - 200	14	0.02
10 - 200		

Double Inductive Sensor ATEX



DN DIN	B1	Weight [kg]
10	8	
15 - 100	9.5	
125 - 200	14	0.02
10 - 200		

Mechanical Limit Switch



DN DIN	DN Inch	L1	Weight [kg]
25 - 100	1" - 4"	22	0.06

Inductive Sensor and Mechanical Limit Switch

Inductive Sensor

		with 2 m cable		with 2 m cable ATEX classification: 1GD		Terminal Box with Plug Connection		with plug		with plug ATEX classification: 1GD	
DN DIN	DN Inch	Price/EUR	Article No.	Price/EUR	Article No.	Price/EUR	Article No.	Price/EUR	Article No.	Price/EUR	Article No.
10 - 200	1" - 4"	51.90	3930 000 02	149.20	3930 005 02	83.80	3930 001 02	95.40	3900 90	160.68	3900 18
10 - 200	1" - 4"	54.90	3930 000 01			88.10	3930 001 01				

Inductive sensor:	with 2 m cable	Terminal Box with Plug Connection	with plug
Protection type:	IP 67	IP 65	IP 67
Supply voltage:	10 - 36 V	10 - 36 V	10 - 30 V
Output:	+	+	+
Circuit diagram			
Connection:	PNP	PNP	PNP
max. switching current:	200 mA	200 mA	200 mA

Inductive sensor ATEX:	with 2 m cable	with plug
Protection type:	IP 67	IP 67
ATEX classification:	1GD	1GD
Nominal voltage:	8.2 VDC	8.2 VDC
Output:	2-wire Namur	2-wire Namur
Ambient temperature:	-25 - 70 °C	-25 - 70 °C
Connection:	2m cable	V1 device plug

Inductive Double Sensor

complete with retaining plate and screws			Sensor (replacement part)	
DN DIN	Price/EUR	Article No.	Price/EUR	Article No.
10	175.50	3930 014 00		
15 - 100	199.35	3930 124 00		
125 - 200	305.91	3930 204 00		
10 - 200			144.50	3930 124 01

Protection type:	IP 67
Supply voltage:	10 - 55 V DC
Output:	Closer
Connection:	PNP
max. switching current:	200 mA
Ambient temperature:	-25 to 75 °C
Connection:	V1 - Device plug

Double Inductive Sensor ATEX

complete with retaining plate and screws			Sensor (replacement part)	
DN DIN	Price/EUR	Article No.	Price/EUR	Article No.
10	193.05	3930 015 00		
15 - 100	213.80	3930 125 00		
125 - 200	336.50	3930 205 00		
10 - 200			158.95	3930 125 01

Protection type:	IP 67 ATEX
ATEX classification:	2G; 3G; 3D
Nominal voltage:	8 V DC
Switching element function:	DC dual opener
Ambient temperature:	-25 to 100 °C
Connection:	V1 - Device plug
Ambient temperature:	-25 to 75 °C

Mechanical Limit Switch

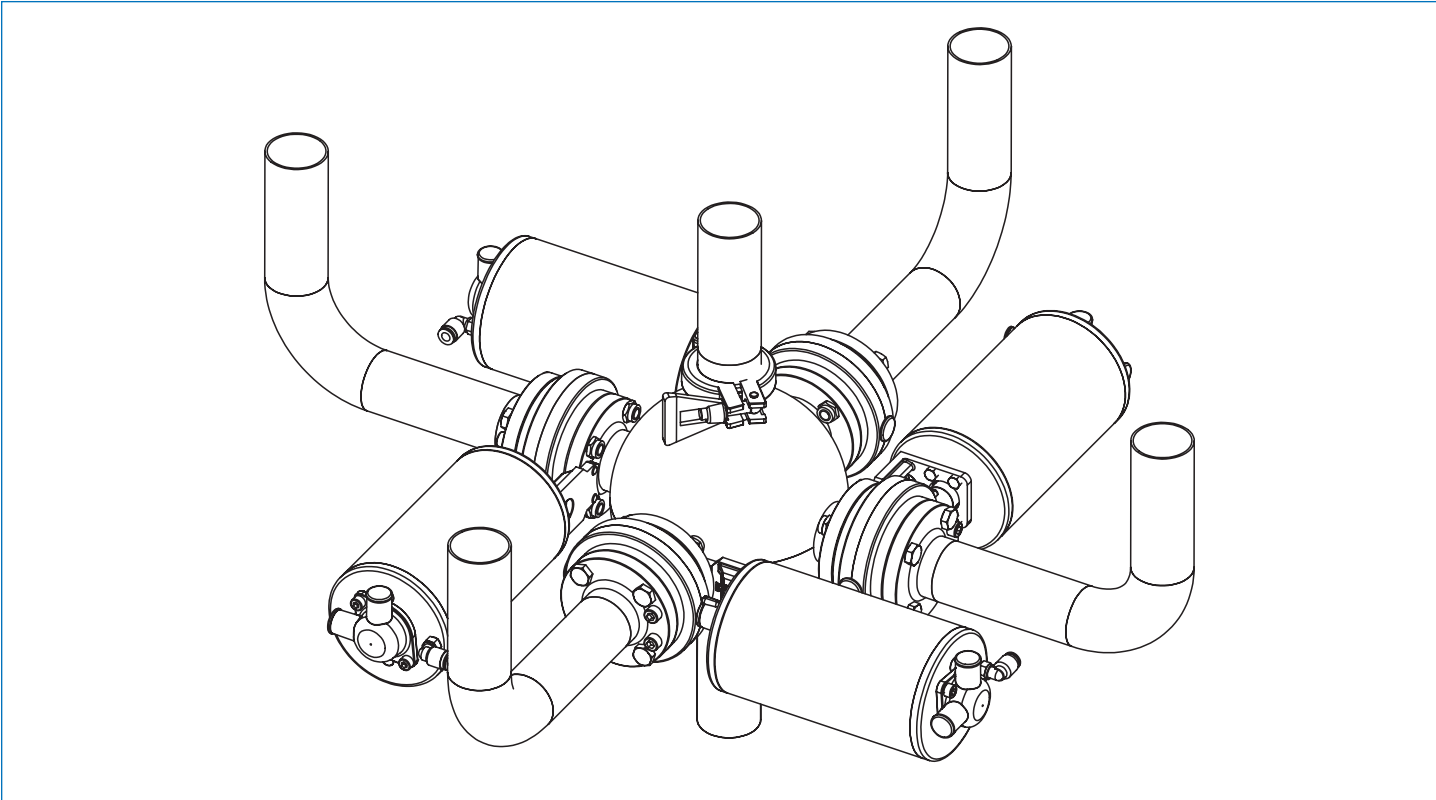
DN DIN	DN Inch	Price/EUR	Article No.
25 - 100	1" - 4"	44.15	3930 002 01

Protection type:	IP65 according to EN 60529
Contact elements:	1 opener / 1 closer Positive-break opener
Nominal isolation voltage Ui:	500 V~25 - 60 Hz
Switching capacity Ie:	2.5 A
Ue:	380 B~
Short-circuit protection:	10 A (slow-blow)

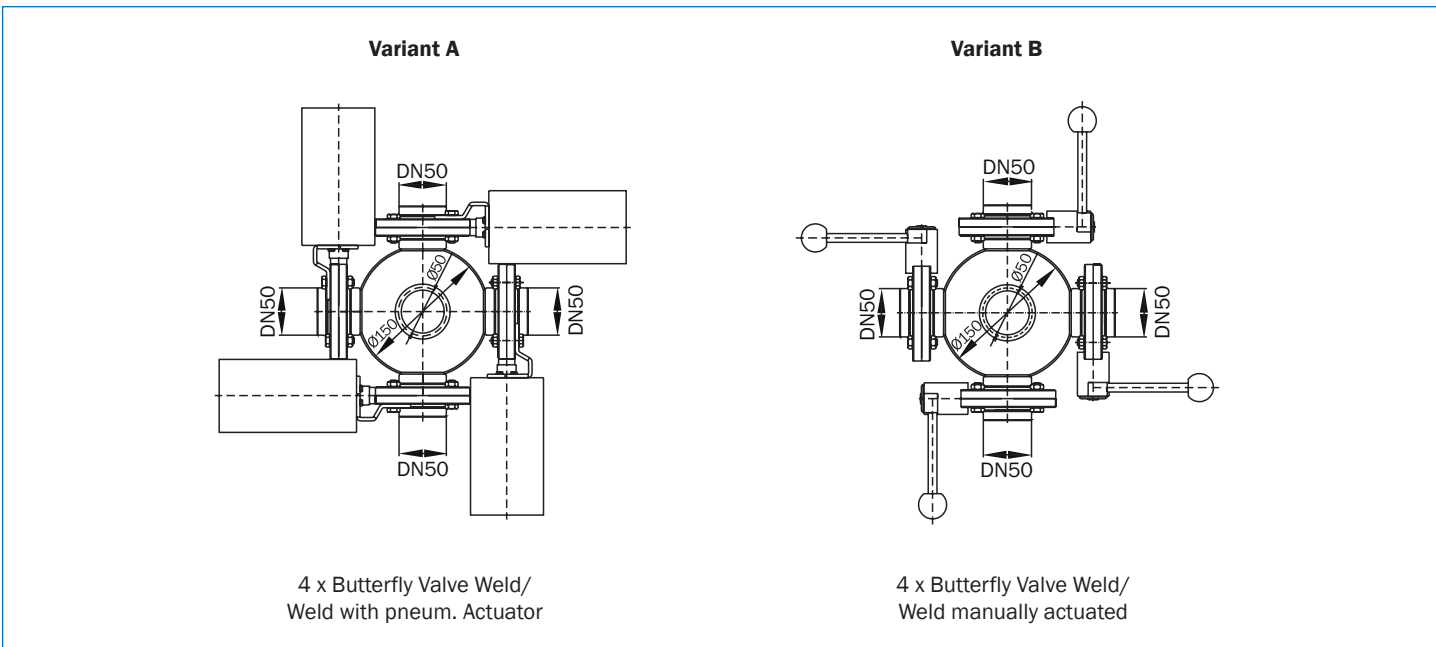
Valve Igel

CIP cleaning medium intelligently distributed

- Alternative to complex valve nodes and coupling panels
- Clearly laid-out design
- Easy to service
- Cost effective
- Compact construction, low space requirement
- Maximum nominal width DN65!



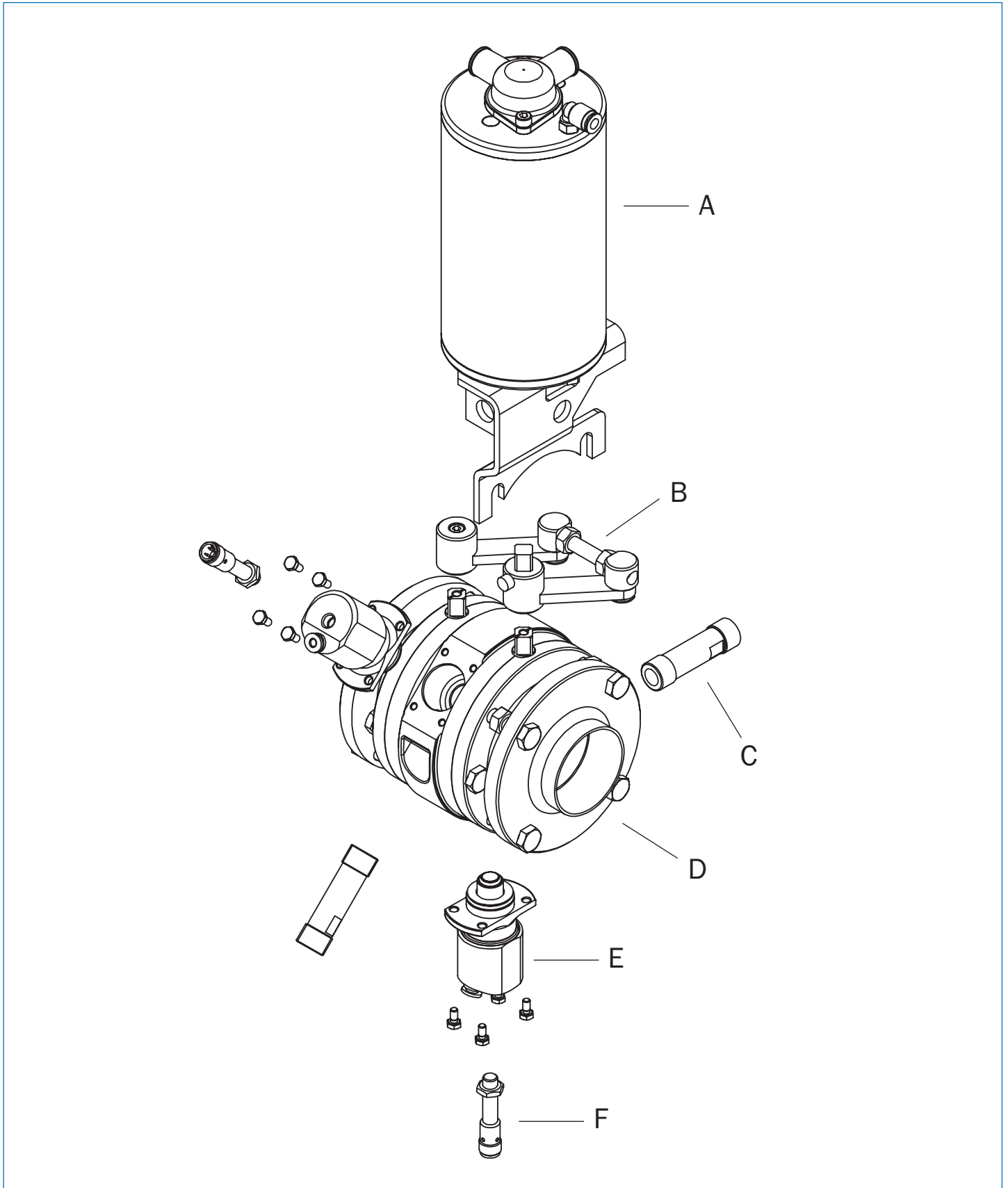
Customer-specific production



The AWH-Vent-IGEL is configured specially in accordance with your specifications. Please contact us, we would be happy to make you an offer.

Exploded View Leakage Butterfly Valve and Accessories

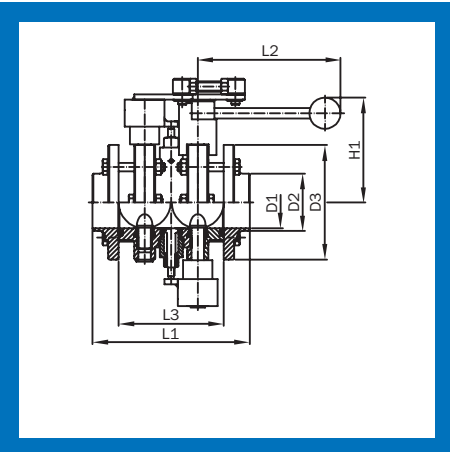
Leakage Butterfly Valve with Pneumatic Actuator and pneumatically actuated auxiliary Valves



A Pneumatic actuator
B Switching combination
C Flushing connection

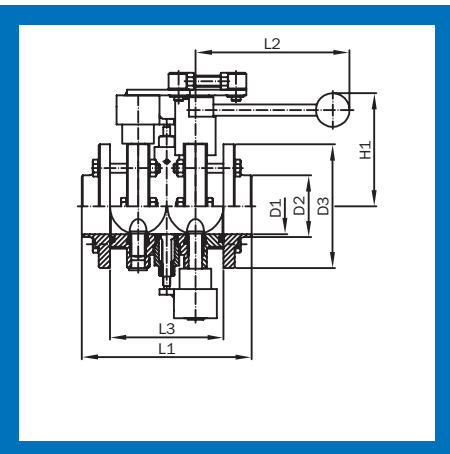
D Valve body
E Auxiliary valve
F Sensor for auxiliary Valve (optional)

Leakage Butterfly Valves and Accessories



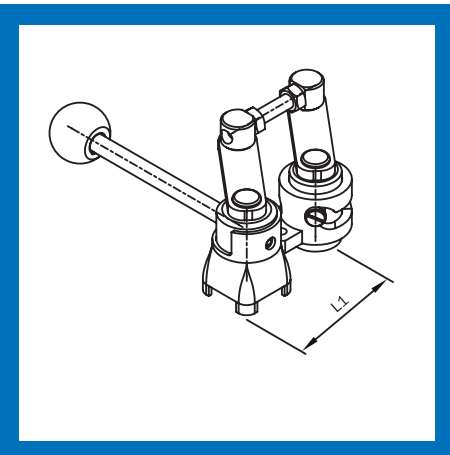
Intermediate Flange Leakage Butterfly Valve DIN manually actuated

DN DIN	L1	L3	L2	H1	D1	D2	D3	Weight [kg]
25	138	98	107	90	26	29	87	4.51
32	138	98	107	92	32	35	92	4.82
40	148	98	137	94	38	41	97	5.11
50	151	101	137	101	50	53	110	6.01
65	167	117	137	110	66	70	127	7.72
80	194	134	167	123	81	85	142	11.20
100	194	134	167	134	100	104	162	13.50



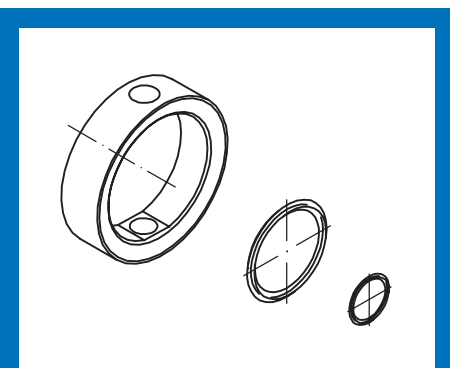
Intermediate Flange Leakage Butterfly Valve Inch manually actuated

DN Inch	L1	L3	L2	H1	D1	D2	D3	Weight [kg]
1"	138	98	107	90	22.2	25.4	87	4.51
1 1/2"	148	98	137	94	34.8	38.1	97	5.11
2"	151	101	137	101	47.6	50.8	110	6.01
2 1/2"	167	117	137	110	60.3	63.5	127	7.72
3"	194	134	167	123	72.9	76.1	142	11.20
4"	194	134	167	134	97.4	101.6	162	13.50



Switching Combination for Leakage Butterfly Valve manually actuated

DN DIN	DN Inch	L1	Weight [kg]
25 - 40	1" - 1 1/2"	48	0.89
50	2"	51	0.89
65	2 1/2"	67	0.91
80 - 100	3" - 4"	58	0.91



Seal Set for Leakage Butterfly Valves manually actuated

DN DIN	DN Inch
25	1"
32	
40	1 1/2"
50	2"
65	2 1/2"
80	3"
100	4"

For technical reasons, the valve disks are included in the delivery with DN25 and DN32.

Leakage Butterfly Valves and Accessories

Intermediate Flange Leakage Butterfly Valve DIN manually actuated

1.4404 (316L)/EPDM			
DN DIN	Price/EUR	Article No.	
25	866.18	340205 012/1	
32	880.69	340206 012/1	
40	887.54	340207 012/1	
50	915.10	340208 012/1	
65	977.73	340209 012/1	
80	1126.89	340210 012/1	
100	1201.63	340212 012/1	

Intermediate Flange Leakage Butterfly Valve Inch manually actuated

1.4404 (316L)/EPDM			
DN Inch	Price/EUR	Article No.	
1"	866.18	340254 012/1	
1 1/2"	887.54	340257 012/1	
2"	915.10	340258 012/1	
2 1/2"	977.73	340259 012/1	
3"	1126.89	340260 012/1	
4"	1201.63	340262 012/1	

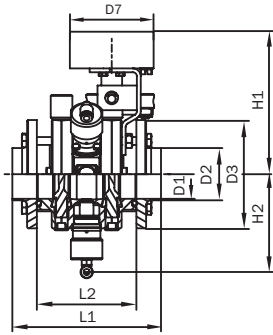
Switching Combination for Leakage Butterfly Valve manually actuated

1.4301 (304)			
DN DIN	DN Inch	Price/EUR	Article No.
25 - 40	1" - 1 1/2"	251.43	3402 07 791
50	2"	253.00	3402 08 791
65	2 1/2"	253.00	3402 09 791
80 - 100	3" - 4"	257.27	3402 12 791

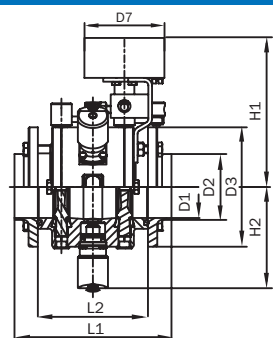
Seal Set for Leakage Butterfly Valves manually actuated

EPDM			
DN DIN	DN Inch	Price/EUR	Article No.
25	1"	87.50	3400 05 091
32		125.35	3400 06 091
40	1 1/2"	27.28	3400 07 091
50	2"	37.06	3400 08 091
65	2 1/2"	44.62	3400 09 091
80	3"	57.66	3400 10 091
100	4"	77.80	3400 12 091

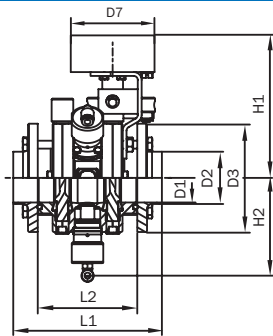
Leakage Butterfly Valves and Accessories



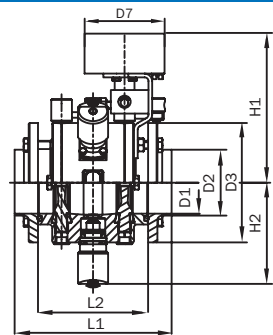
with pneumatically actuated auxiliary valves
without preparation for sensor for auxiliary valve



with pneumatically actuated auxiliary valves
with preparation for sensor for auxiliary valve



with pneumatically actuated auxiliary valves
without preparation for sensor for auxiliary valve



with pneumatically actuated auxiliary valves
with preparation for sensor for auxiliary valve

Intermediate Flange Leakage Butterfly Valve DIN with Pneumatic Actuator VMove®

DN DIN	L1	L2	D1	D2	D3	H1	H2	D7	Weight [kg]
25	138	98	26	29	87	253	87.5	89	8.09
32	138	98	32	35	92	255	90	89	8.70
40	148	98	38	41	97	258	93	89	8.89
50	151	101	50	53	110	264	99.5	89	10.02
65	167	117	66	70	127	273	102.5	89	12.53
80	194	134	81	85	142	322	115	104	17.63
100	194	134	100	104	162	332	124.5	104	20.20
125	248	168	125	129	200	363	137.5	129	34.46
150	268	188	150	154	230	378	151	129	43.42

Intermediate Flange Leakage Butterfly Valve DIN with Pneumatic Actuator VMove®

DN DIN	L1	L2	D1	D2	D3	H1	H2	D7	Weight [kg]
25	138	98	26	29	87	253	87.5	89	8.26
32	138	98	32	35	92	255	90	89	8.84
40	148	98	38	41	97	258	93	89	9.03
50	151	101	50	53	110	264	99.5	89	10.17
65	167	117	66	70	127	273	102.5	89	12.68
80	194	134	81	85	142	322	115	104	17.76
100	194	134	100	104	162	332	124.5	104	20.34
125	248	168	125	129	200	363	137.5	129	34.60
150	268	188	150	154	230	378	151	129	43.56

Intermediate Flange Leakage Butterfly Valve Inch with Pneumatic Actuator VMove®

DN Inch	L1	L2	D1	D2	D3	H1	H2	D7	Weight [kg]
1"	142	102	22.1	25.4	87	253	85.5	89	8.17
1 1/2"	149	99	34.8	38.1	97	257.5	90	89	8.95
2"	151	101	47.5	50.8	110	264	98	89	10.11
2 1/2"	167	117	60.2	63.5	127	273	104.5	89	12.97
3"	196	136	72.1	76.1	142	323	110.5	104	18.64
4"	194	134	97.4	101.6	162	334.5	123	104	20.42

Intermediate Flange Leakage Butterfly Valve Inch with Pneumatic Actuator VMove®

DN Inch	L1	L2	D1	D2	D3	H1	H2	D7	Weight [kg]
1"	142	102	22.1	25.4	87	253	85.5	89	8.31
1 1/2"	149	99	34.8	38.1	97	257.5	90	89	9.09
2"	151	101	47.5	50.8	110	264	98	89	10.26
2 1/2"	167	117	60.2	63.5	127	273	104.5	89	13.14
3"	196	136	72.1	76.1	142	323	110.5	104	18.77
4"	194	134	97.4	101.6	162	334.5	123	104	20.56

Leakage Butterfly Valves and Accessories

Intermediate Flange Leakage Butterfly Valve DIN with Pneumatic Actuator VMove®

1.4404 (316L)/EPDM			1.4404 (316L)/FKM		
DN DIN	Price/EUR	Article No.	Price/EUR	Article No.	
25	1122.00	3510 2201 025 30	1130.00	3510 2202 025 30	
32	1136.00	3510 2201 032 30	1147.00	3510 2202 032 30	
40	1143.00	3510 2201 040 30	1159.00	3510 2202 040 30	
50	1171.00	3510 2201 050 30	1192.00	3510 2202 050 30	
65	1245.00	3510 2201 065 30	1269.00	3510 2202 065 30	
80	1395.00	3510 2201 080 30	1432.00	3510 2202 080 30	
100	1469.00	3510 2201 100 30	1510.00	3510 2202 100 30	
125	4175.00	3510 2201 125 30	4500.00	3510 2202 125 30	
150	4705.00	3510 2201 150 30	5100.00	3510 2202 150 30	
					Air connection auxiliary valve Ø 6x1

Intermediate Flange Leakage Butterfly Valve DIN with Pneumatic Actuator VMove®

1.4404 (316L)/EPDM			1.4404 (316L)/FKM		
DN DIN	Price/EUR	Article No.	Price/EUR	Article No.	
25	1162.00	3510 2211 025 30	1170.00	3510 2212 025 30	
32	1176.00	3510 2211 032 30	1187.00	3510 2212 032 30	
40	1183.00	3510 2211 040 30	1199.00	3510 2212 040 30	
50	1211.00	3510 2211 050 30	1232.00	3510 2212 050 30	
65	1285.00	3510 2211 065 30	1309.00	3510 2212 065 30	
80	1435.00	3510 2211 080 30	1472.00	3510 2212 080 30	
100	1509.00	3510 2211 100 30	1550.00	3510 2212 100 30	
125	4260.00	3510 2211 125 30	4585.00	3510 2212 125 30	
150	4790.00	3510 2211 150 30	5185.00	3510 2212 150 30	
					Air connection auxiliary valve Ø 4x1

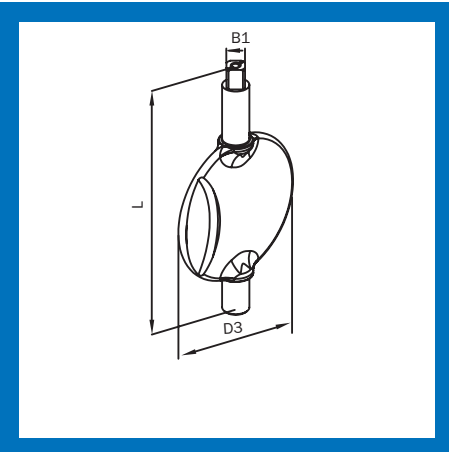
Intermediate Flange Leakage Butterfly Valve Inch with Pneumatic Actuator VMove®

1.4404 (316L)/EPDM			1.4404 (316L)/FKM		
DN Inch	Price/EUR	Article No.	Price/EUR	Article No.	
1"	1150.00	3510 2201 054 30	1158.00	3510 2202 054 30	
1 1/2"	1180.00	3510 2201 057 30	1196.00	3510 2202 057 30	
2"	1200.00	3510 2201 058 30	1221.00	3510 2202 058 30	
2 1/2"	1260.00	3510 2201 059 30	1284.00	3510 2202 059 30	
3"	1570.00	3510 2201 060 30	1607.00	3510 2202 060 30	
4"	1790.00	3510 2201 062 30	1830.00	3510 2202 062 30	
					Air connection auxiliary valve Ø 6x1

Intermediate Flange Leakage Butterfly Valve Inch with Pneumatic Actuator VMove®

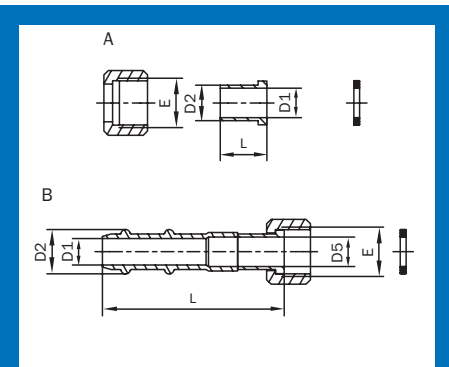
1.4404 (316L)/EPDM			1.4404 (316L)/FKM		
DN Inch	Price/EUR	Article No.	Price/EUR	Article No.	
1"	1190.00	3510 2211 054 30	1198.00	3510 2212 054 30	
1 1/2"	1220.00	3510 2211 05730	1236.00	3510 2212 057 30	
2"	1240.00	3510 2211 058 30	1261.00	3510 2212 058 30	
2 1/2"	1300.00	3510 2211 059 30	1324.00	3510 2212 059 30	
3"	1610.00	3510 2211 060 30	1647.00	3510 2212 060 30	
4"	1830.00	3510 2211 062 30	1871.00	3510 2212 062 30	
					Air connection auxiliary valve Ø 4x1

Leakage Butterfly Valves and Accessories



Valve Disk for leakage Butterfly Valve with Pneumatic Actuator

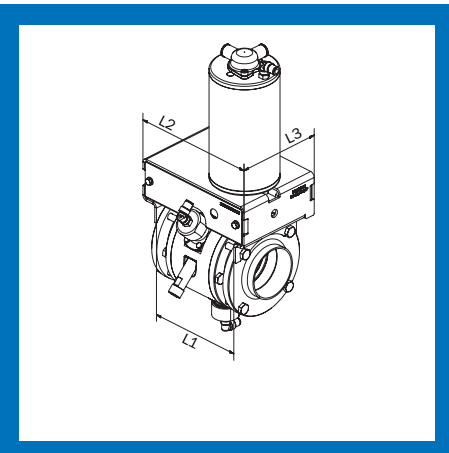
DN DIN	DN Inch	B1	D3	L	Weight [kg]
80		9.5	81	144	0.37
	3"	9.5	72	144	0.30
100		9.5	100	164	0.54
	4"	9.5	97.4	165	0.48



Connection Screw Fitting

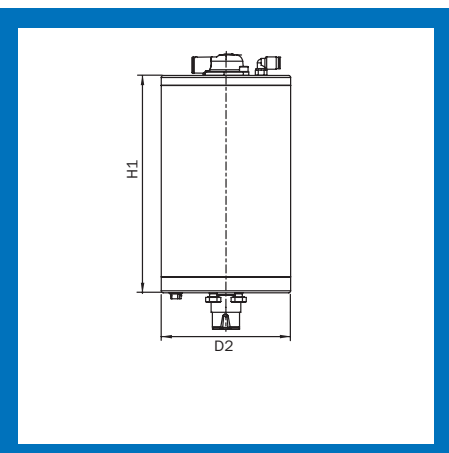
DN DIN	DN Inch	D1	D2	D5	E	L	Weight [kg]
25 - 150	1" - 4"	10	12		G 3/8"	16	0.023
25 - 150	1" - 4"	9	15	10	G 3/8"	62.5	0.045

A - Weld-on Screw Connection
B - Screw Connection with Hose Nozzle



Protective Cover for Leakage Butterfly Valve with Pneumatic Actuator

DN DIN	DN Inch	L1	L2	L3	Weight [kg]
25		119	156	100.5	0.98
	1"	122	159	100.5	0.99
32		118	155	104.5	1.02
40	1 1/2"	119	156	103	1.00
50	2"	121	163	115	1.14
65	2 1/2"	137	179	124.5	1.30
80		166	172	114	1.18
	3"	168	174	114	1.25
100	4"	166	172	124	1.26



Drive VMove® 2 70° Air/Spring

DN DIN	D2	H1	Weight [kg]
125 - 200	129	217	10.0

Leakage Butterfly Valves and Accessories

Valve Disk for leakage Butterfly Valve with Pneumatic Actuator

1.4404 (316L)			
DN DIN	DN Inch	Price/EUR	Article No.
80		51.04	3510000800230
	3"	54.19	3510000600230
100		73.34	3510001000230
	4"	90.28	3510000620230

Connection Screw Fitting

Screwed Connection 1.4404 (316L)/EPDM				Screw Connection, Hose Nozzle 1.4404 (316L)/EPDM	
DN DIN	DN Inch	Price/EUR	Article No.	Price/EUR	Article No.
25 - 150	1" - 4"	11.01	3402 12 002		
25 - 150	1" - 4"			46.40	3510 15 002

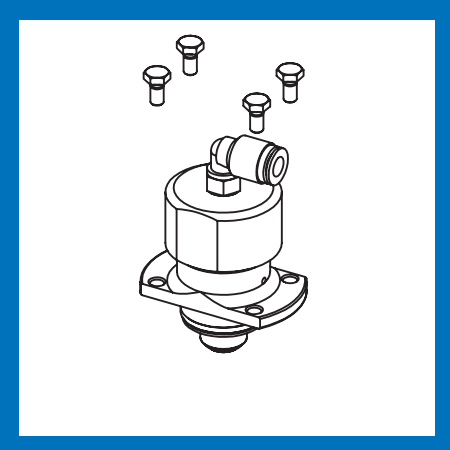
Protective Cover for Leakage Butterfly Valve with Pneumatic Actuator

1.4301 (304)			
DN DIN	DN Inch	Price/EUR	Article No.
25		98.55	3510 0002 560 10
	1"	103.41	3510 0005 460 10
32		113.15	3510 0003 260 10
40	1 1/2"	118.60	3510 0004 060 10
50	2"	123.85	3510 0005 060 10
65	2 1/2"	128.65	3510 0006 560 10
80		133.55	3510 0008 060 10
	3"	133.55	3510 0006 060 10
100	4"	138.05	3510 0010 060 10

Drive VMove® 2 70° Air/Spring

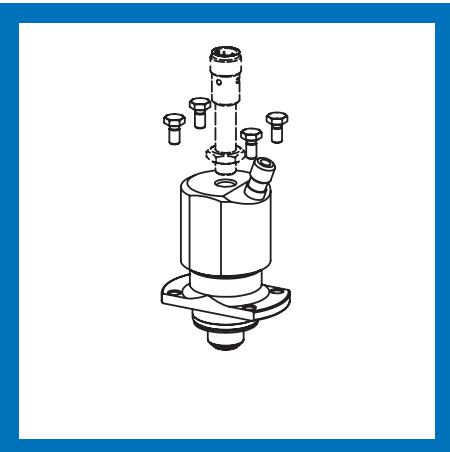
1.4301 (304)		
DN DIN	Price/EUR	Article No.
125 - 200	646.00	395920000

Leakage Butterfly Valves and Accessories



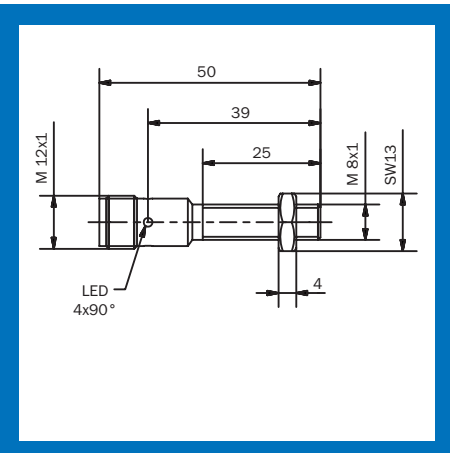
Pneumatic Auxiliary Valve without Preparation for Sensor

DN DIN	DN Inch	Weight [kg]
25 - 150	1" - 4"	0.26



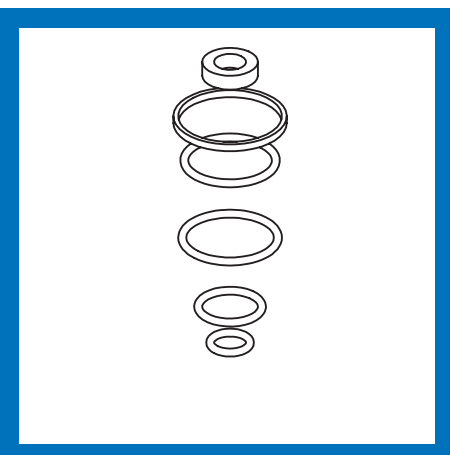
Pneumatic Auxiliary Valve with Preparation for Sensor

DN DIN	DN Inch	Weight [kg]
25 - 150	1" - 4"	0.35
Single cap (with air connection)		



Sensor for pneumatic Auxiliary Valve

DN DIN	DN Inch	Weight [kg]
25 - 150	1" - 4"	0.02



Service Kit for pneumatic Auxiliary Valve

DN DIN	DN Inch	Weight [kg]
25 - 150	1" - 4"	0.001

Leakage Butterfly Valves and Accessories

Pneumatic Auxiliary Valve without Preparation for Sensor

1.4404 (316L)/EPDM				1.4404 (316L)/FKM	
DN DIN	DN Inch	Price/EUR	Article No.	Price/EUR	Article No.
25 - 150	1" - 4"	133.10	3510 0000 020 30	134.25	3510 0000 022 30

Pneumatic Auxiliary Valve with Preparation for Sensor

1.4404 (316L)/EPDM				1.4404 (316L)/FKM		Single cap (with air connection)	
DN DIN	DN Inch	Price/EUR	Article No.	Price/EUR	Article No.	Price/EUR	Article No.
25 - 150	1" - 4"	156.75	3510 0000 010 30	158.25	3510 0000 012 30		
						71.55	3510 0000 040 30

Sensor for pneumatic Auxiliary Valve

1.4301 (304)			
DN DIN	DN Inch	Price/EUR	Article No.
25 - 150	1" - 4"	69.80	390135

Service Kit for pneumatic Auxiliary Valve

EPDM				FKM	
DN DIN	DN Inch	Price/EUR	Article No.	Price/EUR	Article No.
25 - 150	1" - 4"	22.05	3510 0000 030 00	23.40	3510 000 0032 00

Safety Valves

The component-tested AWH safety valve is used to protect containers and systems against overpressure and is approved as a standard safety valve.

The pressure at which the valve starts to open is defined as the set pressure p_e [barg].

The opening pressure is the sum of the set pressure + 10% set pressure (for $p_e \geq 1\text{bar}$) or +0.1bar ($p_e < 1\text{bar}$).

The maximum volume flow is achieved at this opening pressure.

The closing pressure for compressible media (gases/vapors) is max.10% or $p_e = / < 3.0\text{bar}$ at 0.3bar below the response pressure.

For incompressible media (liquids), the closing pressure is max.20% or $p_e = / < 3.0\text{bar}$ at 0.6bar.

The pressures are within the limits of the DIN EN ISO 4126 and AD2000-A2 standards.

The operating pressure of the system/vessel must be at least 10% below the closing pressure!

The weights given below are only approximate values. They vary depending on the pressure due to different springs.

Technical Data

General Data

Type of construction	Single-acting diaphragm standard safety valve Spring force closing Type examination for liquids and gases/vapors	
Size:	DN25, DN40, DN50, DN65 DN80, DN100	
Connection:	Liner / Male DIN 11851 aseptic Liner / aseptic Male DIN 11864-1 Liner Flange/Nut Flange DIN 11864-2 Clamp/Clamp DIN 32676 Other connection types on request.	
Temperature:	Ambient temperature:	5 °C bis 70 °C
	Product temperature:	5 °C bis 90 °C
Response pressure:	DN25-80:	0,5 bis 10 bar
	DN100:	0,5 bis 7 bar

Materials in contact with the product

Materials

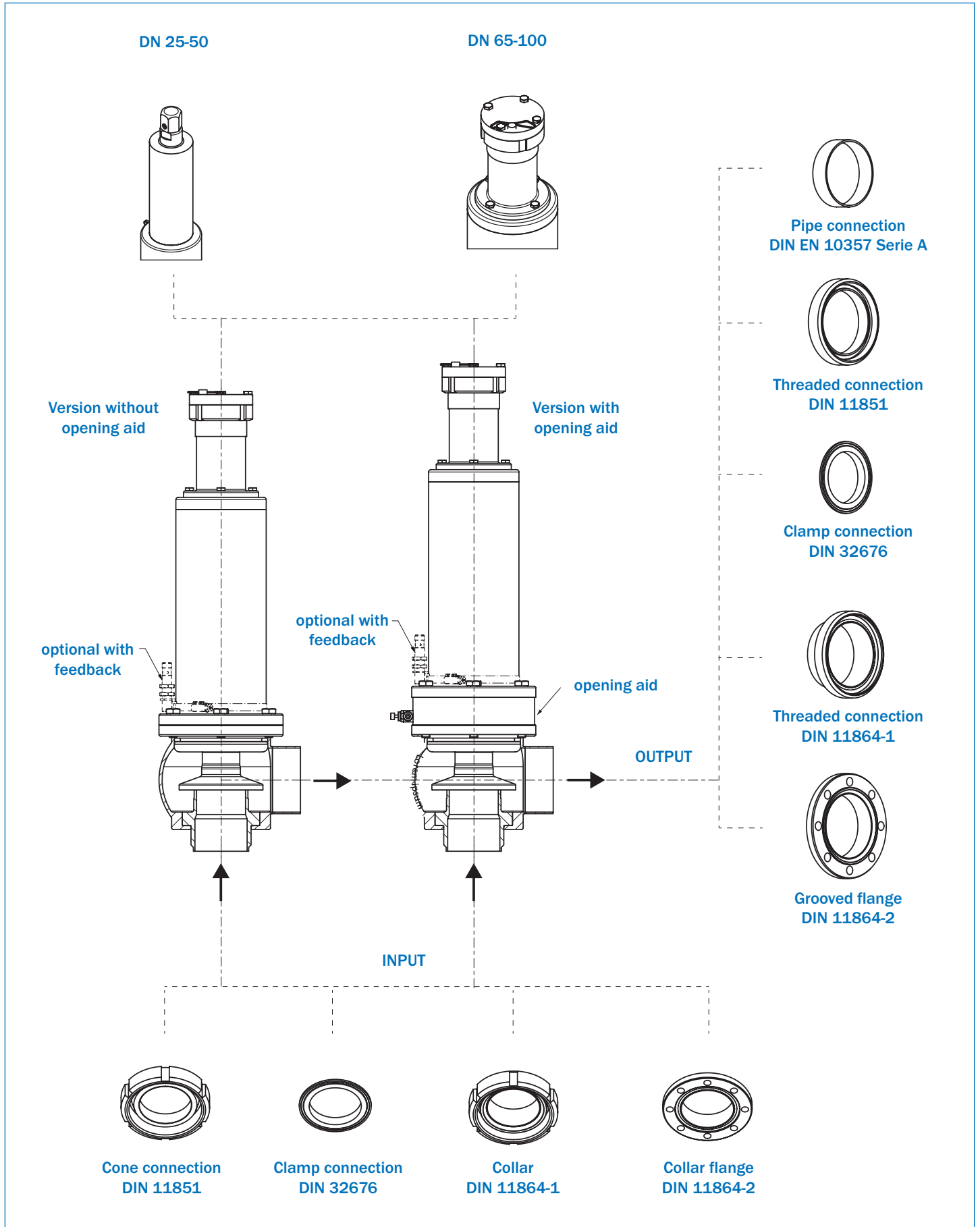
Housing:	1.4404
Membrane with core:	EPDM / 1.4404

Surfaces

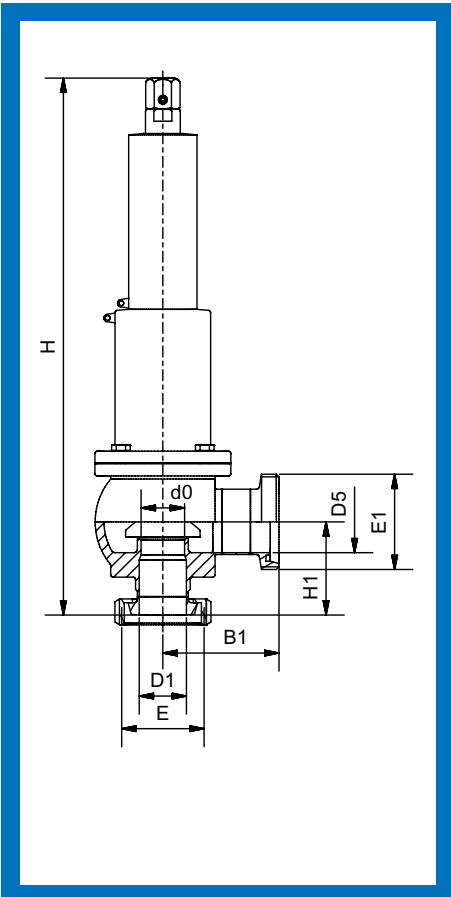
External surfaces:	metal bright / finely finished
Inner surfaces in contact with product:	Ra 0,8 µm

Safety valves

Configuration variants

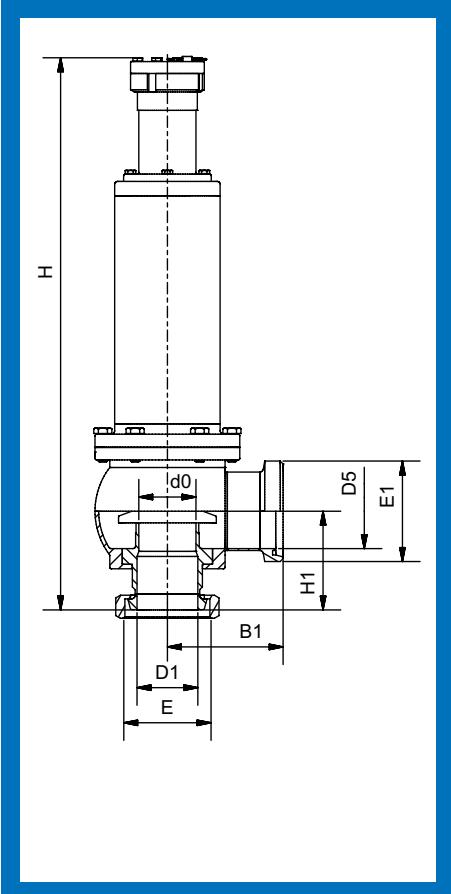


Safety Valves



Safety Valve Liner/Male DIN 11851

DN DIN	d0	B1	D1	D5	E	E1	H	H1	Weight [kg]
25	24	93.5	26	50	Rd 52x1/6"	Rd 78x1/6"	441	76	~8.2
40	35	93.5	38	50	Rd 65x1/6"	Rd 78x1/6"	441	75.5	~8.3
50	46	105.5	50	66	Rd 78x1/6"	Rd 95x1/6"	472	95	~9.0



Safety Valve Liner/Male DIN 11851

DN DIN	d0	B1	D1	D5	E	E1	H	H1	Weight [kg]
65	62	125.5	66	81	Rd 95x1/6"	Rd 110x1/4"	599	107	~20.6
80	76	145	81	100	Rd 110x1/4"	Rd 130x1/4"	617	117	~24.8
100	94	183.5	100	125	Rd 130x1/4"	Rd 160x1/4"	689	146.5	~37.6

Sicherheitsventile

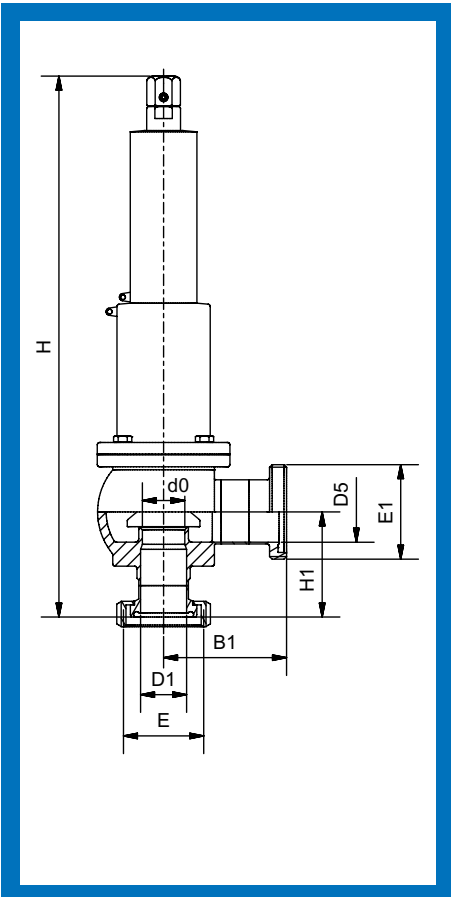
Safety Valve Liner/Male DIN 11851

Standard 1.4404 (316L)/EPDM			with Response 1.4404 (316L)/EPDM		
DN DIN	Price/EUR	Article No.	Price/EUR	Article No.	
25	1193.00	4752 050 100	1558.00	4752 050 102	
40	1343.00	4752 070 100	1708.00	4752 070 102	
50	1445.50	4752 080 100	1810.50	4752 080 102	

Safety Valve Liner/Male DIN 11851

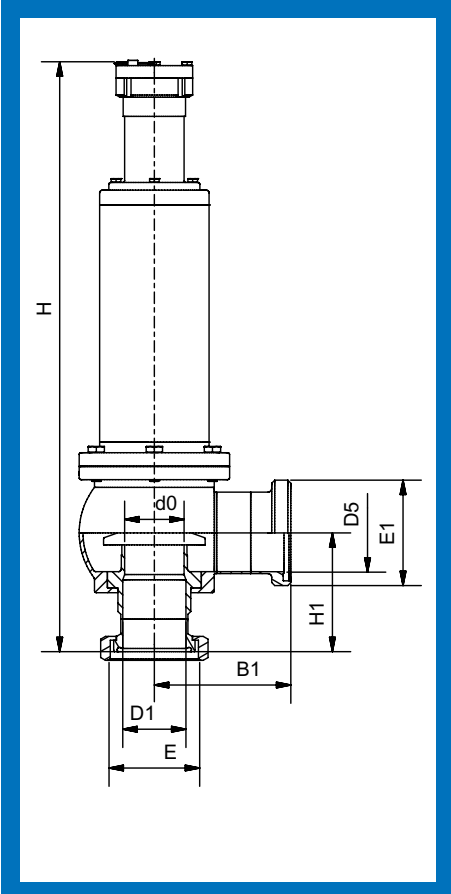
Standard 1.4404 (316L)/EPDM			with Response 1.4404 (316L)/EPDM		
DN DIN	Price/EUR	Article No.	Price/EUR	Article No.	
65	1962.00	4752 090 100	2419.00	4752 090 102	
80	2422.50	4752 100 100	2879.50	4752 100 102	
100	4662.00	4752 120 100	5119.00	4752 120 102	

Safety Valves



Safety Valve aseptic Liner/aseptic Male DIN 11864-1

DN DIN	d0	B1	D1	D5	E	E1	H	H1	Weight. [kg]
25	24	101.5	26	50	Rd 52x1/6"	Rd.78x1/6"	448	83	~8.2
40	35	101.5	38	50	Rd 65x1/6"	Rd.78x1/6"	452	87	~8.3
50	46	116.5	50	66	Rd 78x1/6"	Rd.95x1/6"	486	109	~9.1



Safety Valve aseptic Liner/aseptic Male DIN 11864-1

DN DIN	d0	B1	D1	D5	E	E1	H	H1	Weight. [kg]
65	62	142.5	66	81	Rd 95x1/6"	Rd.110x1/4"	616	124	~20.7
80	76	165	81	100	Rd 110x1/4"	Rd.130x1/4"	638	138	~25.1
100	94	183	100	125	Rd 130x1/4"	Rd.160x1/4"	715	172.5	~37.9

Safety Valves

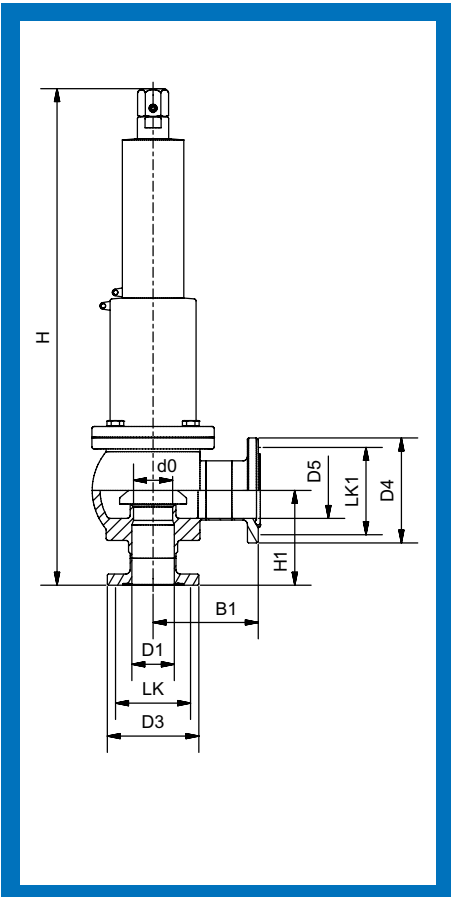
Safety Valve aseptic Liner/aseptic Male DIN 11864-1

Standard 1.4404 (316L)/EPDM		with Response 1.4404 (316L)/EPDM		
DN DIN	Price/EUR	Article No.	Price/EUR	Article No.
25	1202.20	4753 050 100	1567.20	4753 050 102
40	1352.20	4753 070 100	1717.20	4753 070 102
50	1464.30	4753 080 100	1829.30	4753 080 102

Safety Valve aseptic Liner/aseptic Male DIN 11864-1

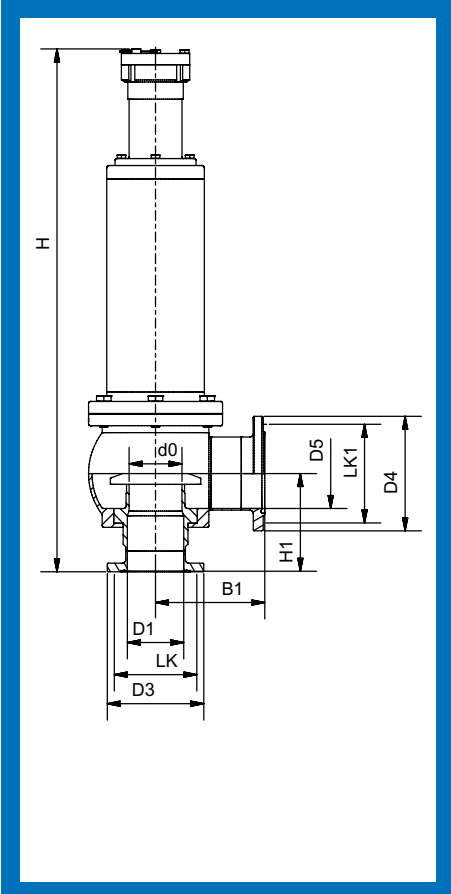
Standard 1.4404 (316L)/EPDM		with Response 1.4404 (316L)/EPDM		
DN DIN	Price/EUR	Article No.	Price/EUR	Article No.
65	1976.90	4753 090 100	2433.90	4753 090 102
80	2451.80	4753 100 100	2908.80	4753 100 102
100	4700.50	4753 120 100	5157.50	4753 120 102

Safety Valves



Safety Valve Liner Flange/Nut Flange DIN 11864-2

DN DIN	d0	B1	D1	D3	D4	D5	H	H1	LK	LK1	Wt. [kg]
25	24	96	26	70	94	50	450	85	53/4x9	77/4x9	~8.4
40	35	96	38	82	94	50	450	85	65/4x9	77/4x9	~8.5
50	46	106	50	94	113	66	480	103	77/4x9	95/8x9	~9.1



Safety Valve Liner Flange/Nut Flange DIN 11864-2

DN DIN	d0	B1	D1	D3	D4	D5	H	H1	LK	LK1	Wt. [kg]
65	62	128	66	113	133	81	606	114	95/8x9	112/8x11	~20.7
80	76	142.5	81	133	159	100	626	126	112/8x11	137/8x11	~25.3
100	94	177.5	100	159	183	125	695	152.5	137/8x11	161/8x11	~38.1

Safety Valves

Safety Valve Liner Flange/Nut Flange DIN 11864-2

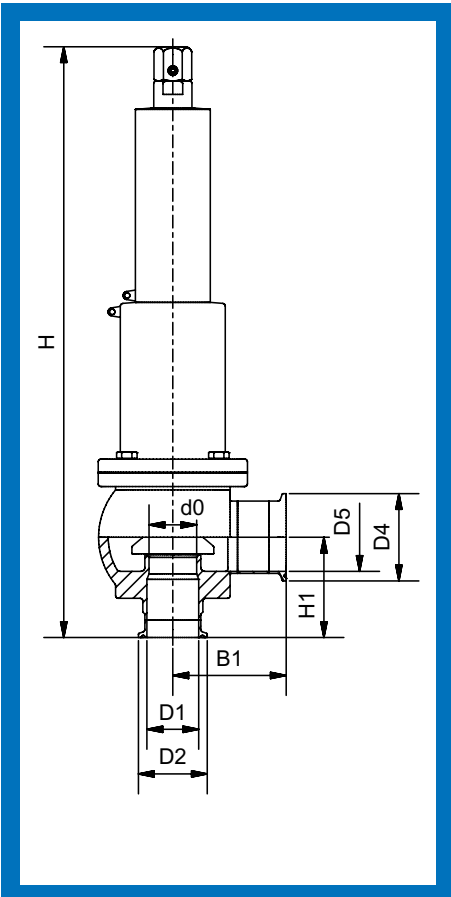
Standard 1.4404 (316L)/EPDM		with Response 1.4404 (316L)/EPDM		
DN DIN	Price/EUR	Article No.	Price/EUR	Article No.
25	1202.20	4754 050 100	1567.20	4754 050 102
40	1352.20	4754 070 100	1717.20	4754 070 102
50	1464.30	4754 080 100	1829.30	4754 080 102

Safety Valve Liner Flange/Nut Flange DIN 11864-2

Standard 1.4404 (316L)/EPDM		with Response 1.4404 (316L)/EPDM		
DN DIN	Price/EUR	Article-No.	Price/EUR	Article No.
65	1976.90	4754 090 100	2433.90	4754 090 102
80	2451.80	4754 100 100	2908.80	4754 100 102
100	4700.50	4754 120 100	5157.50	4754 120 102

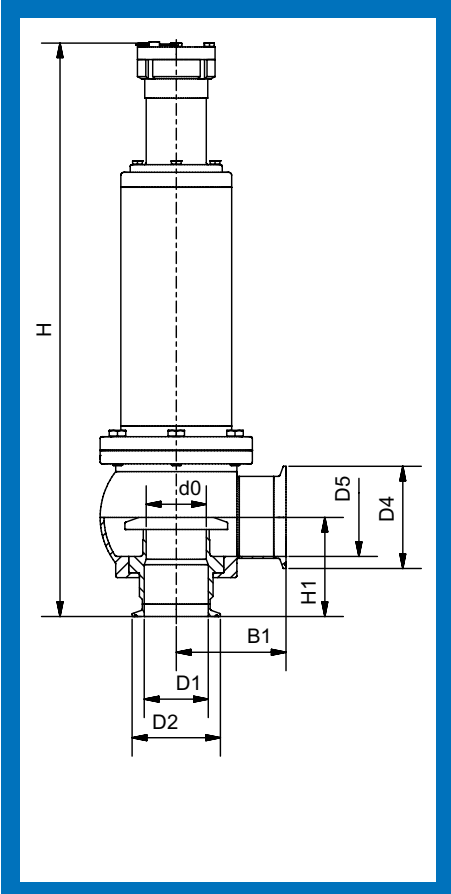


Safety Valves



Safety Valve Clamp/Clamp DIN 32676

DN DIN	d0	B1	D1	D2	D4	D5	H	H1	Wt. [kg]
25	24	83	26	50,5	64	50	439	74	~7.9
40	35	83	38	50,5	64	50	439	74	~7.9
50	46	93	50	64	91	66	469	92	~8.4



Safety Valve Clamp/Clamp DIN 32676

DN DIN	d0	B1	D1	D2	D4	D5	H	H1	Wt. [kg]
65	62	113	66	91	106	81	595	103	~19.8
80	76	131	81	106	119	100	613	113	~23.5
100	94	176	100	119	155	125	685	142	~36.0

Safety Valves

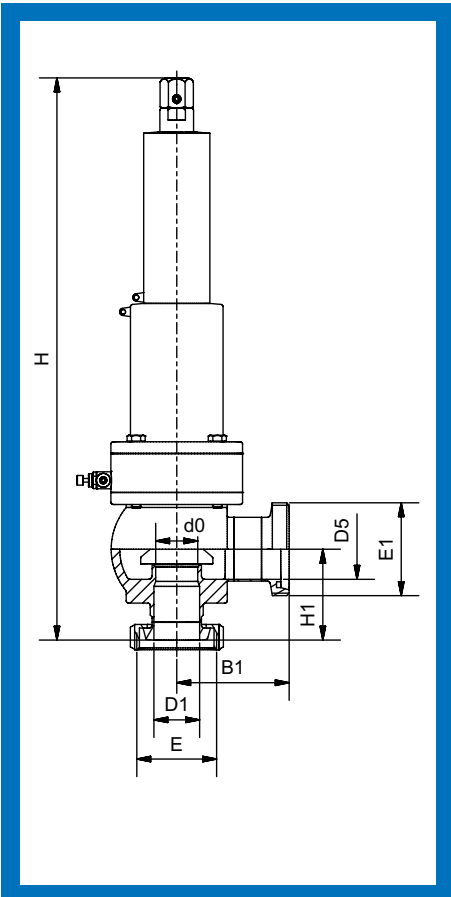
Safety Valve Clamp/Clamp DIN 32676

Standard 1.4404 (316L)/EPDM		with Response 1.4404 (316L)/EPDM		
DN DIN	Price/EUR	Article No.	Price/EUR	Article No.
25	1193.00	4766 050 100	1558.00	4766 050 102
40	1343.00	4766 070 100	1708.00	4766 070 102
50	1445.50	4766 080 100	1810.50	4766 080 102

Safety Valve Clamp/Clamp DIN 32676

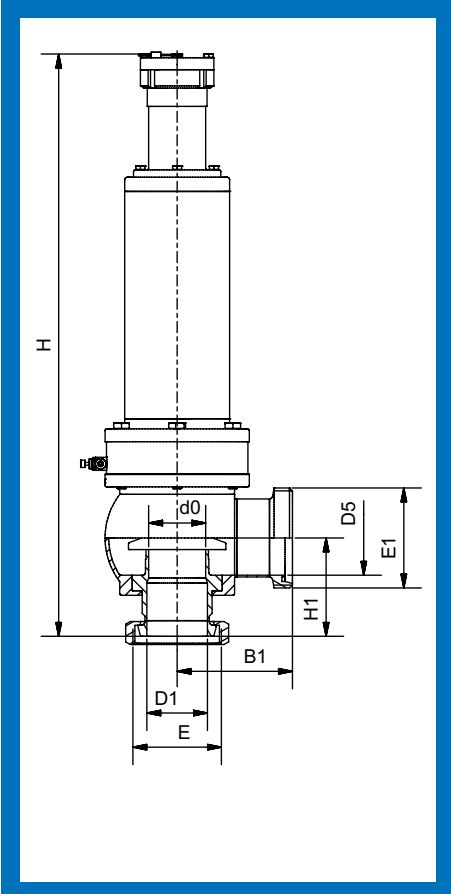
Standard 1.4404 (316L)/EPDM		with Response 1.4404 (316L)/EPDM		
DN DIN	Price/EUR	Article No.	Price/EUR	Article No.
65	1962.00	4766 090 100	2419.00	4766 090 102
80	2422.50	4766 100 100	2879.50	4766 100 102
100	4662.00	4766 120 200	5119.00	4766 120 102

Safety Valves



Safety Valve Liner/Male DIN 11851 with lifting device

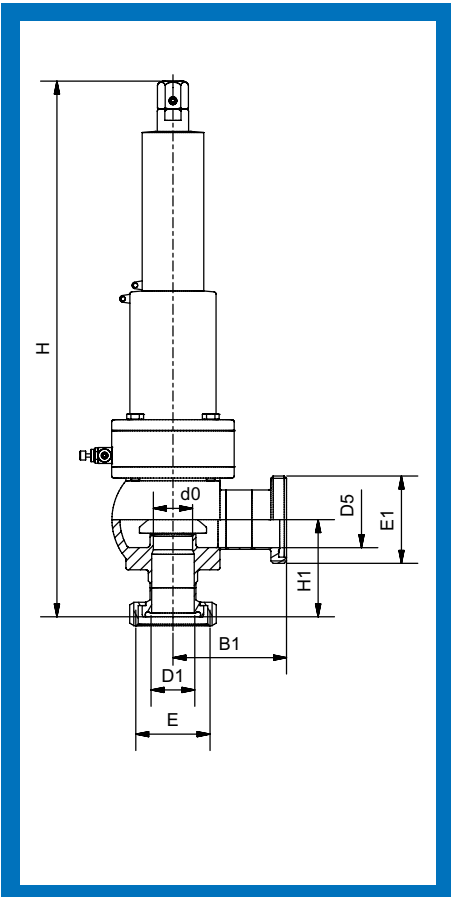
DN DIN	d0	B1	D1	D5	E	E1	H	H1	Weight [kg]
25	24	93.5	26	50	Rd 52x1/6"	Rd.78x1/6"	473	76	~9.6
40	35	93.5	38	50	Rd 65x1/6"	Rd.78x1/6"	473	75.5	~9.7
50	46	105.5	50	66	Rd 78x1/6"	Rd.95x1/6"	504	95	~10.4



Safety Valve Liner/Male DIN 11851 with lifting device

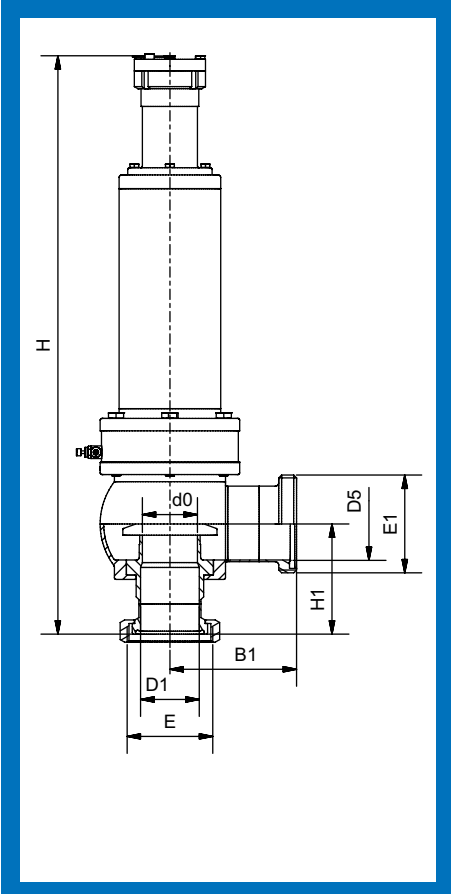
DN DIN	d0	B1	D1	D5	E	E1	H	H1	Weight [kg]
65	62	125.5	66	81	Rd 95x1/6"	Rd.110x1/4"	634	107	~24.6
80	76	145	81	100	Rd 110x1/4"	Rd.130x1/4"	652	117	~29.0
100	94	183.5	100	125	Rd 130x1/4"	Rd.160x1/4"	726	146.5	~43.2

Safety Valves



Safety Valve aseptic Liner/aseptic Male DIN 11864-1 with lifting device

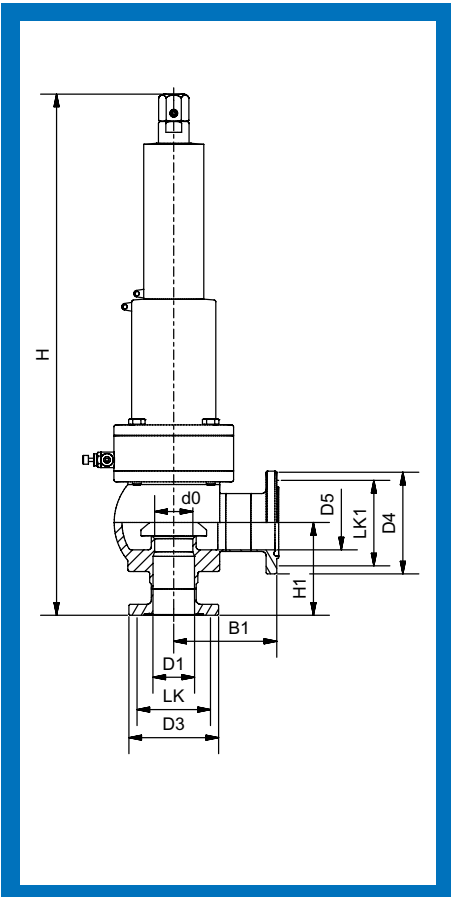
DN DIN	d0	B1	D1	D5	E	E1	H	H1	Weight [kg]
25	24	101.5	26	50	Rd 52x1/6"	Rd.78x1/6"	480	83	~9.6
40	35	101.5	38	50	Rd 65x1/6"	Rd.78x1/6"	484	87	~9.7
50	46	116.5	50	66	Rd 78x1/6"	Rd.95x1/6"	518	109	~10.5



Safety Valve aseptic Liner/aseptic Male DIN 11864-1 with lifting device

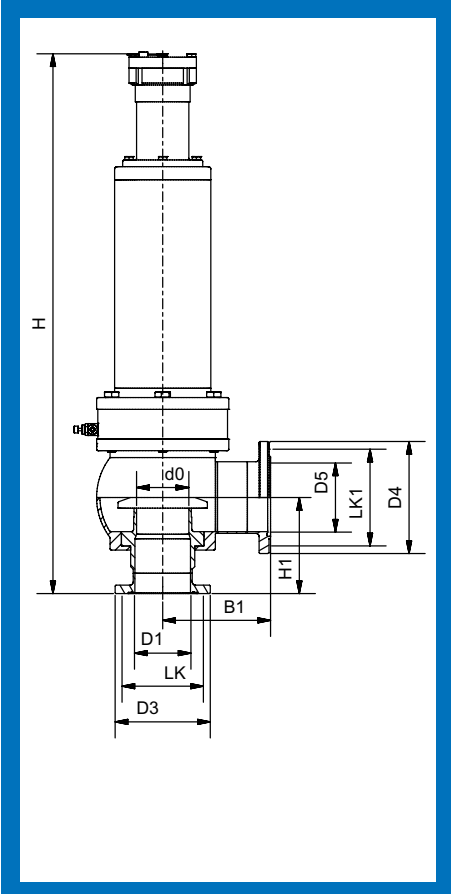
DN DIN	d0	B1	D1	D5	E	E1	H	H1	Weight [kg]
65	62	142.5	66	81	Rd 95x1/6"	Rd.110x1/4"	651	124	~24.7
80	76	165	81	100	Rd 110x1/4"	Rd.130x1/4"	673	138	~29.3
100	94	183	100	125	Rd 130x1/4"	Rd.160x1/4"	752	172.5	~43.5

Sicherheitsventile



Safety Valve Liner/Nut DIN 11864-2 with lifting device

DN DIN	d0	B1	D1	D3	D4	D5	H	H1	LK	LK1	Weight [kg]
25	24	96	26	70	94	50	482	85	53/4x9	77/4x9	~9.8
40	35	96	38	82	94	50	482	85	65/4x9	77/4x9	~9.9
50	46	106	50	94	113	66	512	103	77/4x9	95/8x9	~10.5



Safety Valve Liner/Nut DIN 11864-2 with lifting device

DN DIN	d0	B1	D1	D3	D4	D5	H	H1	LK	LK1	Weight [kg]
65	62	128	66	113	133	81	641	114	95/8x9	112/8x11	~24.7
80	76	142.5	81	133	159	100	661	126	112/8x11	137/8x11	~29.5
100	94	177.5	100	159	183	125	732	152.5	137/8x11	161/8x11	~42.7

Safety Valves

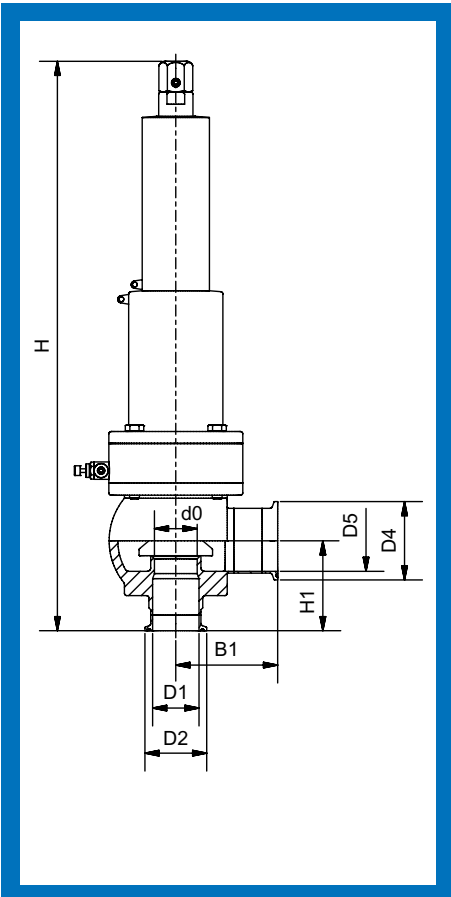
Safety Valve Liner/Nut DIN 11864-2 with lifting device

Standard 1.4404 (316L)/EPDM		with Response 1.4404 (316L)/EPDM		
DN DIN	Price/EUR	Article No.	Price/EUR	Article No.
25	1600.00	4754 050 101	1965.00	4754 050 103
40	1750.00	4754 070 101	2115.00	4754 070 103
50	1862.10	4754 080 101	2227.10	4754 080 103

Safety Valve Liner/Nut DIN 11864-2 with lifting device

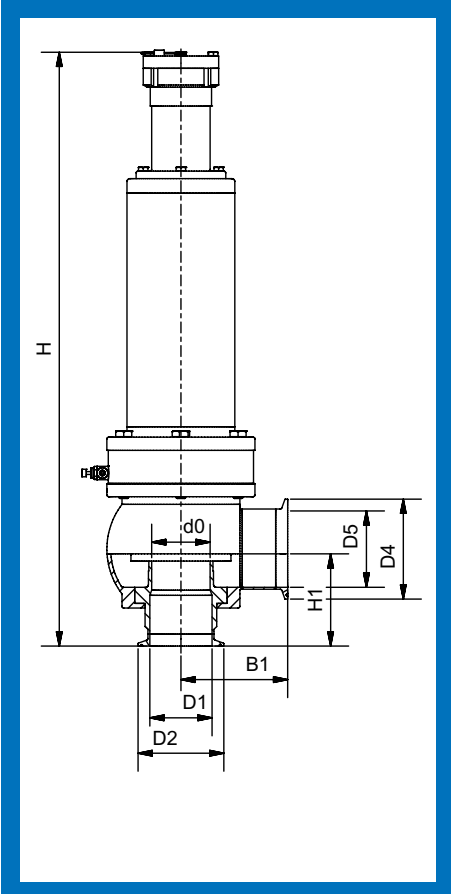
Standard 1.4404 (316L)/EPDM		with Response 1.4404 (316L)/EPDM		
DN DIN	Price/EUR	Article No.	Price/EUR	Article No.
65	2592.40	4754 090 101	3049.40	4754 090 103
80	3067.30	4754 100 101	3524.30	4754 100 103
100	5582.50	4754 120 101	6039.50	4754 120 103

Safety Valves



Safety Valve Clamp/Clamp DIN 32676 with lifting device

DN DIN	B1	d0	D1	D2	D4	D5	H	H1	Weight [kg]
25	83	24	26	50,5	64	50	471	74	~9.3
40	83	35	38	50,5	64	50	471	74	~9.3
50	93	46	50	64	91	66	501	92	~9.8



Safety Valve Clamp/Clamp DIN 32676 with lifting device

DN DIN	B1	d0	D1	D2	D4	D5	H	H1	Weight [kg]
65	113	62	66	91	106	81	630	103	~23.8
80	131	76	81	106	119	100	648	113	~27.7
100	176	94	100	119	155	125	722	142	~41.6

Safety Valves

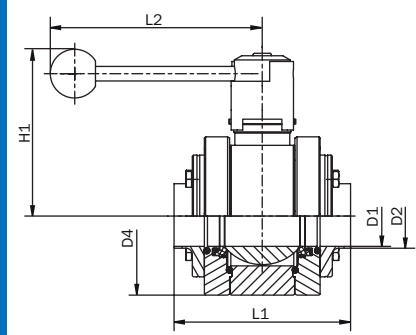
Safety Valve Clamp/Clamp DIN 32676 with lifting device

Standard 1.4404 (316L)/EPDM		with Response 1.4404 (316L)/EPDM		
DN DIN	Price/EUR	Article No.	Price/EUR	Article No.
25	1590.80	4766 050 101	1955.80	4766 050 103
40	1740.80	4766 070 101	2105.80	4766 070 103
50	1843.30	4766 080 101	2208.30	4766 080 103

Safety Valve Clamp/Clamp DIN 32676 with lifting device

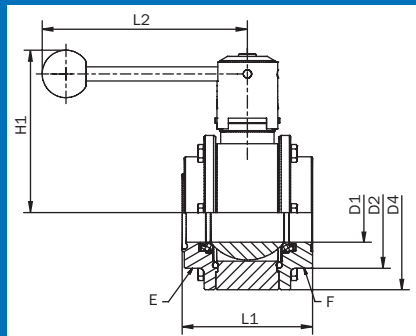
Standard 1.4404 (316L)/EPDM		with Response 1.4404 (316L)/EPDM		
DN DIN	Price/EUR	Article No.	Price/EUR	Article No.
65	2577.50	4766 090 101	3034.50	4766 090 103
80	3038.00	4766 100 101	3495.00	4766 100 103
100	5544.00	4766 120 101	6001.00	4766 120 103

Ball Valves and Accessories



Intermediate Flange Ball Valve DIN

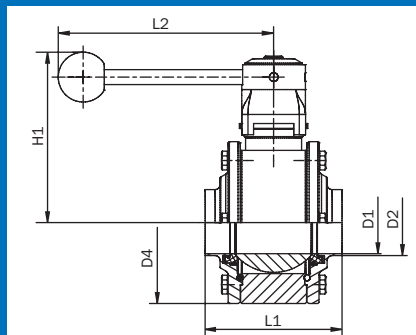
DN DIN	L1	L2	H1	D1	D2	D4	Weight [kg]
40	136	140.5	129	38	41	112	6.71
50	145	173	137	50	53	130	9.69
65	165	173	157	66	70	155	14.97
80	180	217	179	81	85	175	21.11
100	209	217	197	100	104	210	33.84



Ball Valve Collar/Groove DIN 11864-2

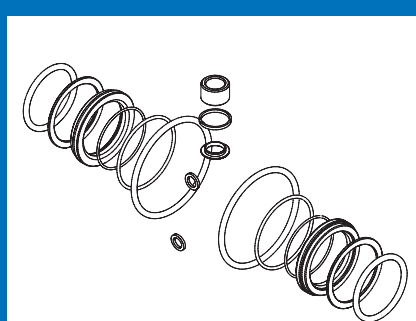
DN DIN	L1	L2	H1	D1	D2	D4	Weight [kg]
40	100	140.5	129	38	82	112	5.67
50	110	173	137	50	94	130	8.16
65	130	173	157	66	113	155	12.58
80	160	217	179	81	133	175	19.14
100	200	217	197	100	159	210	31.99

E - Collar Connection Flange
F - Groove Flange



Ball Valve Weld/Weld DIN

DN DIN	L1	L2	H1	D1	D2	D4	Weight [kg]
40	100	140.5	129	38	41	112	4.85
50	110	173	137	50	53	130	7.13
65	130	173	157	66	70	155	11.34
80	160	217	179	81	85	175	17.02
100	200	217	197	100	104	210	27.94



Seal Set for DIN Ball Valves

DN DIN
40
50
65
80
100

Please contact us regarding selection of the suitable seal set.

Ball Valves and Accessories

Intermediate Flange Ball Valve DIN

DN DIN	manually operated 1.4404 (316L)/1.4409 PTFE/EPDM		VMove® Air/Spring 1.4404 (316L)/1.4409 PTFE/EPDM		VMove® Air/Air 1.4404 (316L)/1.4409 PTFE/EPDM	
	Price/EUR	Article No.	Price/EUR	Article No.	Price/EUR	Article No.
40	560.00	4013 1101 040 30	810.00	4013 2101 040 30	797.00	4013 3101 040 30
50	620.00	4013 1101 050 30	870.00	4013 2101 050 30	857.00	4013 3101 050 30
65	840.00	4013 1101 065 30	1090.00	4013 2101 065 30	1077.00	4013 3101 065 30
80	1270.00	4013 1101 080 30	1817.00	4013 2101 080 30	1757.00	4013 3101 080 30
100	1950.00	4013 1101 100 30	2497.00	4013 2101 100 30	2437.00	4013 3101 100 30

Ball Valve Collar/Groove DIN 11864-2

DN DIN	manually operated 1.4404 (316L)/1.4409 PTFE/EPDM		VMove® Air/Spring 1.4404 (316L)/1.4409 PTFE/EPDM		VMove® Air/Air 1.4404 (316L)/1.4409 PTFE/EPDM	
	Price/EUR	Article No.	Price/EUR	Article No.	Price/EUR	Article No.
40	490.00	4013 1601 040 30	740.00	4013 2601 040 30	727.00	4013 3601 040 30
50	560.00	4013 1601 050 30	810.00	4013 2601 050 30	797.00	4013 3601 050 30
65	770.00	4013 1601 065 30	1020.00	4013 2601 065 30	1007.00	4013 3601 065 30
80	1080.00	4013 1601 080 30	1580.00	4013 2601 080 30	1567.00	4013 3601 080 30
100	1570.00	4013 1601 100 30	2117.00	4013 2601 100 30	2057.00	4013 3601 100 30

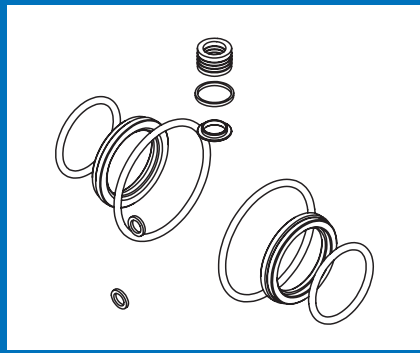
Ball Valve Weld/Weld DIN

DN DIN	manually operated 1.4404 (316L)/1.4409 PTFE/EPDM		VMove® Air/Spring 1.4404 (316L)/1.4409 PTFE/EPDM		VMove® Air/Air 1.4404 (316L)/1.4409 PTFE/EPDM	
	Price/EUR	Article No.	Price/EUR	Article No.	Price/EUR	Article No.
40	420.00	4013 1201 040 30	670.00	4013 2201 040 30	657.00	4013 3201 040 30
50	470.00	4013 1201 050 30	720.00	4013 2201 050 30	707.00	4013 3201 050 30
65	660.00	4013 1201 065 30	850.00	4013 2201 065 30	837.00	4013 3201 065 30
80	950.00	4013 1201 080 30	1397.00	4013 2201 080 30	1337.00	4013 3201 080 30
100	1420.00	4013 1201 100 30	1967.00	4013 2201 100 30	1907.00	4013 3201 100 30

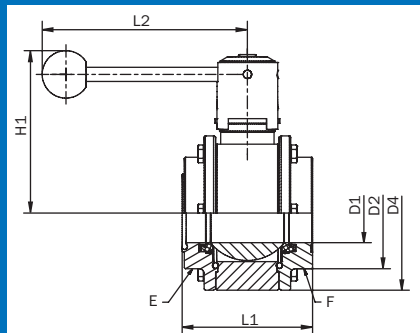
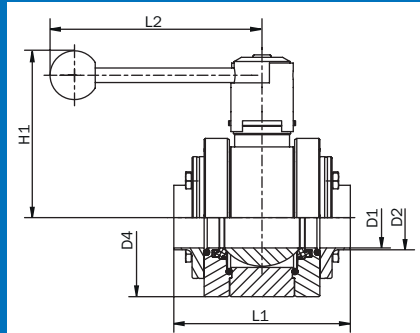
Seal Set for DIN Ball Valves

DN DIN	PTFE/EPDM		PTFE/FKM	
	Price/EUR	Article No.	Price/EUR	Article No.
40	95.28	4013 0101 040 00	187.49	4013 0102 040 00
50	97.15	4013 0101 050 00	187.98	4013 0102 050 00
65	137.28	4013 0101 065 00	229.40	4013 0102 065 00
80	237.69	4013 0101 080 00	325.44	4013 0102 080 00
100	238.58	4013 0101 100 00	321.44	4013 0102 100 00

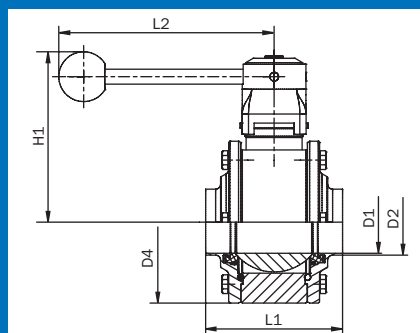
Ball Valves and Accessories



Please contact us regarding selection of the suitable seal set.



E - Collar Connection Flange
F - Groove Flange



Seal Set, e.g. for abrasive and high-viscosity Media for DIN Ball Valves

DN DIN

40
50
65
80
100

Intermediate Flange-Ball Valve Inch

DN Inch	L1	L2	H1	D1	D2	D4	Weight [kg]
1 1/2"	136	140.5	125	34.8	38.1	112	6.86
2"	150	171	137	47.5	50.8	130	10.29
2 1/2"	170	171	149.5	60.2	63.5	155	15.54
3"	188	217	179	72.9	76.2	175	22.81
4"	215	217	197	97.38	101.6	210	35.07

Ball Valve Collar/Groove DIN 11864-2 Inch

DN Inch	L1	L2	H1	D1	D2	D4	Weight [kg]
1 1/2"	91	140.5	125	34.8	79	112	5.43
2"	100	171	137	47.5	92	130	7.83
2 1/2"	122	171	149.5	60.2	107	155	12.37
3"	160	217	179	72.9	125	175	19.68
4"	183	217	197	97.38	157	210	30.82

Ball Valve Weld/Weld Inch

DN Inch	L1	L2	H1	D1	D2	D4	Weight [kg]
1 1/2"	100	140.5	125	34.8	38.1	112	4.92
2"	120	171	137	47.5	50.8	130	7.33
2 1/2"	136	171	149.5	60.2	63.5	155	11.93
3"	168	217	179	72.9	76.2	175	18.37
4"	200	217	197	97.38	101.6	210	28.54

Ball Valves and Accessories

Seal Set, e.g. for abrasive and high-viscosity Media for DIN Ball Valves

PTFE/EPDM			PTFE/FKM	
DN DIN	Price/EUR	Article No.	Price/EUR	Article No.
40	114.35	4013 0201 040 00	224.95	4013 0202 040 00
50	116.60	4013 0201 050 00	225.60	4013 0202 050 00
65	164.75	4013 0201 065 00	275.30	4013 0202 065 00
80	285.25	4013 0201 080 00	390.55	4013 0202 080 00
100	286.30	4013 0201 100 00	385.75	4013 0202 100 00

Intermediate Flange-Ball Valve Inch

manually operated 1.4404 (316L)/1.4409 PTFE/EPDM			VMove® Air/Spring 1.4404 (316L)/1.4409 PTFE/EPDM	
DN Inch	Price/EUR	Article No.	Price/EUR	Article No.
1 1/2"	560.00	4013 1101 057 30	810.00	4013 2101 057 30
2"	620.00	4013 1101 058 30	870.00	4013 2101 058 30
2 1/2"	840.00	4013 1101 059 30	1090.00	4013 2101 059 30
3"	1270.00	4013 1101 060 30	1817.00	4013 2101 060 30
4"	1950.00	4013 1101 062 30	2497.00	4013 2101 062 30

Additional information on the utilization of the ball valves with abrasive and high-viscosity media can be found in the AWH "Valve Technology" brochure.

Ball Valve Collar/Groove DIN 11864-2 Inch

manually operated 1.4404 (316L)/1.4409 PTFE/EPDM			VMove® Air/Spring 1.4404 (316L)/1.4409 PTFE/EPDM	
DN Inch	Price/EUR	Article No.	Price/EUR	Article No.
1 1/2"	490.00	4013 1601 057 30	740.00	4013 2601 057 30
2"	560.00	4013 1601 058 30	810.00	4013 2601 058 30
2 1/2"	770.00	4013 1601 059 30	1020.00	4013 2601 059 30
3"	1080.00	4013 1601 060 30	1580.00	4013 2601 060 30
4"	1570.00	4013 1601 062 30	2117.00	4013 2601 062 30

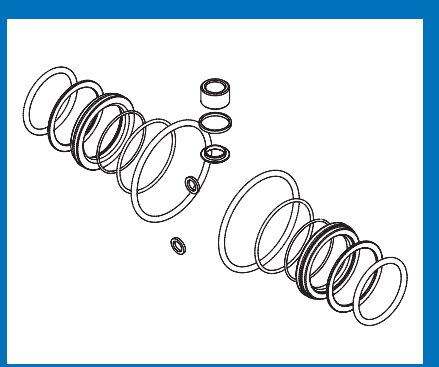
Additional information on the utilization of the ball valves with abrasive and high-viscosity media can be found in the AWH "Valve Technology" brochure.

Ball Valve Weld/Weld Inch

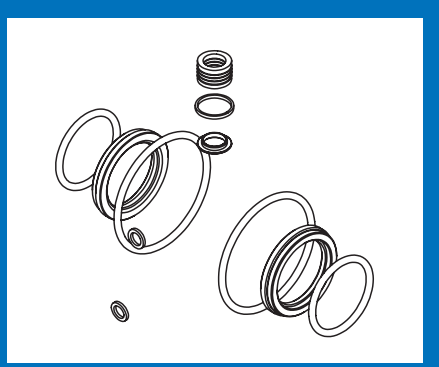
manually operated 1.4404 (316L)/1.4409 PTFE/EPDM			VMove® Air/Spring 1.4404 (316L)/1.4409 PTFE/EPDM	
DN Inch	Price/EUR	Article No.	Price/EUR	Article No.
1 1/2"	420.00	4013 1201 057 30	670.00	4013 2201 057 30
2"	470.00	4013 1201 058 30	720.00	4013 2201 058 30
2 1/2"	660.00	4013 1201 059 30	850.00	4013 2201 059 30
3"	950.00	4013 1201 060 30	1397.00	4013 2201 060 30
4"	1420.00	4013 1201 062 30	1967.00	4013 2201 062 30

Additional information on the utilization of the ball valves with abrasive and high-viscosity media can be found in the AWH "Valve Technology" brochure.

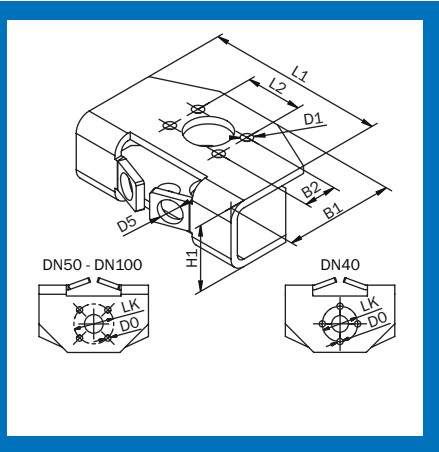
Ball Valves and Accessories



Please contact us regarding selection of the suitable seal set.

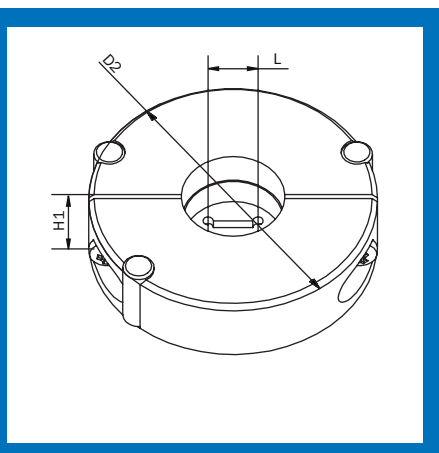


Please contact us regarding selection of the suitable seal set.



Retaining Plate for Ball valves

DN DIN	DN Inch	L1	L2	B1	B2	H1	D1	D5	RC	D0	Weight [kg]
40	1 1/2"	96	30.3	59	17.5	37.5	6	12.5	31	5.5	0.32
50	2"	96	30.3	59	17.5	35.5	6	12.5	35	5.5	0.31
65	2 1/2"	96	30.3	59	17.5	35.5	6	12.5	35	5.5	0.31
80	3"	135	44	78	25.4	50.5	9	12.5	43	9	0.79
100	4"	135	44	78	25.4	50.5	9	12.5	43	9	0.79



Switching Cam for Ball Valves

DN DIN	DN Inch	D2	H1	L	Weight [kg]
40	1 1/2"	55	15	9.5	0.04
50	2"	55	15	9.5	0.04
65	2 1/2"	55	15	9.5	0.04
80	3"	75	20	14	0.06
100	4"	75	20	14	0.06

Ball Valves and Accessories

Seal Set for Inch Ball Valves

PTFE/EPDM			PTFE/FKM	
DN Inch	Price/EUR	Article No.	Price/EUR	Article No.
1 1/2"	95.28	4013 0101 057 00	187.49	4013 0102 057 00
2"	97.15	4013 0101 058 00	187.98	4013 0102 058 00
2 1/2"	137.28	4013 0101 059 00	229.40	4013 0102 059 00
3"	237.69	4013 0101 060 00	325.44	4013 0102 060 00
4"	238.58	4013 0101 062 00	321.44	4013 0102 062 00

Seal Set, e.g. for abrasive and high-viscosity Media for Inch Ball Valves

PTFE/EPDM			PTFE/FKM	
DN Inch	Price/EUR	Article No.	Price/EUR	Article No.
1 1/2"	114.35	4013 0201 057 00	224.95	4013 0202 057 00
2"	116.60	4013 0201 058 00	225.60	4013 0202 058 00
2 1/2"	164.75	4013 0201 059 00	275.30	4013 0202 059 00
3"	285.25	4013 0201 060 00	390.55	4013 0202 060 00
4"	286.30	4013 0201 062 00	385.75	4013 0202 062 00

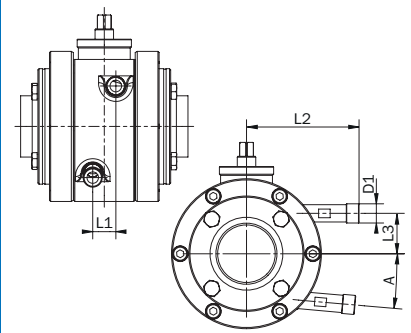
Retaining Plate for Ball valves

1.4301 (304)			
DN DIN	DN Inch	Price/EUR	Article No.
40	1 1/2"	64.50	4013 0004 0191
50	2"	64.50	4013 0005 0191
65	2 1/2"	64.50	4013 0005 0191
80	3"	72.75	4013 0008 0191
100	4"	72.75	4013 0008 0191

Switching Cam for Ball Valves

PTFE			
DN DIN	DN Inch	Price/EUR	Article No.
40	1 1/2"	45.97	4013 0005 030 0
50	2"	45.97	4013 0005 030 0
65	2 1/2"	45.97	4013 0005 030 0
80	3"	49.54	4013 0008 030 0
100	4"	49.54	4013 0008 030 0

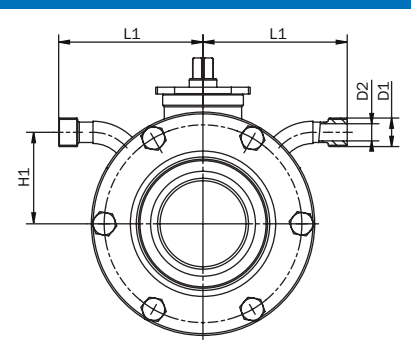
Ball Valves and Accessories



Version optional. Cannot be combined with heatable housing.

Additional Cost of Housing with flushing Connection for Ball Valve

DN DIN	DN Inch	D1	A	L3	L1	L2
40	1 1/2"	G 3/8"	4°	15	26	81.5
50	2"	G 3/8"	5°	20	35	97.5
65	2 1/2"	G 3/8"	5°	30	47.5	102.5
80	3"	G 3/8"	25°	40	58.5	106.5
100	4"	G 3/8"	4°	60	76	111.5



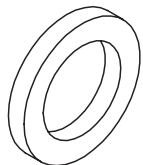
Version optional. Cannot be combined with flushing connection.

Surcharge for heatable Housing for Ball Valve

DN DIN	DN Inch	D1	D2	H1	L1
40	1 1/2"	G 3/8"	10	46.5	77
50	2"	G 3/8"	10	83	84
65	2 1/2"	G 3/8"	10	75.5	84.5
80	3"	G 3/8"	10	53	90
100	4"	G 3/8"	10	107.5	90.5

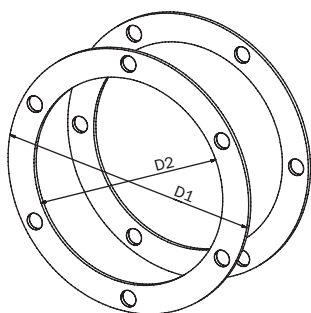
Seal Set, heatable/flushing Connection for Ball Valves

DN DIN	DN Inch
40 - 100	1 1/2" - 4"



Seal Set for Ball Valves with heatable Housing

DN DIN	DN Inch	D1	D2	Weight [kg]
40	1 1/2"	110	82.4	0.016
50	2"	128	100.4	0.020
65	2 1/2"	154	125.4	0.026
80	3"	173	145.4	0.028
100	4"	208	180.4	0.034



Ball Valves and Accessories

Additional Cost of Housing with flushing Connection for Ball Valve

1.4404 (316L)			
DN DIN	DN Inch	Price/EUR	Article No.
40	1 1/2"	155.00	*
50	2"	155.00	*
65	2 1/2"	155.00	*
80	3"	155.00	*
100	4"	155.00	*

For connection screw fittings, see chapter Leakage Butterfly Valves and Accessories.

Surcharge for heatable Housing for Ball Valve

1.4404 (316L)			
DN DIN	DN Inch	Price/EUR	Article No.
40	1 1/2"	150.00	*
50	2"	170.00	*
65	2 1/2"	190.00	*
80	3"	210.00	*
100	4"	230.00	*

For connection screw fittings, see chapter Leakage Butterfly Valves and Accessories.

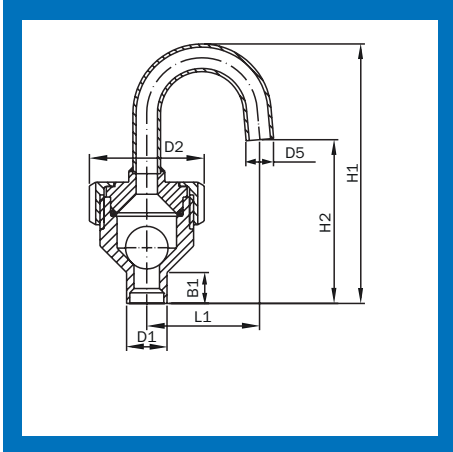
Seal Set, heatable/flushing Connection for Ball Valves

Set (comprised of 8 pieces)/ EPDM			
DN DIN	DN Inch	Price/EUR	Article No.
40 - 100	1 1/2" - 4"	27.35	4013 0011 0000 0

Seal Set for Ball Valves with heatable Housing

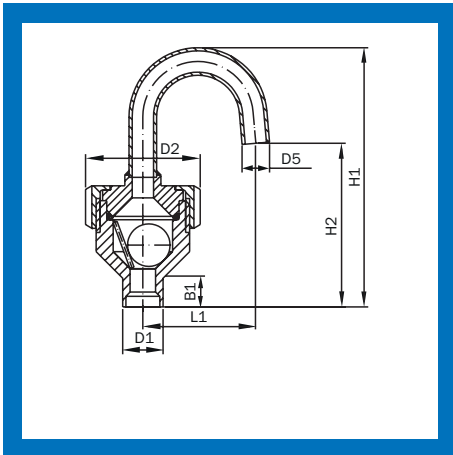
EPDM			
DN DIN	DN Inch	Price/EUR	Article No.
40	1 1/2"	22.14	4014 0000 4000
50	2"	22.14	4014 0000 5000
65	2 1/2"	27.62	4014 0000 6500
80	3"	27.62	4014 0000 8000
100	4"	33.75	4014 0001 0000

Vent and Exhaust Valve and Accessories



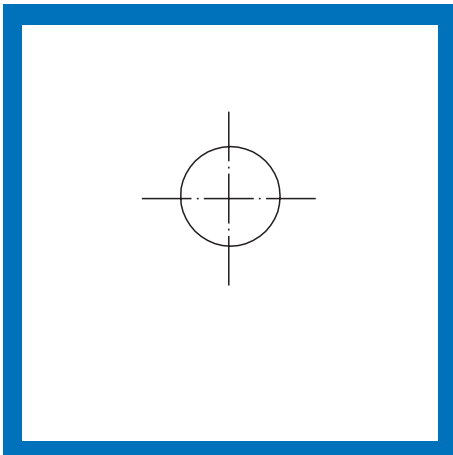
Exhaust Valve

DN DIN	D1	D2	D5	L1	B1	H1	H2	Weight [kg]
15	19 x 1.5	54	12 x 1	53	14.5	122	77	0.47



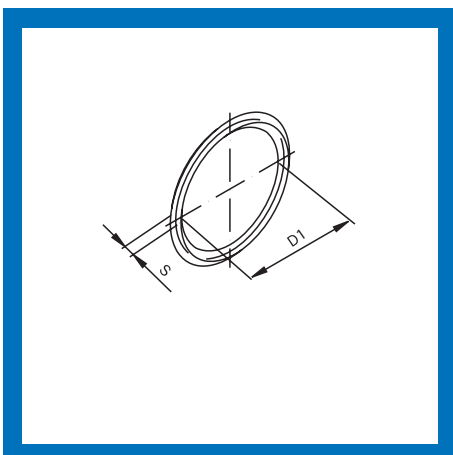
Vent and Exhaust Valve

DN DIN	D1	D2	D5	L1	B1	H1	H2	Weight [kg]
15	19 x 1.5	54	12 x 1	53	14.5	122	77	0.47



Ball for Vent and Exhaust Valve

DN DIN	D2	Weight [kg]
20	20	0.004



Seal Ring for Vent and Exhaust Valve

DN DIN	D1	S	Weight [kg]
25	28	3.5	0.001

Vent and Exhaust Valve and Accessories

Exhaust Valve

1.4404 (316L)/pol.

DN DIN	Price/EUR	Article No.
15	91.00	4301 41 002

Standard construction

The upper and lower sections are bolted with a standard nut. The lower section has a weld connection. The small exhaust pipe on the upper section can be swiveled into any given position.

Product pressure: 10 bar
 Temperature: < 90 °C
 Density of Ball: 0.906 kg/dm³

Vent and Exhaust Valve

1.4404 (316L)/pol.

DN DIN	Price/EUR	Article No.
15	95.00	4401 41 002

Standard construction

The upper and lower sections are bolted with a standard nut. The lower section has a weld connection. The small exhaust pipe on the upper section can be swiveled into any given position.

Product pressure: 10 bar
 Temperature: < 90 °C
 Density of Ball: 0.906 kg/dm³

Ball for Vent and Exhaust Valve

PP

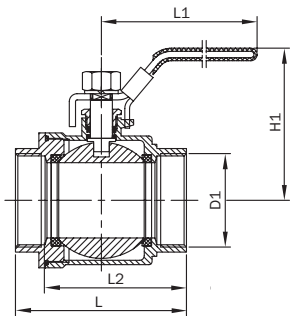
DN DIN	Price/EUR	Article No.
20	10.85	4301 41 042

Seal Ring for Vent and Exhaust Valve

EPDM

DN DIN	Price/EUR	Article No.
25	4.86	1129 00 431

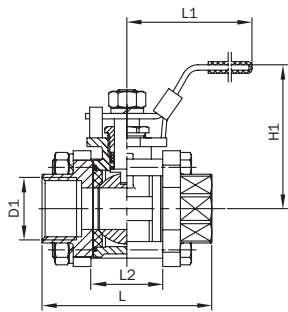
Ball Cocks and Vacuum Valve



inside Ra ≤ 0.8 μm in the passage,
with solid ball and FDA

Ball Cock, 2-pc. Thread/Thread

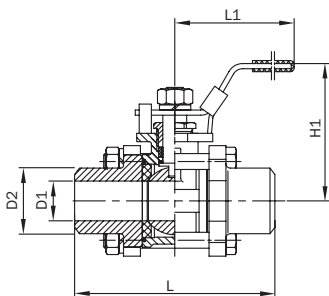
DN Inch	D1	L	H1	L1	L2
1/4"	G 1/4"	48.5	52	102	37
3/8"	G 3/8"	48.5	52	102	37
1/2"	G 1/2"	52	59	117	42.3
3/4"	G 3/4"	60	62	125	47.5
1"	G 1"	72	71	133	57
1 1/4"	G 1 1/4"	87	80	147	69
1 1/2"	G 1 1/2"	96	86	179	80.3
2"	G 2"	108	99	179	90
2 1/2"	G 2 1/2"	136	135	206	114.6
3"	G 3"	164	143	240	138.5



inside Ra ≤ 0.8 μm in the passage,
with solid ball and FDA

Ball Cock, 3-pc. Thread/Thread

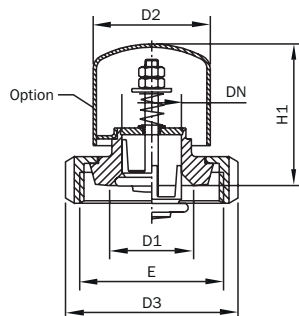
DN Inch	D1	L	H1	L1	L2
1/4"	G 1/4"	67	64	116	21
3/8"	G 3/8"	67	64	116	21
1/2"	G 1/2"	72.5	69	130	26.5
3/4"	G 3/4"	81.5	73	135	32.5
1"	G 1"	89.5	73	143	38.5
1 1/4"	G 1 1/4"	111	80	143	49
1 1/2"	G 1 1/2"	116	87	182	54
2"	G 2"	146	96	182	68.8
2 1/2"	G 2 1/2"	180	129	265	86.5
3"	G 3"	206	141	265	102



inside Ra ≤ 0.8 μm in the passage,
with solid ball and FDA

Ball Cock, 3-pc. Weld/Weld

DN Inch	D1	D2	L	H1	L1
1/4"	12.5	18	67	64	116
3/8"	12.5	18	67	64	116
1/2"	15	22	72.5	69	130
3/4"	20	27	81	73	135
1"	25	34	94.5	73	143
1 1/4"	32	42.5	110	80	143
1 1/2"	38	49	124	87	182
2"	50	62	145	96	182
2 1/2"	65	76	190	129	265
3"	80	91.5	214	141	265
4"	100	115	224	182	290



Vacuum Valve

DN DIN	D1	D2	D3	E	H1	H2	Weight [kg]
25	38	53 x 1.5	78	Rd 65 x 1/6"	68	64	0.64
32	50	70 x 2	92	Rd 78 x 1/6"	76	75	0.96
40	66	70 x 2	112	Rd 95 x 1/6"	83	83	1.38
50	81	85 x 2	127	Rd 110 x 1/4"	88	88	2.00
65	100	104 x 2	148	Rd 130 x 1/4"	112	106	2.92
80	125	129 x 2	178	Rd 160 x 1/6"	124	103	4.55
100	150	154 x 2	210	Rd 190 x 1/4"	122	121	6.07

Ball Cocks and Vacuum Valve

Ball Cock, 2-pc. Thread/Thread

1.4408		
DN Inch	Price/EUR	Article No.
1/4"	8.40	4601 50 00 2
3/8"	8.40	4601 51 00 2
1/2"	9.63	4601 52 00 2
3/4"	13.33	4601 53 00 2
1"	19.71	4601 54 00 2
1 1/4"	34.94	4601 55 00 2
1 1/2"	39.54	4601 57 00 2
2"	63.84	4601 58 00 2
2 1/2"	124.32	4601 59 00 2
3"	178.42	4601 60 00 2

Ball Cock, 3-pc. Thread/Thread

1.4408		
DN Inch	Price/EUR	Article No.
1/4"	12.77	4602 50 00 2
3/8"	12.77	4602 51 00 2
1/2"	17.08	4602 52 00 2
3/4"	23.18	4602 53 00 2
1"	31.08	4602 54 00 2
1 1/4"	45.92	4602 55 00 2
1 1/2"	66.98	4602 57 00 2
2"	87.36	4602 58 00 2
2 1/2"	167.44	4602 59 00 2
3"	240.80	4602 60 00 2

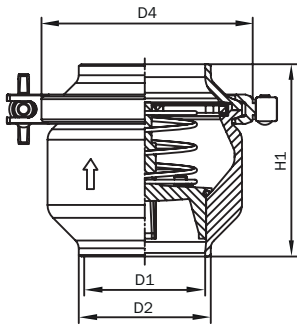
Ball Cock, 3-pc. Weld/Weld

1.4408		
DN Inch	Price/EUR	Article No.
1/4"	12.77	4603 50 00 2
3/8"	12.77	4603 51 00 2
1/2"	17.08	4603 52 00 2
3/4"	23.18	4603 53 00 2
1"	31.08	4603 54 00 2
1 1/4"	45.92	4603 55 00 2
1 1/2"	66.98	4603 57 00 2
2"	87.36	4603 58 00 2
2 1/2"	167.44	4603 59 00 2
3"	240.80	4603 60 00 2
4"	372.00	4603 62 00 2

Vacuum Valve

1.4301 (304)/pol (without cover)		1.4301 (304)/pol (cover)	
DN DIN	Price/EUR	Article No.	Price/EUR
25	99.04	4501 05 001	78.21
32	104.71	4501 06 001	84.75
40	152.88	4501 07 001	86.07
50	160.19	4501 08 001	109.68
65	248.35	4501 09 001	124.62
80	329.53	4501 10 001	136.50
100	432.02	4501 12 001	155.61

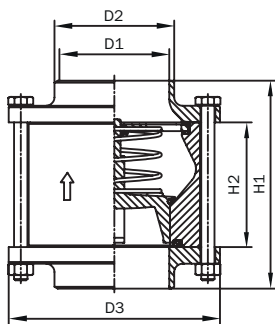
Non-Return Valves



Also available with ATEX certification.

Non-Return Valve Weld/Weld DIN

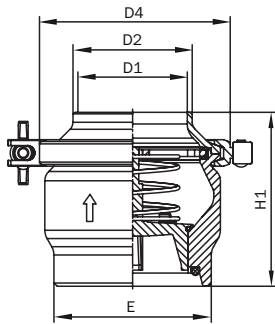
DN DIN	D1	D2	D4	H1	Kv value in m ³ /h	Weight [kg]
25	26	29	64	72	17.3	0.58
32	32	35	77	72	24	0.86
40	38	41	91	80	34.7	1.17
50	50	53	104	90	50	1.55
65	66	70	119	105	106	2.80
80	81	85	145	125	149	3.96
100	100	104	170	140	230	6.50



Also available with ATEX certification.

Intermediate Flange Non-Return Valve DIN

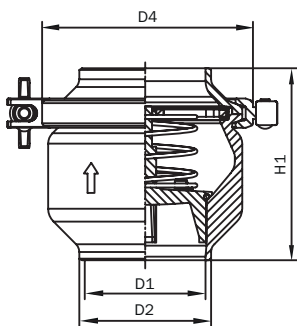
DN DIN	D1	D2	D3	H1	H2	Kv value in m ³ /h	Weight [kg]
15	16	19	87	90	50	n.s.	1.97
20	20	23	87	90	50	n.s.	1.97
25	26	29	87	90	50	17.3	1.90
32	32	35	92	90	50	24	1.92
40	38	41	97	105	55	34.7	2.08
50	50	53	110	114	64	50	2.72
65	66	70	127	125	75	106	3.83
80	81	85	142	150	90	149	7.72
100	100	104	162	160	100	230	10.20



Also available with ATEX certification.

Non-Return Valve Thread/Weld DIN

DN DIN	D1	D2	D4	E	H1	Weight [kg]
10	10	13	64	Rd 52 x 1/6"	72	0.69
15	16	19	64	Rd 52 x 1/6"	72	0.69
20	20	23	64	Rd 52 x 1/6"	72	0.69
25	26	29	64	Rd 52 x 1/6"	72	0.69
32	32	35	64	Rd 58 x 1/6"	72	0.89
40	38	41	91	Rd 65 x 1/6"	83	1.37
50	50	53	104	Rd 78 x 1/6"	93	1.85
65	66	70	119	Rd 95 x 1/6"	105	2.84
80	81	85	145	Rd 110 x 1/4"	125	4.40
100	100	104	170	Rd 130 x 1/4"	140	7.30



Also available with ATEX certification.

Non-Return Valve Weld/Weld Inch

DN Inch	D1	D2	D4	H1	Weight [kg]
1"	22.2	25.4	64	77	0.60
1 1/2"	34.8	38.1	77	72	0.86
2"	47.6	50.8	104	95	1.55
2 1/2"	60.3	63.5	119	110	2.80
3"	72.9	76.1	119	105	3.96
4"	97.4	101.6	170	140	6.50

Non-Return Valves

Non-Return Valve Weld/Weld DIN

1.4301 (304)/pol/EPDM			1.4404 (316L)/pol/EPDM	
DN DIN	Price/EUR	Article No.	Price/EUR	Article No.
25	99.78	4202 05 001	112.92	4202 05 002
32	117.14	4202 06 001	158.83	4202 06 002
40	119.62	4202 07 001	140.32	4202 07 002
50	152.72	4202 08 001	189.33	4202 08 002
65	217.17	4202 09 001	272.16	4202 09 002
80	355.78	4202 10 001	462.51	4202 10 002
100	577.79	4202 12 001	751.27	4202 12 002

Intermediate Flange Non-Return Valve DIN

1.4301 (304)/pol /EPDM			1.4404 (316L)/pol/EPDM	
DN DIN	Price/EUR	Article No.	Price/EUR	Article No.
15			163.55	4203 03 002
20			163.55	4203 04 002
25	99.78	4203 05 001	112.92	4203 05 002
32	117.14	4203 06 001	158.83	4203 06 002
40	119.62	4203 07 001	140.32	4203 07 002
50	152.72	4203 08 001	189.33	4203 08 002
65	178.31	4203 09 001	206.69	4203 09 002
80	321.88	4203 10 001	387.71	4203 10 002
100	447.05	4203 12 001	558.56	4203 12 002

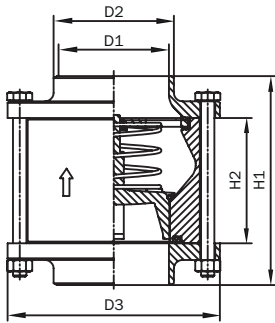
Non-Return Valve Thread/Weld DIN

1.4301 (304)/pol /EPDM			1.4404 (316L)/pol/EPDM	
DN DIN	Price/EUR	Article No.	Price/EUR	Article No.
10	99.78	4201 01 001	112.92	4201 01 002
15	99.78	4201 03 001	112.92	4201 03 002
20	99.78	4201 04 001	112.92	4201 04 002
25	99.78	4201 05 001	112.92	4201 05 002
32	117.14	4201 06 001	158.83	4201 06 002
40	119.62	4201 07 001	140.32	4201 07 002
50	152.72	4201 08 001	189.33	4201 08 002
65	217.17	4201 09 001	272.16	4201 09 002
80	355.78	4201 10 001	462.51	4201 10 002
100	577.79	4201 12 001	751.27	4201 12 002

Non-Return Valve Weld/Weld Inch

1.4301 (304)/pol /EPDM			1.4404 (316L)/pol/EPDM	
DN Inch	Price/EUR	Article No.	Price/EUR	Article No.
1"	99.80	4202 54 001/1	112.95	4202 54 002/1
1 1/2"	117.20	4202 57 001/1	158.85	4202 57 002/1
2"	152.75	4202 58 001/1	189.35	4202 58 002/1
2 1/2"	217.20	4202 59 001/1	272.20	4202 59 002/1
3"	355.80	4202 60 001/1	462.55	4202 60 002/1
4"	577.80	4202 62 001/1	751.30	4202 62 002/1

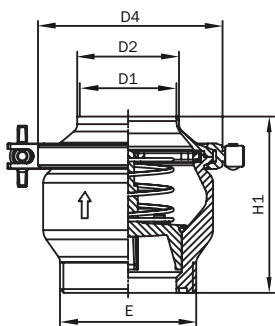
Non-Return Valves



Also available with ATEX certification.

Intermediate Flange Non-Return Valve Inch

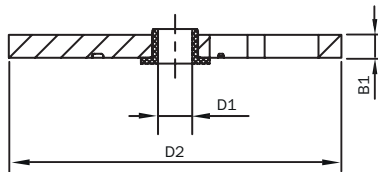
DN Inch	D1	D2	D3	H1	H2	Weight [kg]
1"	22.9	25.4	87	90	50	1.90
1 1/4"	29.3	35	92	90	50	1.92
1 1/2"	35.1	38.1	97	105	55	2.08
2"	47.8	50.8	110	114	64	2.72
2 1/2"	60.5	63.5	127	125	75	3.83
3"	72.1	76.1	142	150	90	7.72
4"	97.6	101.6	162	160	100	10.20



Also available with ATEX certification.

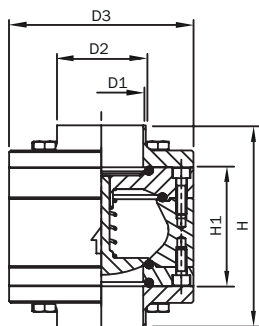
Non-Return Valve Thread/Weld SMS

DN SMS	D1	D2	D4	E	H1	Weight [kg]
25	22.2	25.4	64	Rd 40 x 1/6"	77	0.60
38	34.8	38.1	77	Rd 60 x 1/6"	72	0.86
51	47.6	50.8	104	Rd 70 x 1/6"	95	1.55
63.5	60.3	63.5	119	Rd 85 x 1/6"	110	2.80
76.1	72.9	76.1	119	Rd 98 x 1/6"	105	3.96
101.6	97.4	101.6	170	Rd 132 x 1/6"	140	6.50
104	100	104	170	Rd 125 x 1/4"	140	6.50



Spare part Non-Return Valve (Spring Guide with Plain Bearing)

DN DIN	DIN Inch	DIN SMS	D2	D1	B1	Weight [kg]
25	1"	25	40	6	3	0.014
32	1 1/4"	38	46	6	3	0.016
40	1 1/2"		58	6	4	0.029
50	2"	51	74	8	4	0.044
65	2 1/2"	63.5 - 76.1	89	8	4	0.065
80	3"		108	8	4	0.080
100	4"	101.6 - 104	129	8	4	0.100



Hygienic Intermediate Flange Non-Return Valve DIN

DN DIN	D1	D2	D3	H1	H	Kv value in m ³ /h	Weight [kg]
25	26	29	87	56.5	96.5	11.8	3.16
32	32	35	92	60	100	20.7	3.59
40	38	41	97	63	113	26.2	3.85
50	50	53	110	71	121	45.4	4.83
65	66	70	127	81	131	63	6.81
80	81	85	142	94	154	113.5	9.58
100	100	104	162	97	157	174	11.29

Non-Return Valves

Intermediate Flange Non-Return Valve Inch

1.4301 (304)/pol /EPDM			1.4404 (316L)/pol/EPDM	
DN Inch	Price/EUR	Article No.	Price/EUR	Article No.
1"	99.78	4203 54 001	112.92	4203 54 002
1 1/4"	117.14	4203 55 001	158.83	4203 55 002
1 1/2"	119.62	4203 57 001	140.32	4203 57 002
2"	152.72	4203 58 001	189.33	4203 58 002
2 1/2"	178.31	4203 59 001	206.69	4203 59 002
3"	321.88	4203 60 001	387.71	4203 60 002
4"	447.05	4203 62 001	558.56	4203 62 002

Non-Return Valve Thread/Weld SMS

1.4301 (304)/pol /EPDM			1.4404 (316L)/pol/EPDM	
DN SMS	Price/EUR	Article No.	Price/EUR	Article No.
25	99.80	4201 91 001/1	112.95	4201 91 002/1
38	117.20	4201 92 001/1	158.85	4201 92 002/1
51	152.75	4201 93 001/1	189.35	4201 93 002/1
63.5	217.20	4201 94 001/1	272.20	4201 94 002/1
76.1	355.80	4201 95 001/1	462.55	4201 95 002/1
101.6	577.80	4201 96 001/1	751.30	4201 96 002/1
104	577.80	4201 97 001/1	751.30	4201 97 002/1

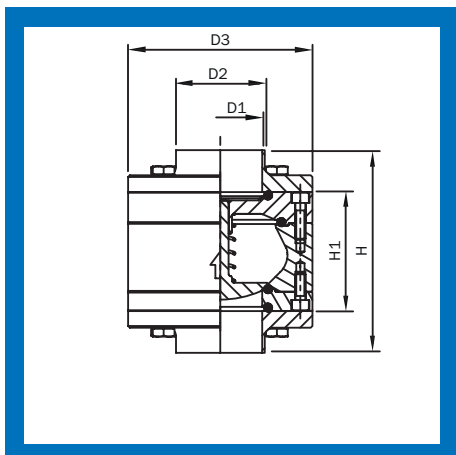
Spare part Non-Return Valve (Spring Guide with Plain Bearing)

1.4404 (316L)/pol		
DN DIN	Price/EUR	Article No.
25	12.15	4210 051 72
32	14.45	4210 061 72
40	14.80	4210 071 72
50	19.10	4210 081 72
65	20.10	4210 091 72
80	26.40	4210 101 72
100	30.50	4210 121 72

Hygienic Intermediate Flange Non-Return Valve DIN

1.4404 (316L)/pol /EPDM			1.4404 (316L)/pol/FKM	
DN DIN	Price/EUR	Article No.	Price/EUR	Article No.
25	229.50	4213 050 02/1	254.50	4213 050 02/2
32	255.50	4213 060 02/1	280.50	4213 060 02/2
40	278.50	4213 070 02/1	303.50	4213 070 02/2
50	333.50	4213 080 02/1	358.50	4213 080 02/2
65	470.00	4213 090 02/1	495.00	4213 090 02/2
80	735.30	4213 100 02/1	760.30	4213 100 02/2
100	1089.00	4213 120 02/1	1119.00	4213 120 02/2

Non-Return Valves



Hygienic Intermediate Flange Non-Return Valve Inch

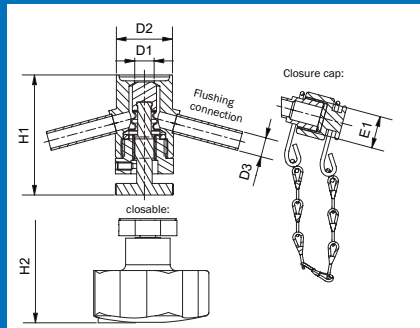
DN Inch	D1	D2	D3	H1	H	Kv value in m ³ /h	Weight [kg]
1"	22.2	25.4	87	56.5	96.5	10.1	3.19
1 1/2"	34.8	38.1	97	63	113	18.9	3.89
2"	47.6	50.8	110	71	121	43.2	4.84
2 1/2"	60.3	63.5	127	81	131	58.6	6.82
3"	72.1	76.1	142	94	154	102.3	9.76
4"	97.4	101.6	162	97	157	169.5	11.33

Non-Return Valves

Hygienic Intermediate Flange Non-Return Valve Inch

1.4404 (316L)/pol /EPDM		1.4404 (316L)/pol /FKM		
DN Inch	Price/EUR	Article No.	Price/EUR	Article No.
1"	229.50	4213 540 02/1	254.50	4213 540 02/2
1 1/2"	278.50	4213 570 02/1	303.50	4213 570 02/2
2"	333.50	4213 580 02/1	358.50	4213 580 02/2
2 1/2"	470.00	4213 590 02/1	495.00	4213 590 02/2
3"	735.30	4213 600 02/1	760.30	4213 600 02/2
4"	1089.00	4213 620 02/1	1119.00	4213 620 02/2

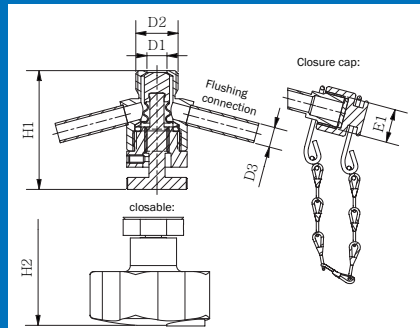
Sampling Valves and Accessories



with flushing connection 2 closing flaps

Sampling Valve Pipe Connection

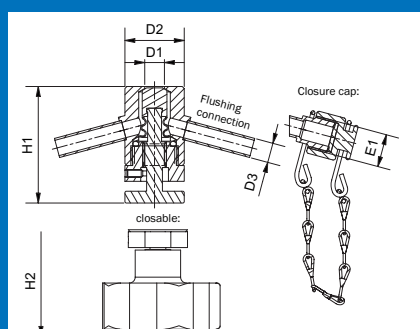
D2	D1	D3	E1	H1	H2	Weight [kg]
no flushing connection						
29 x 1,5	10	10		62		0.28
29 x 1,5	10	10	3/8"	62		0.34
29 x 1,5	10	10		62	96	0.33
29 x 1,5	10	10	3/8"	62	96	0.39
with flushing connection						
29 x 1,5	10	10		62		0.29
29 x 1,5	10	10	3/8"	62		0.40
29 x 1,5	10	10		62	96	0.34
29 x 1,5	10	10	3/8"	62	96	0.45



with flushing connection 2 closing flaps

Sampling Valve Threads Connection

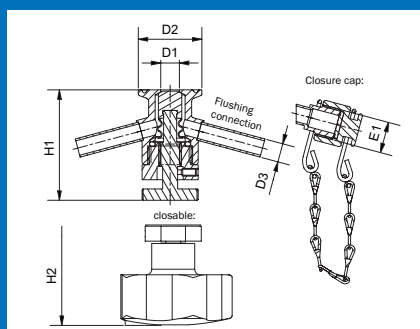
E	D1	D3	E1	H1	H2	Weight [kg]
no flushing connection						
G 1/2"	10	10		59		0.24
G 1/2"	10	10	3/8"	59		0.30
G 1/2"	10	10		59	93	0.29
G 1/2"	10	10	3/8"	59	93	0.39
with flushing connection						
G 1/2"	10	10		59		0.24
G 1/2"	10	10	3/8"	59		0.38
G 1/2"	10	10		59	93	0.30
G 1/2"	10	10	3/8"	59	93	0.41



with flushing connection 2 closing flaps

Sampling Valve Tank Connection

D2	D1	D3	E1	H1	H2	Weight [kg]
no flushing connection						
30	10	10		59		0.28
30	10	10	3/8"	59		0.34
30	10	10		59	93	0.36
30	10	10	3/8"	59	93	0.39
with flushing connection						
30	10	10		59		0.29
30	10	10	3/8"	59		0.40
30	10	10		59	93	0.34
30	10	10	3/8"	59	93	0.45



with flushing connection 2 closing flaps

Sampling Valve Clamp Connection TC25

D2	D1	D3	E1	H1	H2	Weight [kg]
no flushing connection						
25	10	10		59		0.23
25	10	10	3/8"	59		0.29
25	10	10		59	94	0.28
25	10	10	3/8"	59	94	0.34
with flushing connection						
25	10	10		59		0.24
25	10	10	3/8"	59		0.35
25	10	10		59	94	0.29
25	10	10	3/8"	59	94	0.40

Sampling Valves and Accessories

Sampling Valve Pipe Connection

D2	1.4404 (316L)		1.4404 (316L) with closing flaps		1.4404 (316L) lockable		1.4404 (316L) with closing flaps and lockable	
	Price/EUR	Article No.	Price/EUR	Article No.	Price/EUR	Article No.	Price/EUR	Article No.
no flushing connection								
29 x 1,5	105.00	4130 43 002						
29 x 1,5			195.10	4171 51 002				
29 x 1,5					180.75	4191 00 002		
29 x 1,5							270.10	41A1 51 002
with flushing connection								
29 x 1,5	133.50	4130 43 202						
29 x 1,5			259.80	4171 51 202				
29 x 1,5					215.75	4191 00 202		
29 x 1,5							334.80	41A1 51 202

Sampling Valve Threaded Connection

D2	1.4404 (316L)		1.4404 (316L) with closing flaps		1.4404 (316L) lockable		1.4404 (316L) with closing flaps and lockable	
	Price/EUR	Article No.	Price/EUR	Article No.	Price/EUR	Article No.	Price/EUR	Article No.
no flushing connection								
G 1/2"	105.00	4131 01 002						
G 1/2"			195.10	4172 51 002				
G 1/2"					180.75	4192 00 002		
G 1/2"							270.10	41A2 51 002
with flushing connection								
G 1/2"	133.50	4131 01 202						
G 1/2"			259.80	4172 51 202				
G 1/2"					215.75	4192 00 202		
G 1/2"							334.80	41A2 51 202

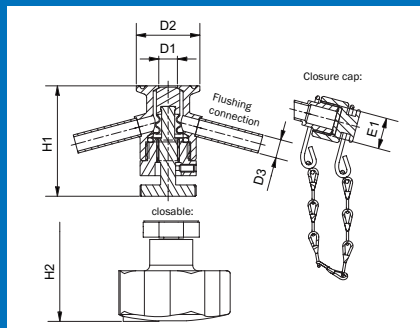
Sampling Valve Tank Connection

D2	1.4404 (316L)		1.4404 (316L) with closing flaps		1.4404 (316L) lockable		1.4404 (316L) with closing flaps and lockable	
	Price/EUR	Article No.	Price/EUR	Article No.	Price/EUR	Article No.	Price/EUR	Article No.
no flushing connection								
30	105.00	4132 01 002						
30			195.10	4173 51 002				
30					180.75	4193 00 002		
30							270.10	41A3 51 002
with flushing connection								
30	133.50	4132 01 202						
30			259.80	4173 51 202				
30					215.75	4193 00 202		
30							334.80	41A3 51 202

Sampling Valve Clamp Connection TC25

D2	1.4404 (316L)		1.4404 (316L) with closing flaps		1.4404 (316L) lockable		1.4404 (316L) with closing flaps and lockable	
	Price/EUR	Article No.	Price/EUR	Article No.	Price/EUR	Article No.	Price/EUR	Article No.
no flushing connection								
25	138.50	4136 01 002						
25			195.10	4176 51 002				
25					180.75	4196 00 0002		
25							270.10	41A6 51 002
with flushing connection								
25	167.60	4136 01 202						
25			259.80	4176 51 202				
25					215.75	4196 00 202		
25							334.80	41A6 51 202

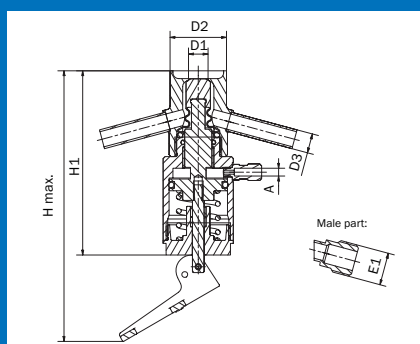
Sampling Valves and Accessories



with flushing connection 2 closing flaps

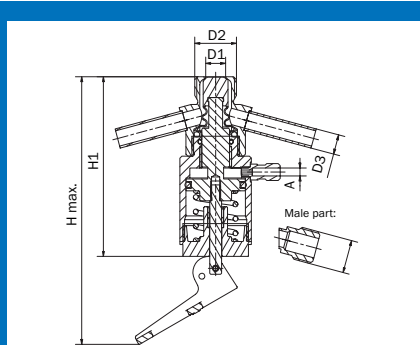
Sampling Valve Clamp Connection TC34

D2	D1	D3	E1	H1	H2	Weight [kg]
no flushing connection						
34	10	10		59		0.28
34	10	10	3/8"	59		0.34
34	10	10		59	94	0.31
34	10	10	3/8"	59	94	0.38
with flushing connection						
34	10	10		59		0.29
34	10	10	3/8"	59		0.40
34	10	10		59	94	0.31
34	10	10	3/8"	59	94	0.42



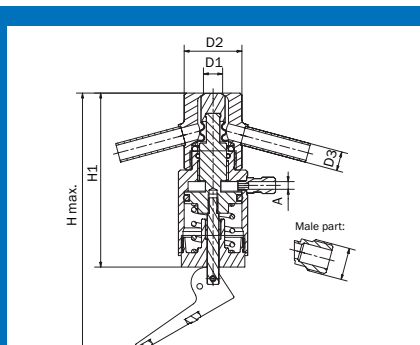
Pneumatic Sampling Valve Pipe Connection

D2	A	D1	D3	E1	H	H1	Weight [kg]
no flushing connection							
29 x 1,5	4	10	10		139	94.5	0.49
29 x 1,5	4	10	10	3/8"	139	94.5	0.50
with flushing connection							
29 x 1,5	4	10	10		139	94.5	0.49
29 x 1,5	4	10	10	3/8"	139	94.5	0.51



Pneumatic Sampling Valve Threaded Connection

E	A	D1	D3	E1	H	H1	Weight [kg]
no flushing connection							
G 1/2"	4	10	10		135	90.5	0.45
G 1/2"	4	10	10	3/8"	135	90.5	0.48
with flushing connection							
G 1/2"	4	10	10		135	90.5	0.45
G 1/2"	4	10	10	3/8"	135	90.5	0.47



Pneumatic Sampling Valve Tank Connection

E	A	D1	D3	E1	H	H1	Weight [kg]
no flushing connection							
G 1/2"	4	10	10		135	90.5	0.49
G 1/2"	4	10	10	30	135	90.5	0.50
with flushing connection							
G 1/2"	4	10	10		135	90.5	0.49
G 1/2"	4	10	10	30	135	90.5	0.51

Sampling Valves and Accessories

Sampling Valve Clamp Connection TC34

D2	1.4404 (316L)		1.4404 (316L) with closing flaps		1.4404 (316L) lockable		1.4404 (316L) with closing flaps and lockable	
	Price/EUR	Article No.	Price/EUR	Article No.	Price/EUR	Article No.	Price/EUR	Article No.
no flushing connection								
34	138.50	4134 01 002						
34			195.10	4174 51 002				
34					180.75	4194 00 002		
34							270.10	41A4 51 002
with flushing connection								
34	167.00	4134 01 202						
34			259.80	4174 51 202				
34					215.75	4194 00 202		
34							334.80	41A4 51 202

Pneumatic Sampling Valve Pipe Connection

D2	1.4404 (316L)		1.4404 (316L) with threaded pipes	
	Price/EUR	Article No.	Price/EUR	Artikel-Nr.
no flushing connection				
29 x 1,5	369.00	4161 00 002		
29 x 1,5			407.85	4181 51 002
with flushing connection				
29 x 1,5	399.00	4161 00 202		
29 x 1,5			437.85	4181 51 202

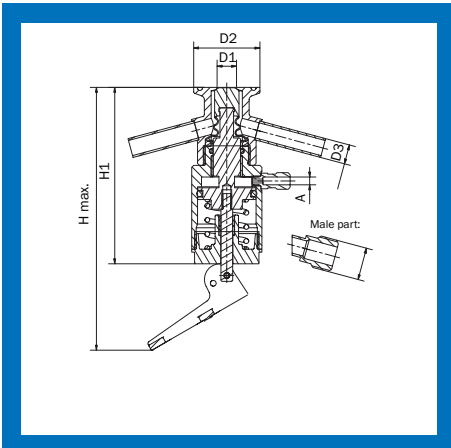
Pneumatic Sampling Valve Threaded Connection

D2	1.4404 (316L)		1.4404 (316L) with threaded pipes	
	Price/EUR	Article No.	Price/EUR	Article No.
no flushing connection				
G 1/2"	369.00	4162 00 002		
G 1/2"			407.85	4182 51 002
with flushing connection				
G 1/2"	399.00	4162 00 202		
G 1/2"			437.85	4182 51 202

Pneumatic Sampling Valve Tank Connection

D2	1.4404 (316L)		1.4404 (316L) with threaded pipes	
	Price/EUR	Article No.	Price/EUR	Article No.
no flushing connection				
G 1/2"	369.00	4163 00 002		
G 1/2"			407.85	4183 51 002
with flushing connection				
G 1/2"	399.00	4163 00 202		
G 1/2"			437.85	4183 51 202

Sampling Valves and Accessories



Pneumatic Sampling Valve Clamp Connection

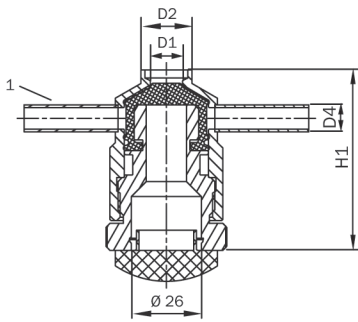
D2	A	D1	D3	E1	H	H1	Weight [kg]
no flushing connection							
25	4	10	10		135	90.5	0.44
25	4	10	10	3/8"	135	90.5	0.45
34	4	10	10		135	90.5	0.46
34	4	10	10	3/8"	135	90.5	0.48
with flushing connection							
25	4	10	10		135	90.5	0.45
25	4	10	10	3/8"	135	90.5	0.47
34	4	10	10		135	90.5	0.47
34	4	10	10	3/8"	135	90.5	0.49

Sampling Valves and Accessories

Pneumatic Sampling Valve Clamp Connection

D2	1.4404 (316L)		1.4404 (316L) with threaded pipes	
	Price/EUR	Article No.	Price/EUR	Article No.
no flushing connection				
25	369.00	4166 00 002		
25			407.85	4186 51 002
34	369.00	4164 00 002		
34			407.85	4184 51 002
with flushing connection				
25	399.00	4166 00 202		
25			437.85	4186 51 202
34	399.00	4164 00 202		
34			437.85	4184 51 202

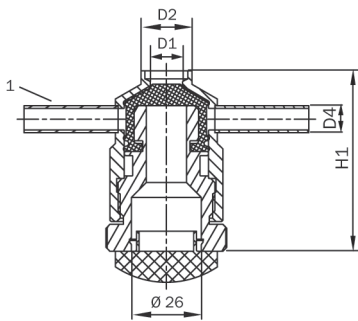
Sampling Valves and Accessories



1 - optional flushing connection

Sampling Valve Vario Pipe Connection

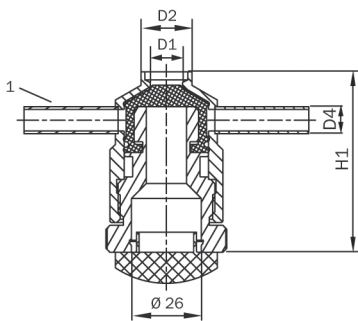
D2	D1	D4	H1	Weight [kg]	1.4404 (316L) / VMQ		1.4404 (316L) / VMQ with flushing connection	
					Price/EUR	Article No.	Price/EUR	Article No.
19 x 1,5	12	10 x 1	67	0.42	99.95	4141 030 02/0	128.45	4141 032 02/0
41 x 1,5	12	10 x 1	71	0.51	99.95	4141 070 02/0	128.45	4141 072 02/0



1 - optional flushing connection

Sampling Valve Vario Pipe Connection

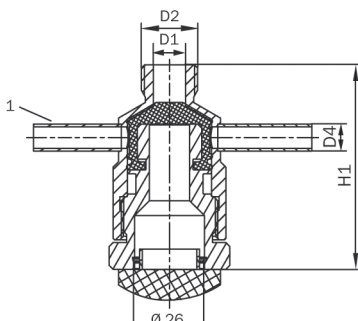
D2	D1	D4	H1	Weight [kg]	1.4404 (316L) / EPDM		1.4404 (316L) / EPDM with flushing connection	
					Price/EUR	Article No.	Price/EUR	Article No.
19 x 1,5	12	10 x 1	67	0.42	99.95	4141 030 02/1	128.45	4141 032 02/1
41 x 1,5	12	10 x 1	71	0.51	99.95	4141 070 02/1	128.45	4141 072 02/1



1 - optional flushing connection

Sampling Valve Vario Pipe Connection

D2	D1	D4	H1	Weight [kg]	1.4404 (316L) / FKM		1.4404 (316L) / FKM with flushing connection	
					Price/EUR	Article No.	Price/EUR	Article No.
19 x 1,5	12	10 x 1	67	0.42	105.10	4141 030 02/2	133.60	4141 032 02/2
41 x 1,5	12	10 x 1	71	0.51	105.10	4141 070 02/2	133.60	4141 072 02/2

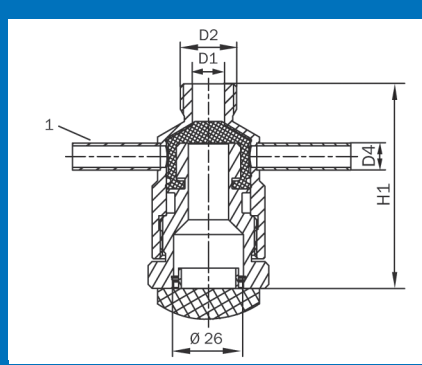


1 - optional Spülanschluss

Sampling Valve Vario Threaded Connection

D2	D1	D4	H1	Weight [kg]	1.4404 (316L) / VMQ		1.4404 (316L) / VMQ with flushing connection	
					Price/EUR	Article No.	Price/EUR	Article No.
G 1/2"	12	10 x 1	76	0.43	129.95	4142 000 02/0	158.45	4142 002 02/0

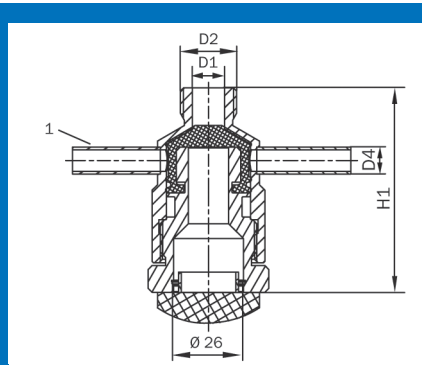
Sampling Valves and Accessories



1 - optional flushing connection

Sampling Valve Vario Threaded Connection

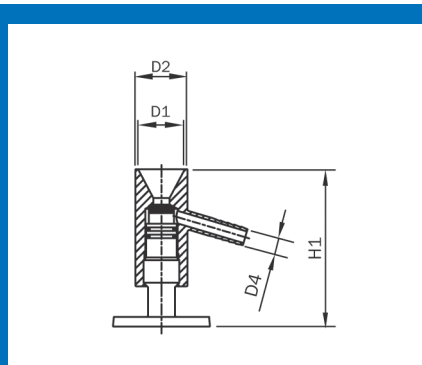
D2	D1	D4	H1	Weight [kg]	1.4404 (316L) / EPDM		1.4404 (316L) / EPDM with flushin connection	
					Price/EUR	Article No.	Price/EUR	Article No.
G 1/2"	12	10 x 1	76	0.43	129.95	4142 000 02/1	158.45	4142 002 02/1



1 - optional flushing connection

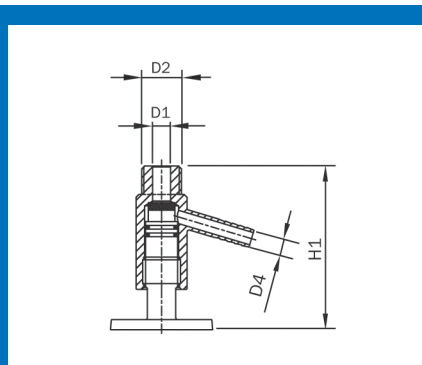
Sampling Valve Vario Threaded Connection

D2	D1	D4	H1	Weight [kg]	1.4404 (316L) / FKM		1.4404 (316L) / FKM with flushing connection	
					Price/EUR	Article No.	Price/EUR	Article No.
G 1/2"	12	10 x 1	76	0.43	135.10	4142 000 02/2	163.60	4142 002 02/2



ECO Sampling Valve Pipe Connection

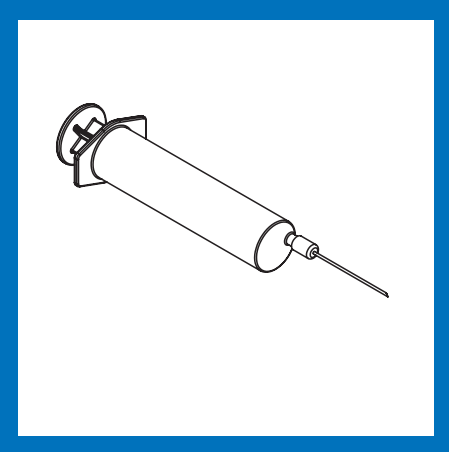
D2	D1	D4	H1	Weight [kg]	1.4404 (316L)	
					Price/EUR	Article No.
29	26	10	87.5	0.36	59.80	4150 05 002



ECO Sampling Valve Threades Connection

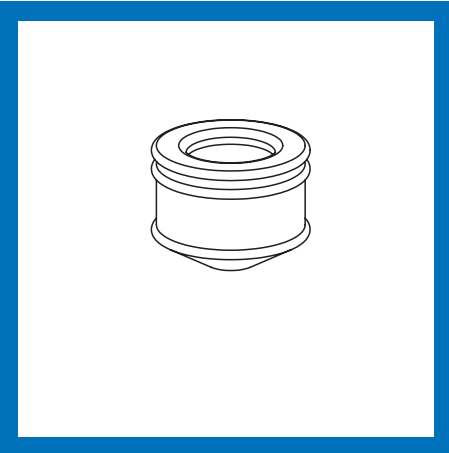
D2	D1	D4	H1	Weight [kg]	1.4404 (316L)	
					Price/EUR	Article No.
G 1/2"	9.5	10	87.5	0.31	59.80	4151 01 002

Sampling Valves and Accessories



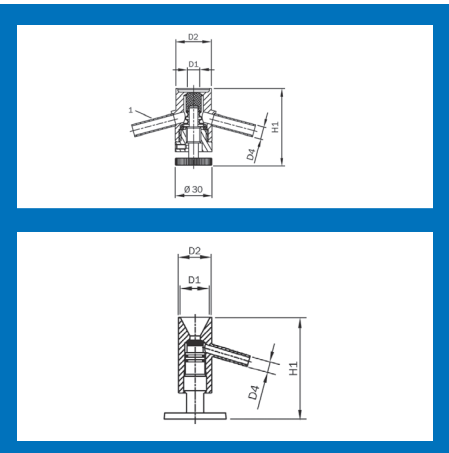
Disposable Syringe with take-up Cannula

DN	Weight [kg]	Set (consisting of 5 pieces)	
		Price/EUR	Article No.
20 ml	0.11	23.50	4141 001 00



Gasket for Sampling Valve Vario

DN DIN	DN Zoll	Weight [kg]	VMQ		EPDM		FKM	
			Price/EUR	Article No.	Price/EUR	Article No.	Price/EUR	Article No.
15 - 40	1/2"	0.01	7.20	4140 00150 100	7.20	4140 00150 101	12.35	4140 00150 102



Spare Parts Sampling Valves EHEDG and ECO

Description	Price/EUR	Article No.
Spare Parts Sampling Valves EHEDG		
Gasket for Sampling Valves EHEDG	39.70	4110 000 44
O-Ring for stirele screwed connection 16,0 x 3,0 EPDM	1.18	1060 5000 01601
Spare Parts Sampling Valves ECO		
PTFE Plug for Sampling Valve ECO	6.15	4150 000 44
O-Ring 16,0 x 1,4 EPDM	3.10	1060 5000 01609



Armaturenwerk Hötensleben GmbH
 Schulstr. 5 - 6
 D-39393 Hötensleben, Germany

Tel: +49 39405 92-0
 Fax: +49 39405 92-111
 E-mail: info@awh.eu
 http://www.awh.eu

NEUMO Ehrenberg Group

